

PLP PULLDOWN FAUCET INSTALLATION INSTRUCTIONS

Pulldown Model #s:

5300 5200

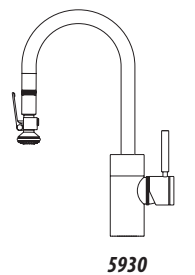
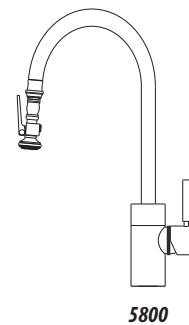
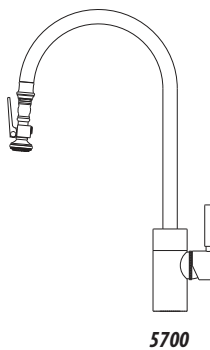
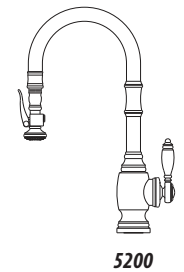
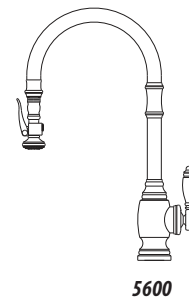
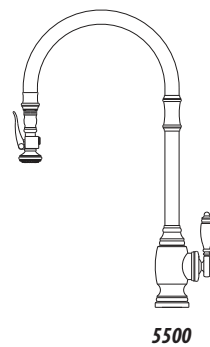
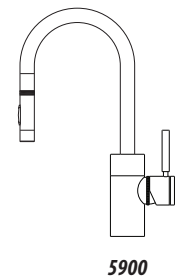
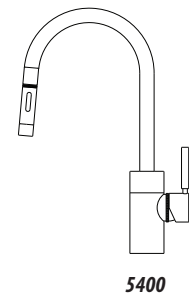
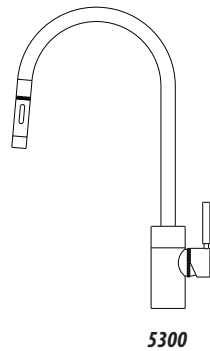
5400 5900

5500 5930

5600

5700

5800



BEFORE YOU BEGIN YOUR INSTALLATION:



Turn off water supply.



Observe all local plumbing codes.



Inspect waste and water supplies for signs of damage. Replace as necessary.



DO NOT use petroleum based products on this faucet.

REQUIRED TOOLS:



1. Adjustable Wrench



2. Phillips Screwdriver

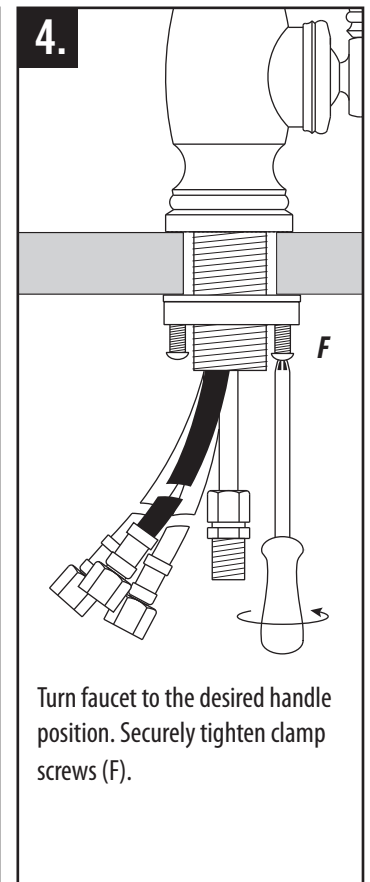
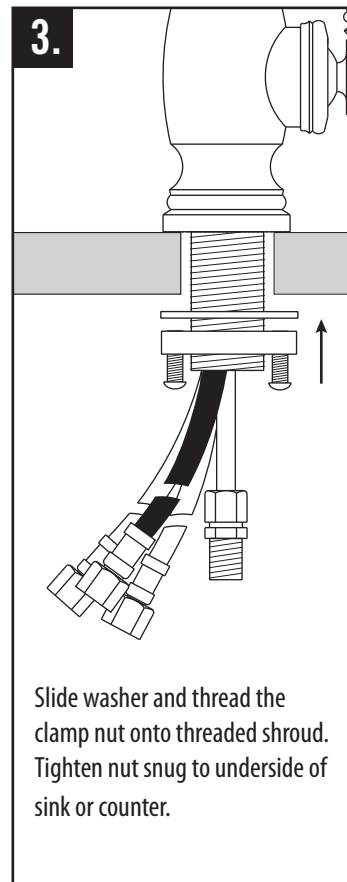
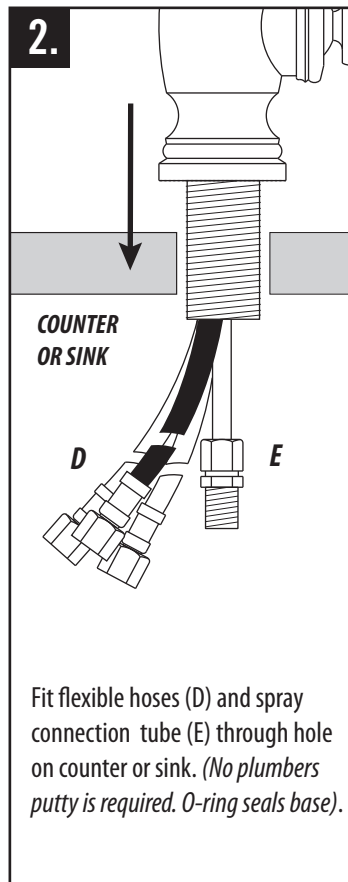
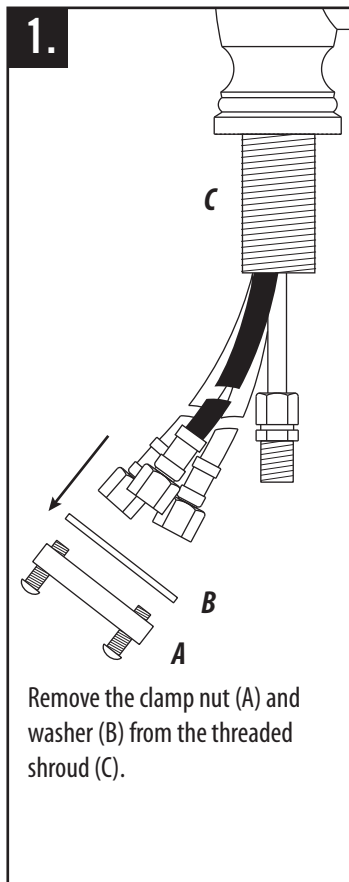
PARTS INCLUDED:

**XX represents finish*

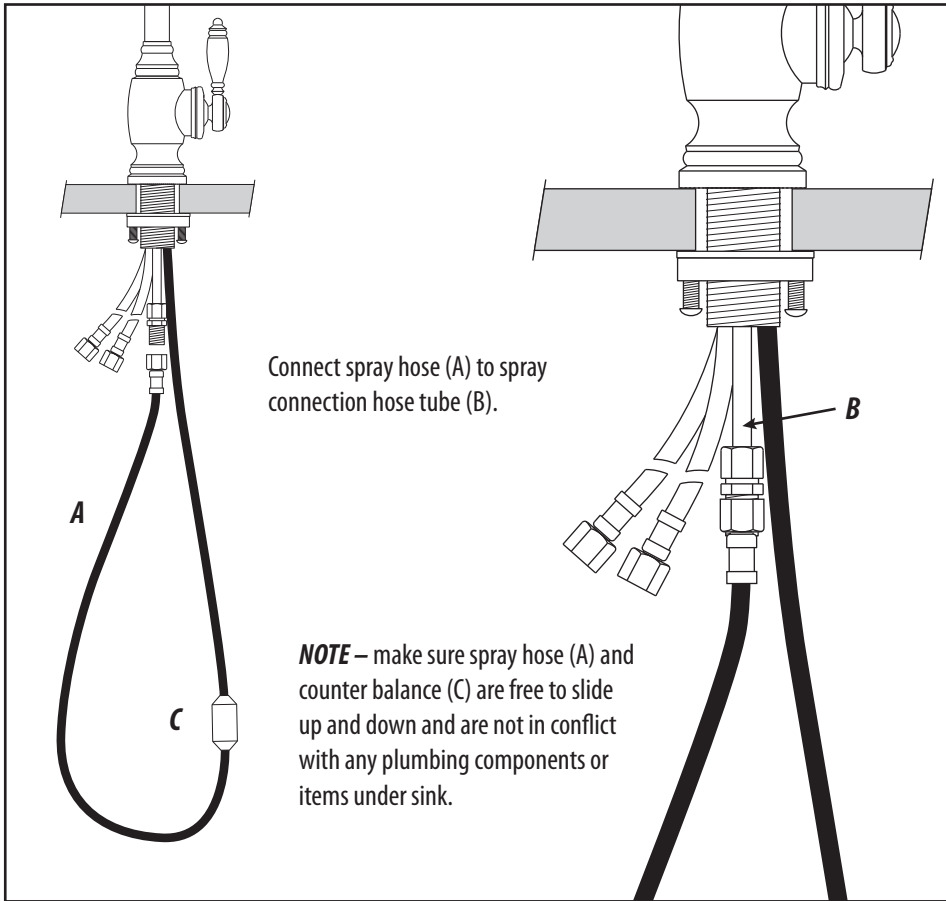
HK-THC-XX*
HANDLE BUTTON KIT (TRADITIONAL ONLY)

HK-USM1375
UNDER SINK MOUNTING HARDWARE KIT (1-3/8")

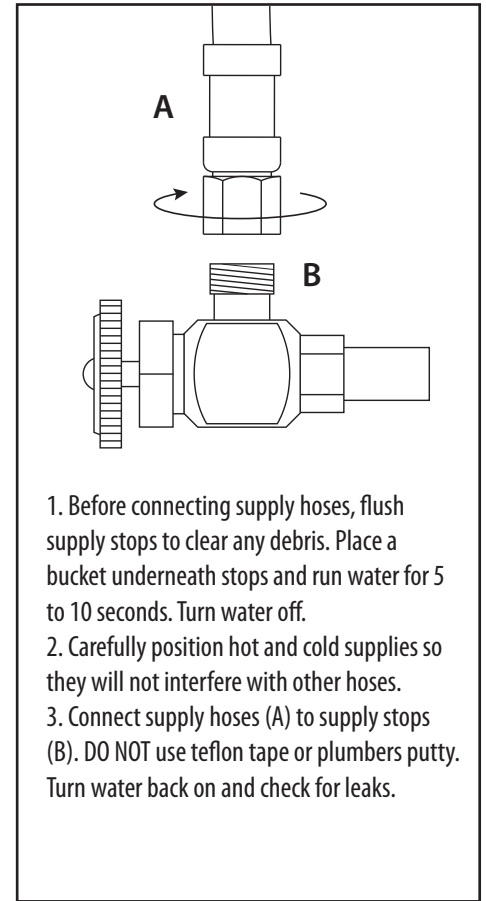
PULLDOWN FAUCET INSTALLATION



CONNECT THE PULL DOWN SPRAY HOSE

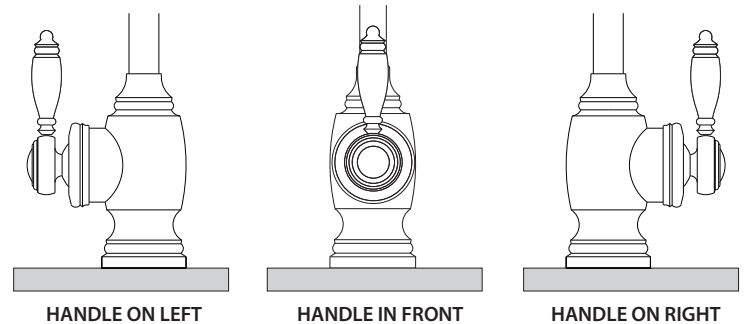


CONNECTING SUPPLY HOSES

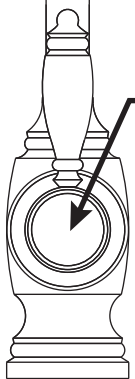


HANDLE POSITION

Waterstone faucets are designed for 3 different faucet positions. Handle on left, front and right. Your faucet is configured for the most common installation (see below). To reverse this and have the handle positioned on the left, connect the hose for cold water to the hot supply and the hose for hot water to the cold supply. This will maintain the relationship of pulling the handle for hot water or pushing for cold water.



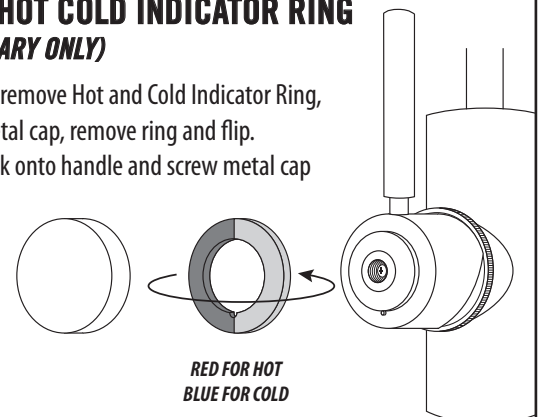
OPTIONAL DECORATIVE BUTTONS (TRADITIONAL ONLY - 3 INCLUDED)



1. To remove, place a small standard screwdriver in the slot at the bottom of metal ring that surrounds the handle button. Gently pry the button from faucet handle.
2. To replace, position button and snap in with thumb.

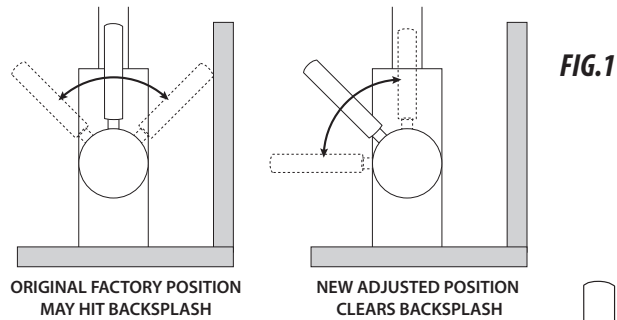
OPTIONAL HOT COLD INDICATOR RING (CONTEMPORARY ONLY)

1. To reverse, or remove Hot and Cold Indicator Ring, unscrew the metal cap, remove ring and flip.
2. Slide ring back onto handle and screw metal cap back on.



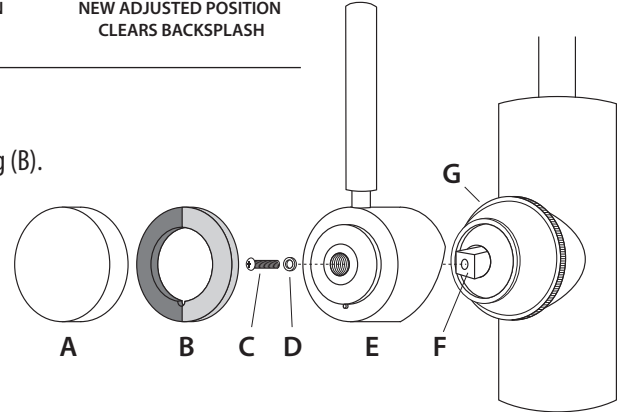
HOW TO ADJUST HANDLE POSITION AND HANDLE TENSION

On some kitchen countertops, the handle may hit the backsplash when the faucet handle is positioned to the left or right (Fig. 1). Waterstone gives you the option of adjusting the handle 45 degrees to avoid hitting backsplash.



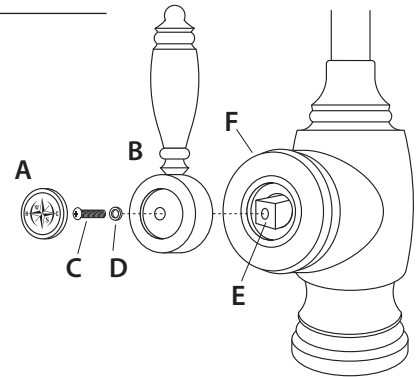
CONTEMPORARY

1. Unscrew and remove the metal cap (A). Remove Hot and Cold Indicator Ring (B).
2. Unscrew and remove holding screw (C) and washer (D).
3. Hold handle (E) in a vertical position. Pull straight off faucet. Rotate handle away from backsplash then slide handle back onto valve stem (F).
4. Insert holding screw with washer and tighten. Slide Hot and Cold Indicator Ring onto handle and thread metal cap back into place.
5. To adjust handle tension, turn ring (G) clockwise to increase or counterclockwise to decrease handle tension.



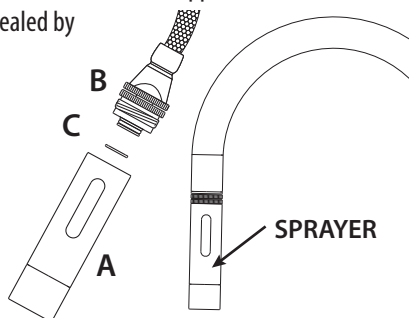
TRADITIONAL

1. Place a small standard screwdriver in the slot at the bottom of metal ring that surrounds the handle caps (A). Gently pry the cap from faucet handle (B).
2. Unscrew and remove holding screw (C) and washer (D).
3. Hold the handle (B) in a vertical position. Pull straight off faucet. Rotate handle away from backsplash then slide handle back onto valve stem (E).
4. Insert holding screw with washer and tighten. Snap handle cap back into place.
5. To adjust handle tension, turn ring (F) clockwise to increase or counterclockwise to decrease handle tension.

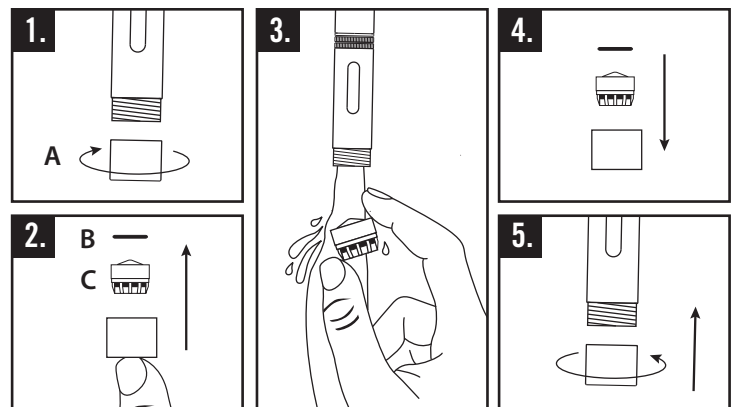


DEBRIS SCREEN FEATURE

1. Turn off water supplies underneath sink and remove any water pressure by opening the faucet handle.
2. Unscrew sprayer (A) from spray hose by holding knurled swivel (B).
3. Inspect, remove and clean debris screen (C) in sprayer. Once cleaned, replace debris screen and reattach to swivel.
4. Close faucet handle and turn on water supplies. Make sure sprayer is secure and sealed by running faucet.



CLEANING AERATOR



1. Gently unscrew and remove spout tip (A) by hand.
2. Remove O-ring (B). To remove aerator (C), push with finger from bottom.
3. Thoroughly rinse aerator with water until all debris is removed.
4. Place aerator, then O-ring back into spout tip.
5. Gently screw spout tip, by hand, snugly back onto spout.