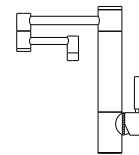
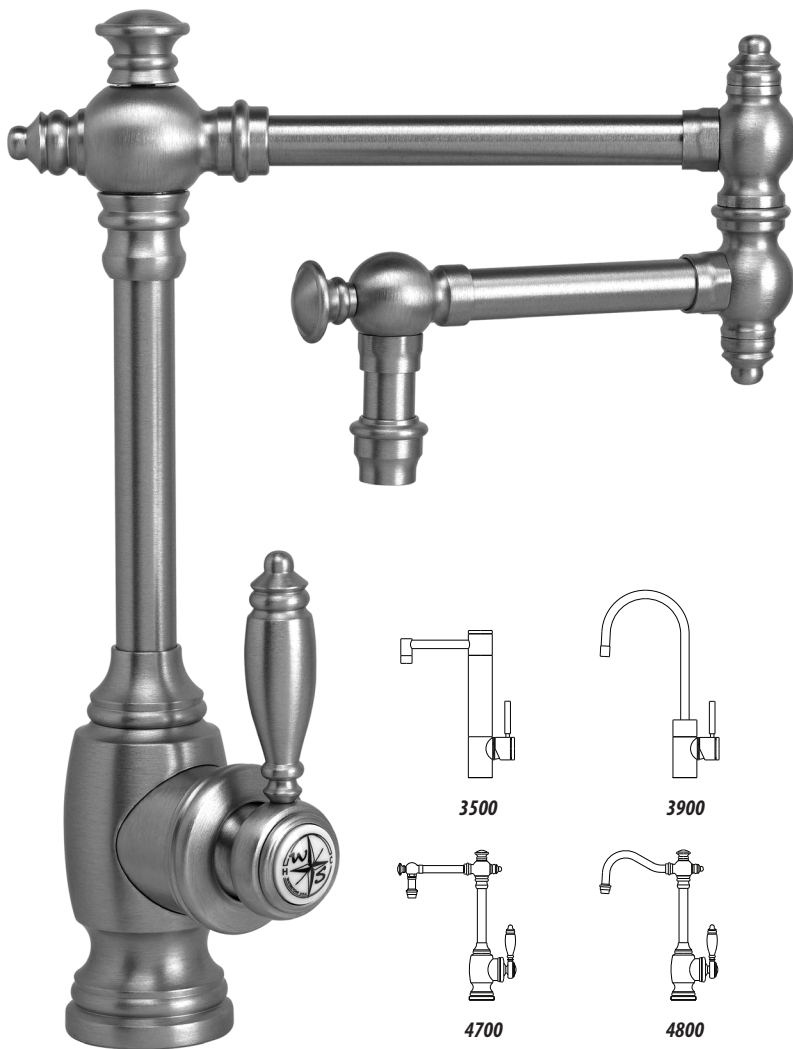
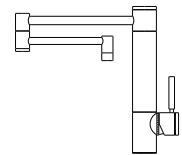


KITCHEN AND PREP FAUCET INSTALLATION INSTRUCTIONS

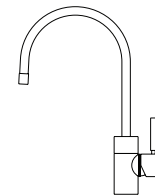
Kitchen Model #s:	Prep Model #s:
3600-12	3500
3600-18	3900
3800	3925
3825	4700
4100-12	4800
4100-18	4900
4200	
4300	



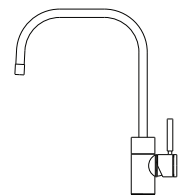
3600-12



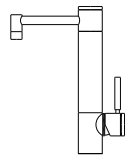
3600-18



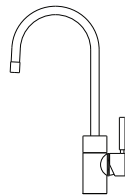
3800



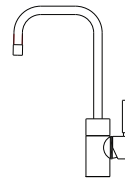
3825



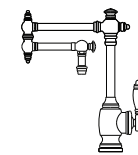
3500



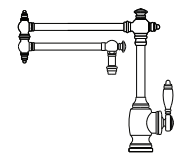
3900



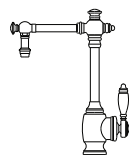
3925



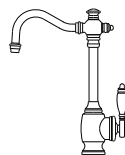
4100-12



4100-18



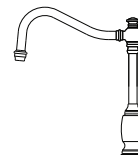
4700



4800



4900



4200



4300

BEFORE YOU BEGIN YOUR INSTALLATION:



Turn off water supply.



Observe all local plumbing codes.



Inspect waste and water supplies for signs of damage. Replace as necessary.



DO NOT use petroleum based products on this faucet.

REQUIRED TOOLS:



1. Adjustable Wrench



2. Phillips Screwdriver

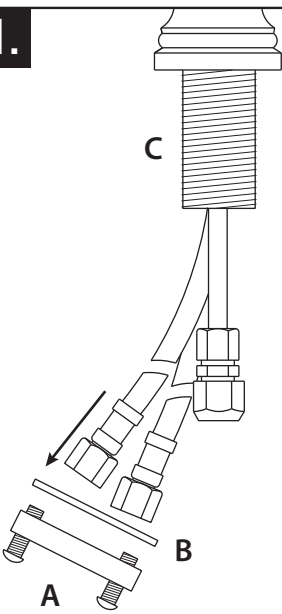
PARTS INCLUDED:

**XX represents finish*

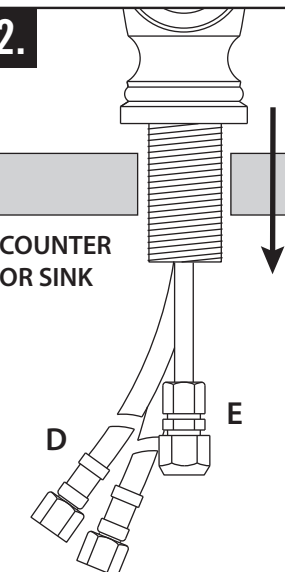
HK-THC-XX*
HANDLE BUTTON KIT (TRADITIONAL ONLY)

HK-USM1250
UNDER SINK MOUNTING HARDWARE KIT (1-1/4")

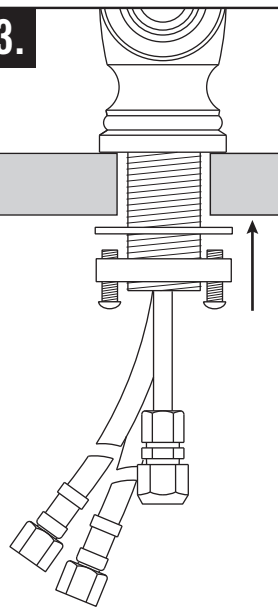
FAUCET INSTALLATION

1. 

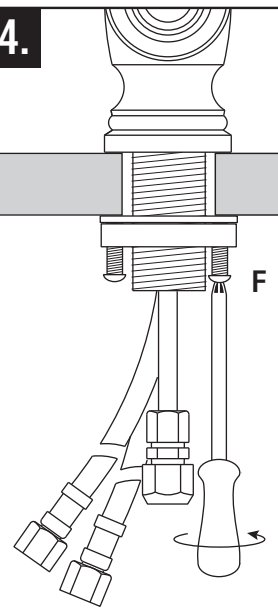
Remove clamp nut (A) and washer (B) from threaded shroud (C).

2. 

Fit flexible hoses (D) and rigid sidespray tube (E) through hole on counter or sink. (No plumbers putty is required. O-ring seals base).

3. 

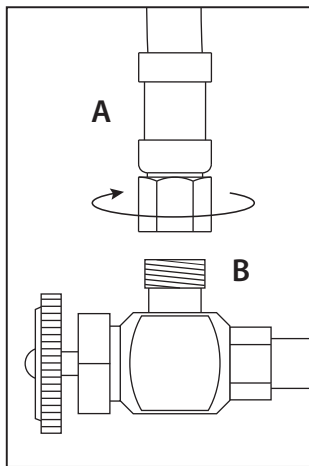
Slide washer and thread the clamp nut onto threaded shroud. Tighten nut snug to underside of sink or counter.

4. 

Turn faucet to the desired handle position. Securely tighten clamp screws (F).

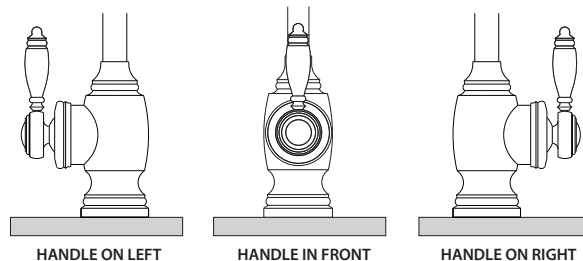
CONNECTING SUPPLY HOSES

1. Before connecting supply hoses, flush supply stops to clear any debris. Place a bucket underneath stops and run water for 5 to 10 seconds. Turn water off.
2. Carefully position hot and cold supplies so they will not interfere with other hoses.
3. Connect supply hoses (A) to supply stops (B). DO NOT use teflon tape or plumbers putty. Turn water back on and check for leaks.

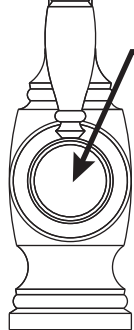


HANDLE POSITION

Waterstone faucets are designed for 3 different faucet positions. Handle on left, front and right. Your faucet is configured for the most common installation (see below). To reverse this and have the handle positioned on the left, connect the hose for cold water to the hot supply and the hose for hot water to the cold supply. This will maintain the relationship of pulling the handle for hot water or pushing for cold water.



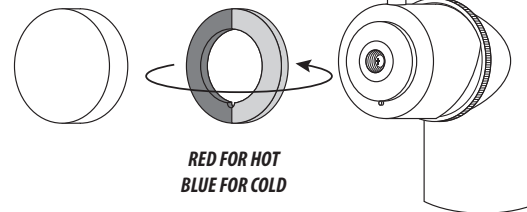
OPTIONAL DECORATIVE BUTTONS (TRADITIONAL ONLY - 3 INCLUDED)



1. To remove, place a small standard screwdriver in the slot at bottom of metal ring that surrounds the handle buttons. Gently pry the button from faucet handle.
2. To replace, position button and snap in with thumb.

OPTIONAL HOT COLD INDICATOR RING (CONTEMPORARY ONLY)

1. To reverse, or remove Hot and Cold Indicator Ring, unscrew the metal cap, remove ring and flip.
2. Slide ring back onto handle and screw metal cap back on.



CONNECTING OPTIONAL SIDE SPRAY

1.

COUNTER OR SINK

1. Insert side spray base (A) into side spray hole on your sink or counter. No plumbers putty is required. O-ring seals base. Slide washer (B), thread attaching nut (C) and securely tighten.

2.

2. Slide sidespray hose (D) through side spray base.

3.

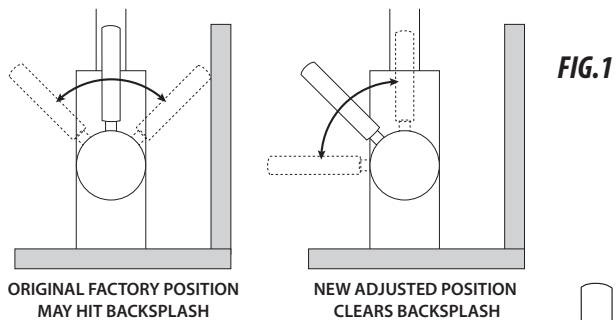
3. Remove hose cap (E) from end of sidespray hose tube (F) on faucet (G).

4.

4. Connect and tighten end of sidespray hose to sidespray hose tube.

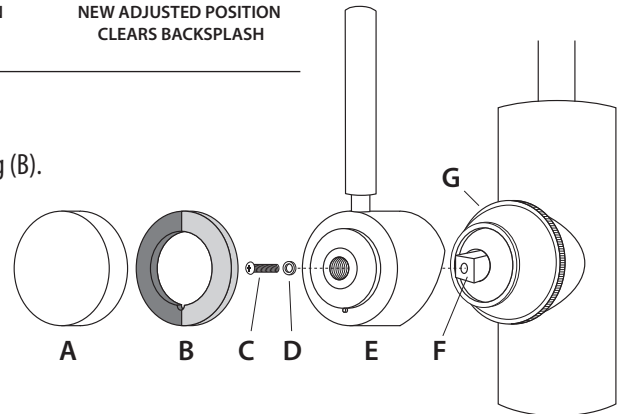
HOW TO ADJUST HANDLE POSITION AND HANDLE TENSION

On some kitchen countertops, the handle may hit the backsplash when the faucet handle is positioned to the left or right (Fig. 1). Waterstone gives you the option of adjusting the handle 45 degrees to avoid hitting backsplash.



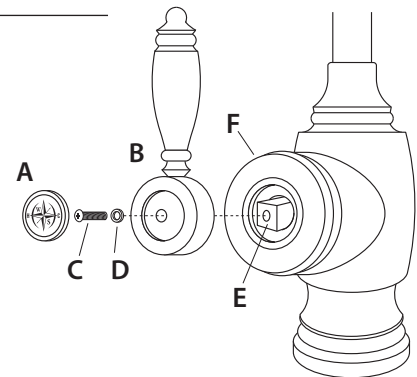
CONTEMPORARY

1. Unscrew and remove the metal cap (A). Remove Hot and Cold Indicator Ring (B).
2. Unscrew and remove holding screw (C) and washer (D).
3. Hold handle (E) in a vertical position. Pull straight off faucet. Rotate handle away from backsplash then slide handle back onto valve stem (F).
4. Insert holding screw with washer and tighten. Slide Hot and Cold Indicator Ring onto handle and thread metal cap back into place.
5. To adjust handle tension, turn ring (G) clockwise to increase or counterclockwise to decrease handle tension.

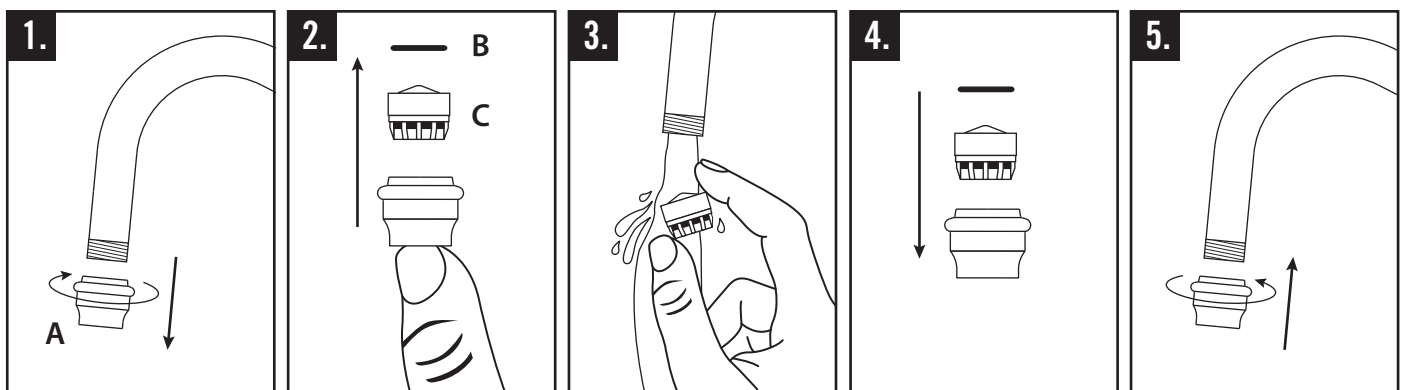


TRADITIONAL

1. Place a small standard screwdriver in the slot at the bottom of metal ring that surrounds the handle caps (A). Gently pry the button from faucet handle (B).
2. Unscrew and remove holding screw (C) and washer (D).
3. Hold the handle (B) in a vertical position. Pull straight off faucet. Rotate handle away from backsplash then slide handle back onto valve stem (E).
4. Insert holding screw with washer and tighten. Snap handle cap back into place.
5. To adjust handle tension, turn ring (F) clockwise to increase or counterclockwise to decrease handle tension.



CLEANING AERATOR AND DEBRIS SCREEN



Depending on quality of your household water, the aerator and debris screen may become clogged. We recommend cleaning one week after installation, then a minimum of once of year thereafter. To remove the debris, follow the steps below.

1. Gently unscrew and remove spout tip (A) by hand.
2. Remove O-ring (B). To remove aerator (C), push with finger from bottom.
3. Thoroughly rinse aerator with water until all debris is removed.
4. Place aerator, then O-ring back into spout tip.
5. Gently screw spout tip, by hand, snugly back onto spout.