

CONTEMPORARY AIR SWITCH

Model # 3010



PRODUCT DESCRIPTION

- Above the deck design.
- Easy operation and eliminates broken fingernails.
- Includes two-outlet control box and tubing.
- Isolated from electrical connections.
- Solid brass or stainless steel construction.
- Simplifies first time disposer installations.
- Easily replaceable air pump.

CONNECTION BOX

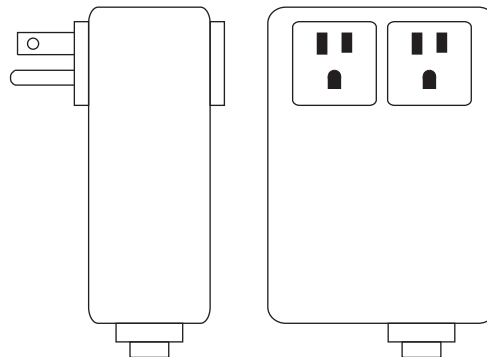
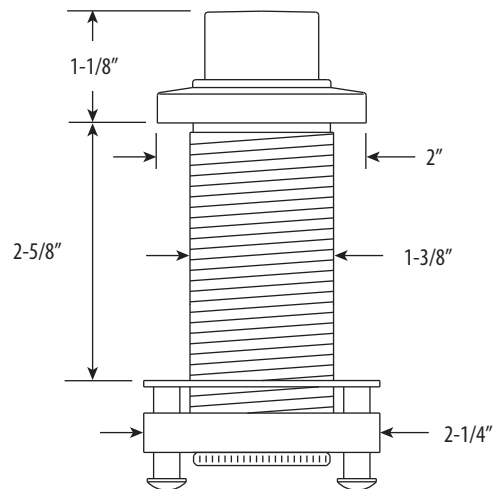
- On/Off safety air switch.
- Pressing air switch will alternately activate or deactivate two pieces of equipment plugged into the box.

CODES/STANDARDS APPLICABLE

Specified model meets or exceeds the following:

- UL
- CSA Enclosure Type 2
- ADA Compliant

- Max Counter Thickness 2-5/8"
- Install Hole Size Adaptable Up to 1-1/2"



Connection Box

4-1/4"H x 3"W x 2"D
 120v 15Amp 1Hp
 Tubing included



DIMENSIONS MAY VARY AND ARE SUBJECT TO CHANGE. NO RESPONSIBILITY IS ASSUMED FOR USE OF SUPERCEDED OR VOIDED DATA

AVAILABLE IN 32 FINISHES + SOLID STAINLESS STEEL

Almond - 01	Black Nickel - BLN	Distressed Antique Copper - DAC	Polished Gold - PG	Unlaquered Polished Brass - UPB
Antique Brass - AB	Black-Oil Rubbed Bronze - ORB	Distressed American Bronze - DAMB	Polished Nickel - PN	Venetian Bronze - VB
Antique Bronze - ABZ	Biscuit - 07	Distressed Antique Pewter - DAP	Satin Chrome - SC	Weathered Brass - WB
Antique Copper - AC	Caribbean Bronze - CB	Euro-White - EW	Satin Gold - SG	Weathered Copper - WC
American Bronze - AMB	Chocolate Bronze - CHB	Matte Black - MB	Satin Nickel - SN	White - WT
Antique Pewter - AP	Chrome - CH	Polished Brass - PB	Stainless Steel - SS*	
Black - 06	Distressed Antique Brass - DAB	Polished Copper - PC	Tuscan Brass - TB	

**Contemporary Styles Only*