

TRADITIONAL SINK HOLE COVER

Model # 4080



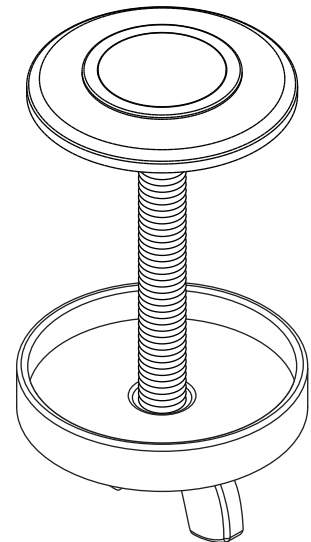
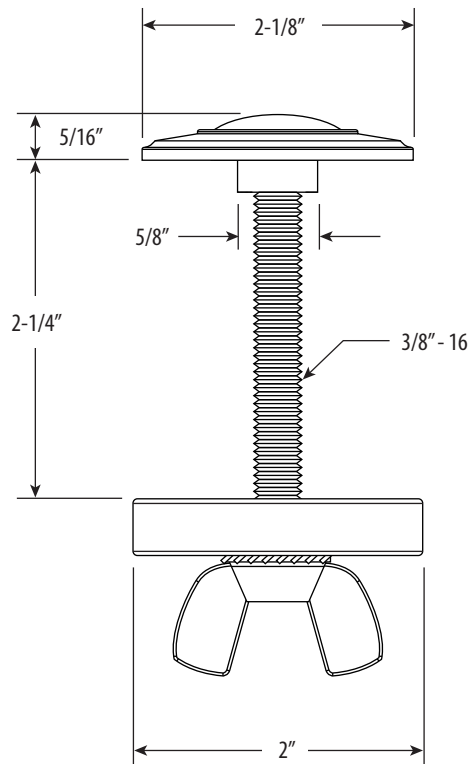
PRODUCT DESCRIPTION

- Covers unused sink holes.
- 2-1/8" diameter covers standard size sink holes.
- Perfect for 2-holed Bridge Faucets.
- Mounting hardware included for easy installation
- Matches traditional faucet Suites.
- Stylish finish button.
- Solid brass construction.
- Made in the USA.

CODES/STANDARDS APPLICABLE

- Specified model meets or exceeds the following:
- ASME A112.18.1

- Max Counter Thickness 2-1/4"



DIMENSIONS MAY VARY AND ARE SUBJECT TO CHANGE. NO RESPONSIBILITY IS ASSUMED FOR USE OF SUPERCEDED OR VOIDED DATA

AVAILABLE IN 30 FINISHES + SOLID STAINLESS STEEL

Antique Brass - AB
Antique Bronze - ABZ
Antique Copper - AC
American Bronze - AMB
Antique Pewter - AP
Gloss Black - GB
Black Nickel - BLN
Black-Oil Rubbed Bronze - ORB
Caribbean Bronze - CB
Chocolate Bronze - CHB
Chrome - CH

Classic Bronze - CLZ
Distressed Antique Brass - DAB
Distressed Antique Copper - DAC
Distressed American Bronze - DAMB
Distressed Antique Pewter - DAP
Matte Black - MB
Polished Brass - PB
Polished Copper - PC
Polished Gold - PG
Polished Nickel - PN
Satin Brass - SB

Satin Chrome - SC
Satin Gold - SG
Satin Nickel - SN
Stainless Steel - SS*
Tuscan Brass - TB
Unlaquered Polished Brass - UPB
Venetian Bronze - VB
Weathered Brass - WB
Weathered Copper - WC