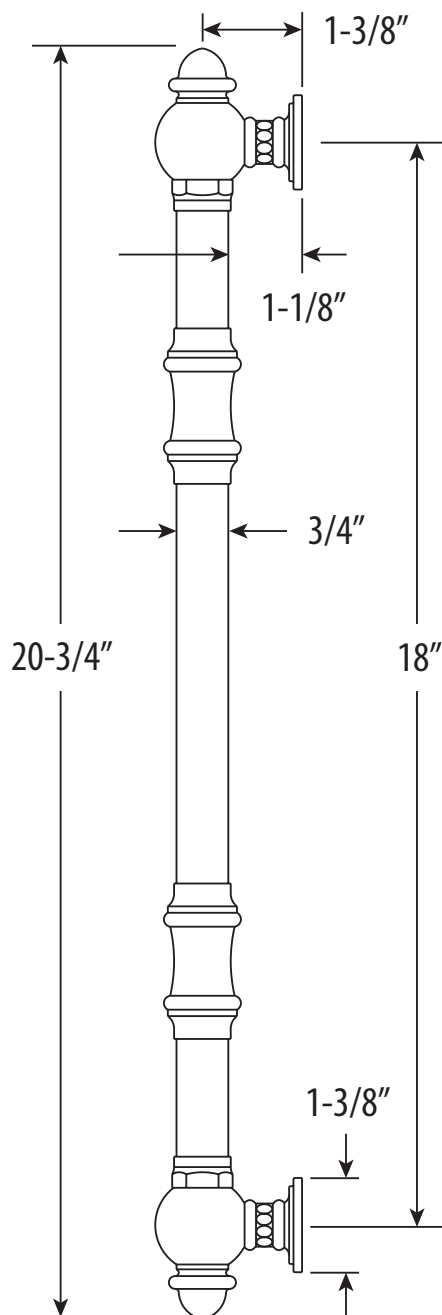


TRADITIONAL 18" APPLIANCE PULL

HTP-1800

- Break to length screws
- Fits materials from 1/2" to 1-1/2" thick



 **ECO BRASS**
HIGH PERFORMANCE LEAD FREE BRASS

DIMENSIONS MAY VARY AND ARE SUBJECT TO CHANGE. NO RESPONSIBILITY IS ASSUMED FOR USE OF SUPERCEDED OR VOIDED DATA