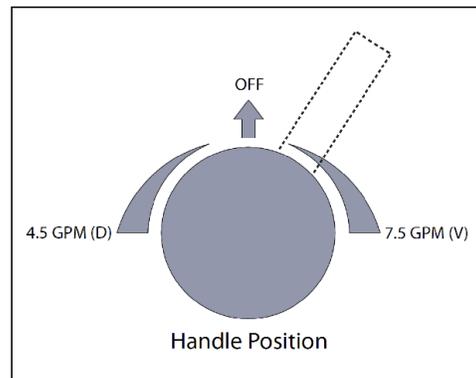
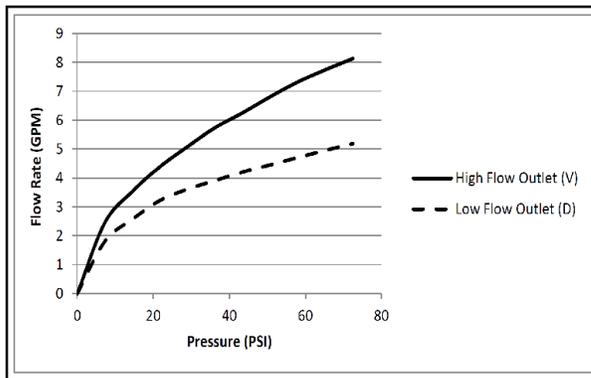
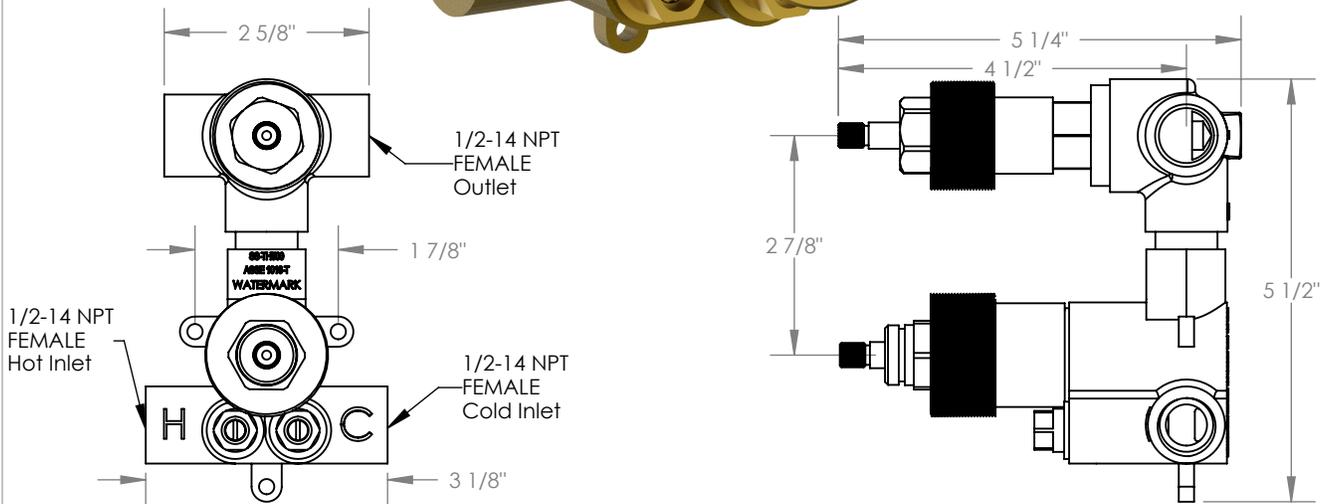


SS-TH70

1/2" Mni Thermostatic Valve with Built-in Volume Control and 2-way diverter



Meets the applicable requirements of ASME A112.18.1-2005/CSA B125.1-05, entitled "Plumbing Supply Fittings"