

# WATERMARK

BROOKLYN, NEW YORK

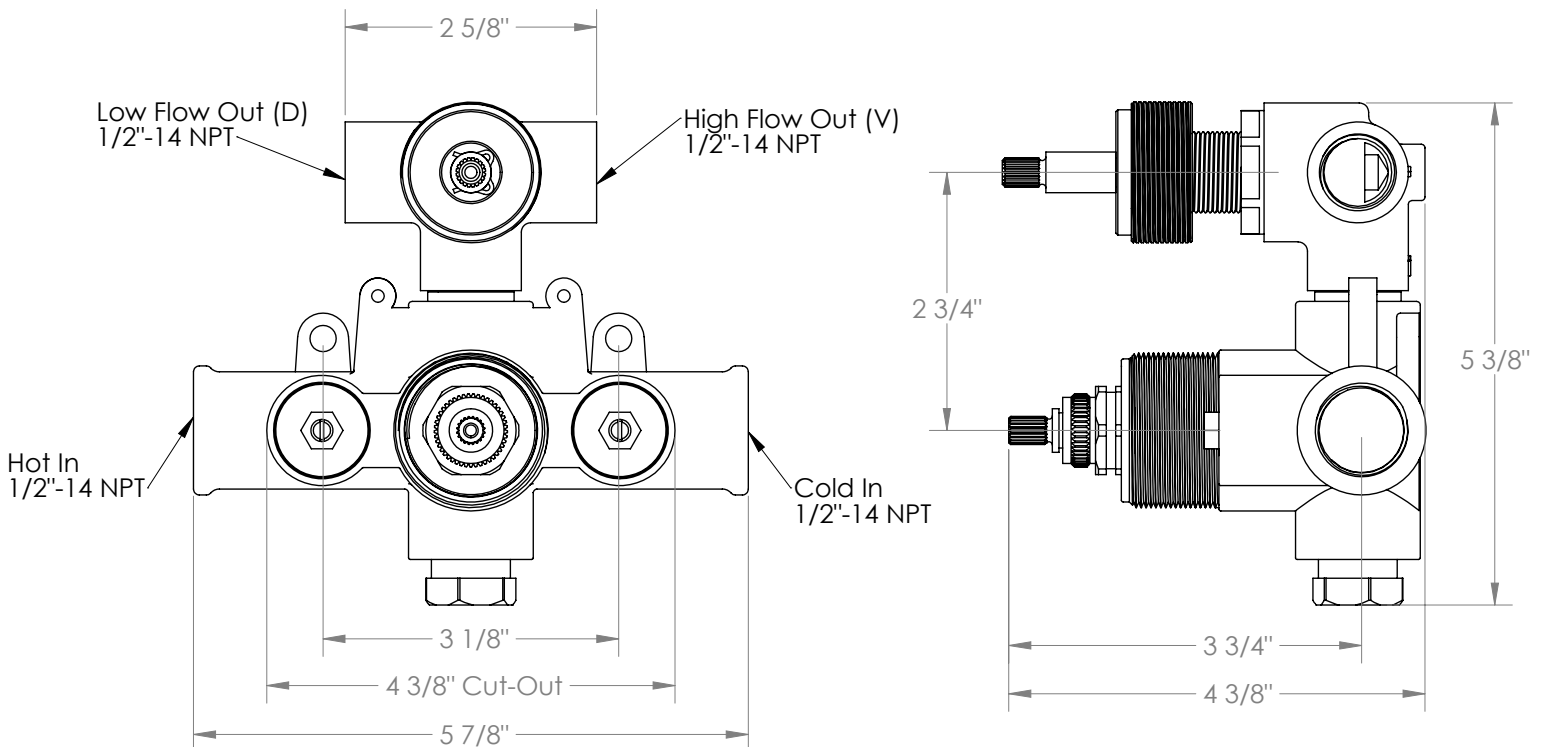


## SS-THVD2

1/2" Thermostatic Valve with Volume Control and Two-Way Diverter

- Solid brass construction
- Integral service stops with check valves
- Flow Rate: 4-5 GPM per outlet @ 60 PSI.
- Non-sharing ports
- Inlet Pressure: 20-72 PSI.
- Inlet Temperatures: 50°F-180°F
- Professional installation required
- See installation instructions for additional specifications

Available in all finishes shown on the [Watermark Designs website](https://www.watermark-designs.com)



Meets the applicable requirements of ASME A112.18.1/CSA B125.1, entitled "Plumbing Supply Fittings".

Watermark Designs reserves the right to make revisions without notice to product specifications. All product dimensions are nominal.

03/2024

350 Dewitt Ave. Brooklyn, NY 11207 USA | T: 1 718 257 2800 | F: 1 718 257 2144 | [customerservice@watermark-designs.com](mailto:customerservice@watermark-designs.com)