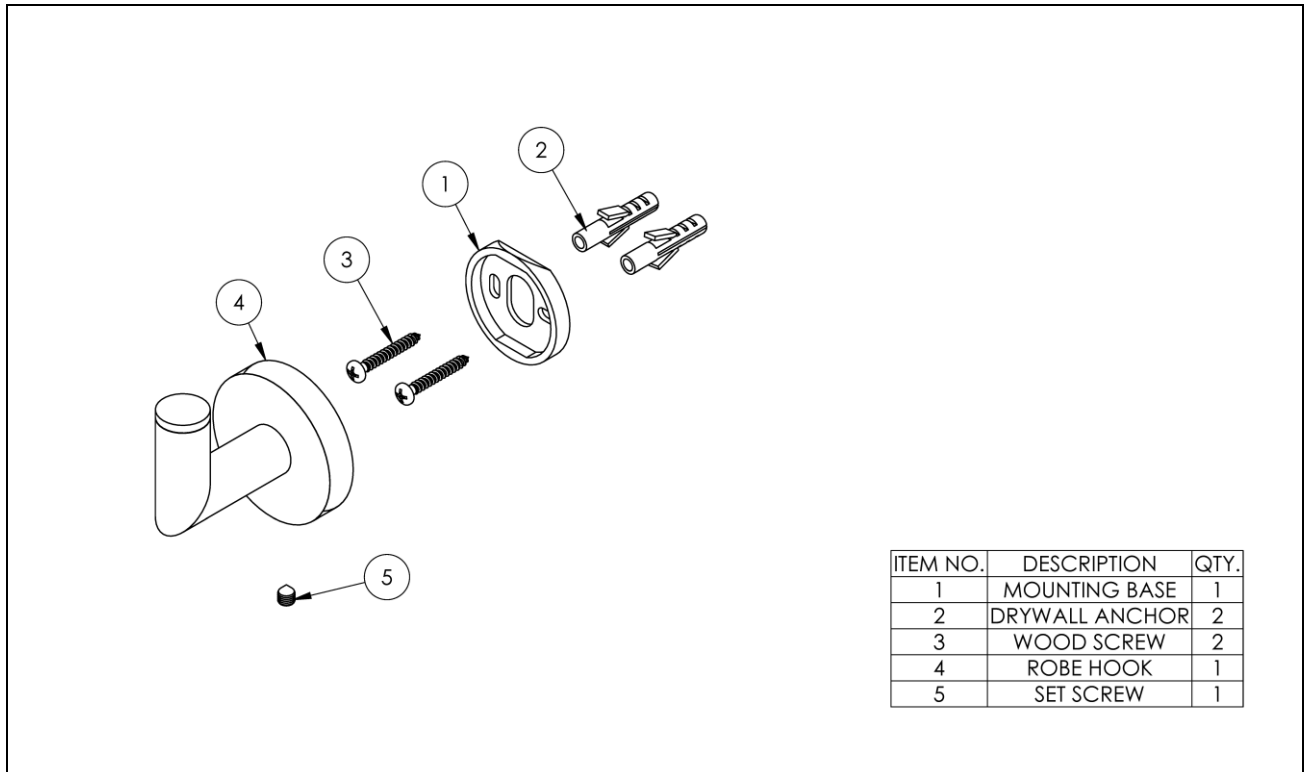
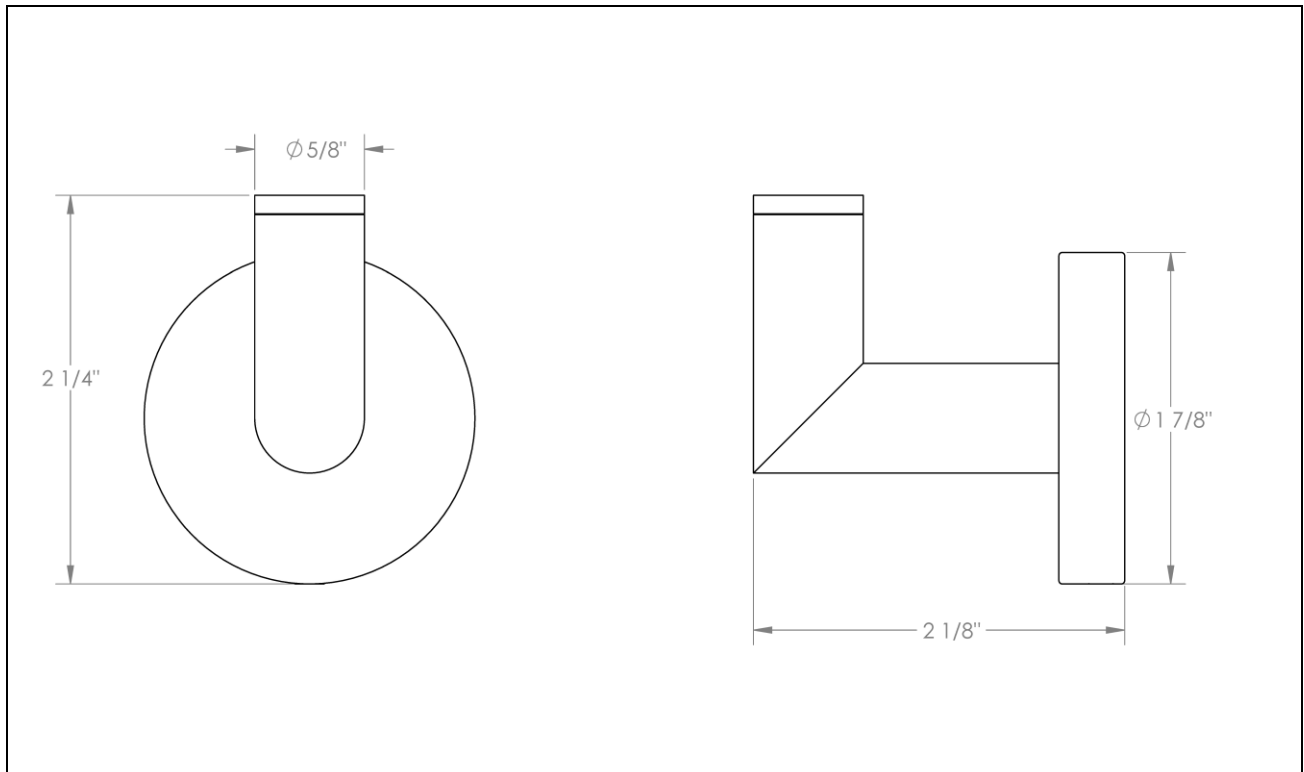


Exploded View



Dimensions



Installation Instructions

1. Mark locations on wall using the **mounting base** (1), ensuring a tapered surface for the **set screw** (5) is on the bottom.
2. Drill appropriate hole sizes depending on whether the base is being installed onto wood studs (recommended), drywall, or ceramic tile. If mounting onto drywall, use the provided **drywall anchors** (2). Secure base onto the finished wall with **wood screws** (3).
3. Place the **robe hook** (4) over the **mounting base** (1) and secure by tightening the **set screw** (5) on the bottom of the base.

IMPORTANT INSTALLATION INFORMATION

- Refer to maintenance guide for finish care instructions.

For technical support, please call 718-257-2800