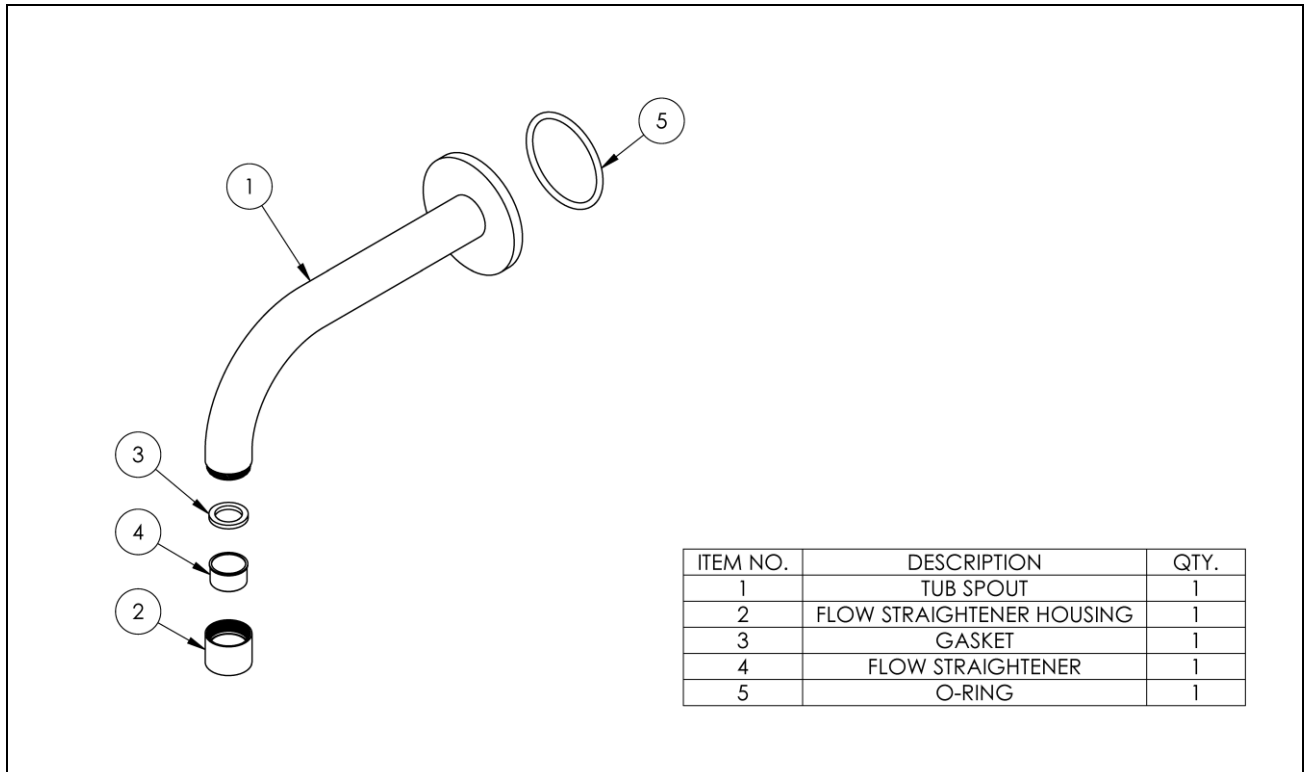
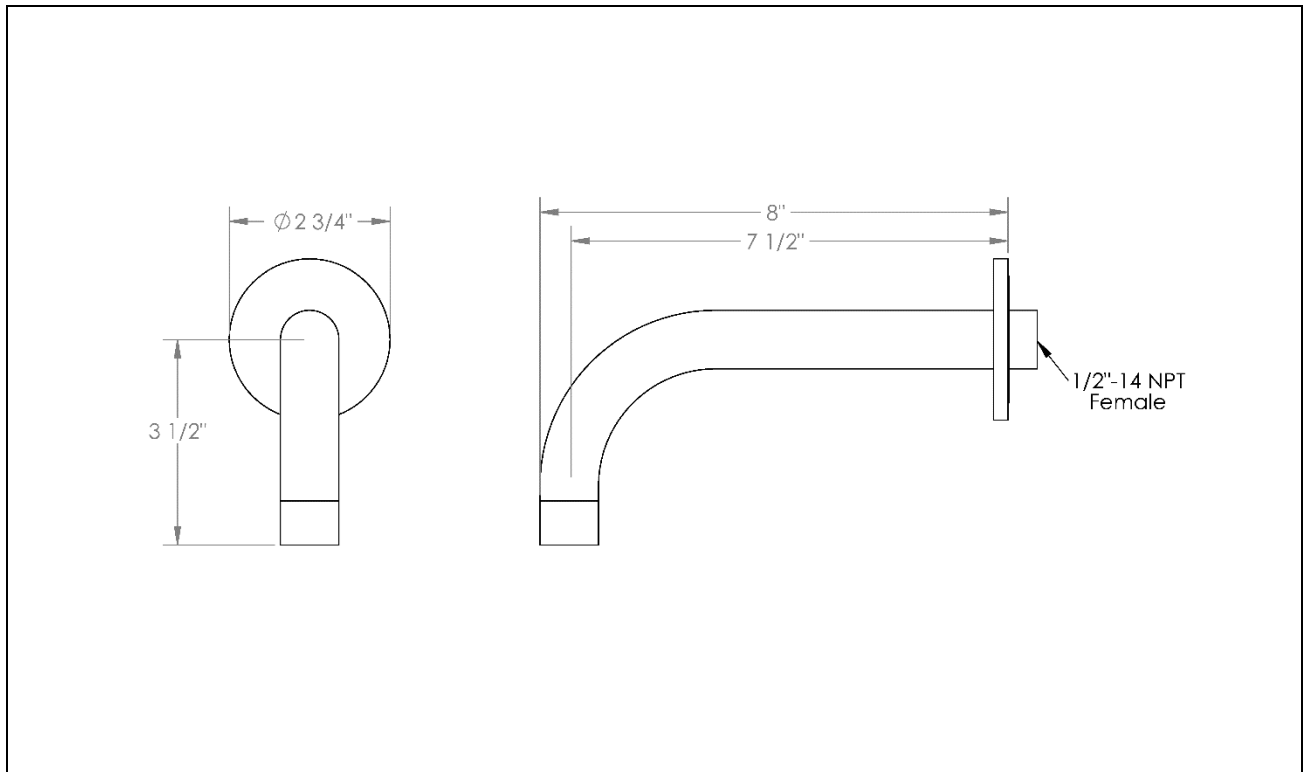


## Exploded View



## Dimensions



## Installation Instructions

1. A well-supported 1/2" NPT elbow with nipple is required in the wall prior to installation.
2. Hole in the wall should be at least  $\varnothing 1 \frac{1}{8}$ " to fit pipe nipple. Nipple should end flush with the finished wall.  
Note: The escutcheon is fixed and does not slide along the spout.
3. Thread the **tub spout** (1) onto the nipple so that the outlet faces down when the back of the spout contacts the wall. The **O-ring** (5) should be compressed. Use a strap wrench or soft jaw pliers if necessary. A bead of silicone sealant may be applied in between the wall and spout base.
4. Unthread the **flow straightener housing** (2), **gasket** (3), and **flow straightener** (4).
5. Flush the tub spout.
6. Reinstall the above components.

### **IMPORTANT INSTALLATION INFORMATION**

- Use Teflon tape or pipe sealant for threaded connections.
- Do NOT use Plumber's Putty on any of the brass components.  
This will cause the finish to tarnish and void the warranty. A non-corrosive alkoxy silicone is recommended.
- Copper adapters may be required to complete your installation.
- Refer to maintenance guide for finish care instructions.

**For technical support, please call 718-257-2800**