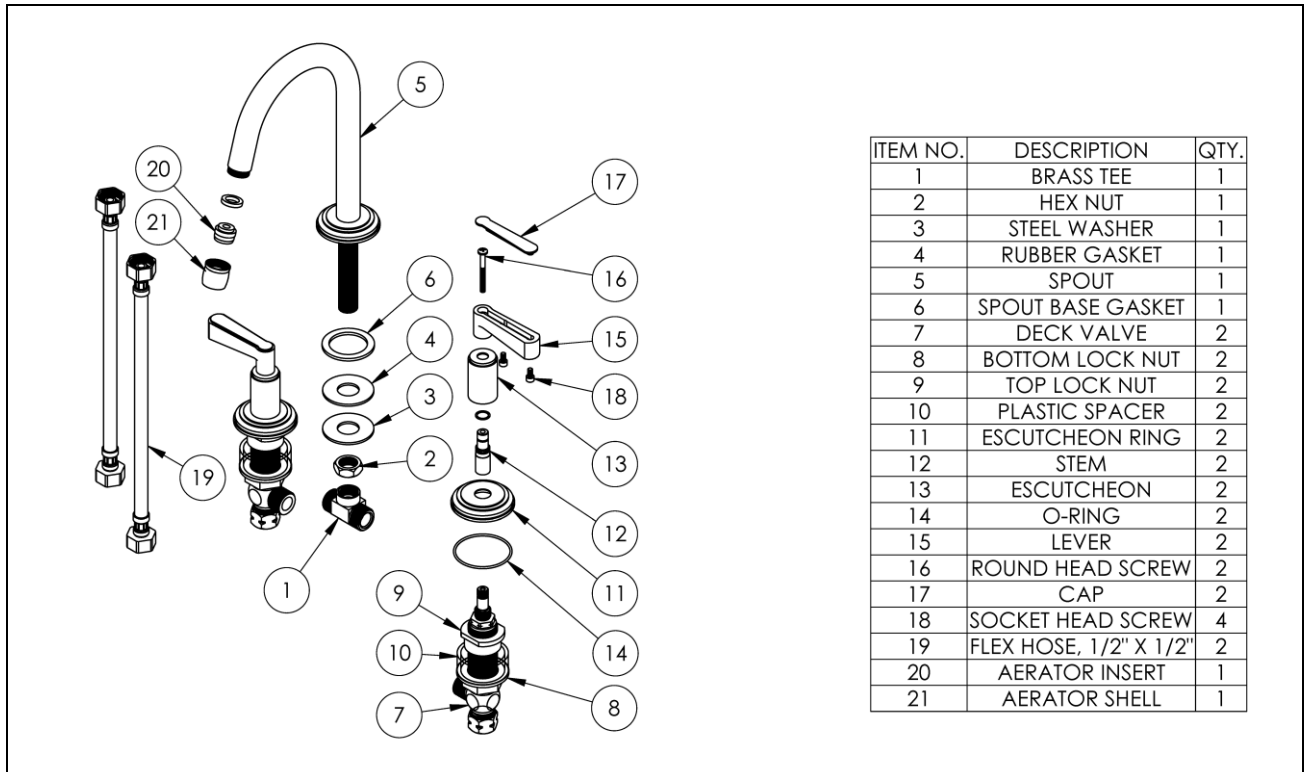
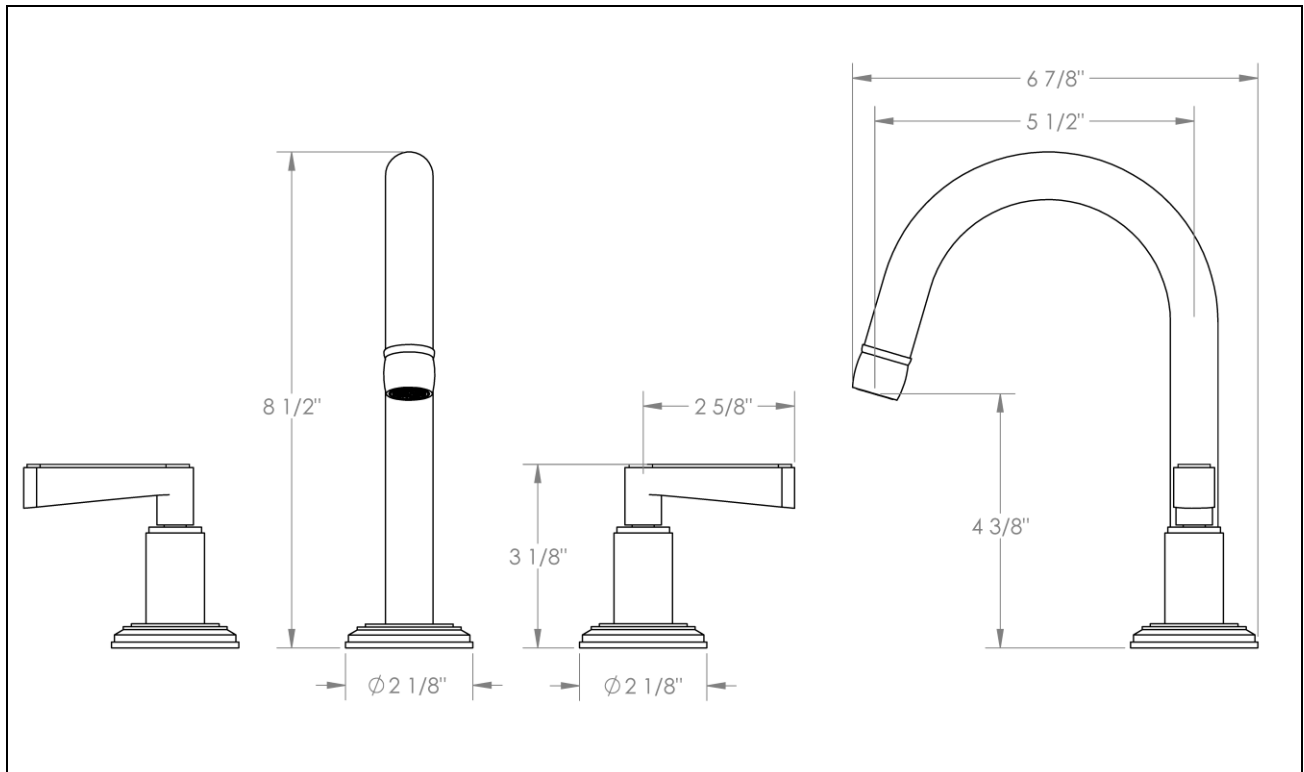


Exploded View



Dimensions



Installation Instructions

1. Holes in the counter should be $\varnothing 1\text{-}3/8"$ for the two handles and $\varnothing 3/4"$ to $1\text{-}3/8"$ for the spout assembly.
2. Unthread the **brass tee** (1), **hex nut** (2), **steel washer** (3), and **rubber gasket** (4) from the threaded nipple on the **spout** (5) and place it through the counter. Make sure the **spout base gasket** (6) on the **spout** (5) is compressed onto the counter.
3. Reassemble the **rubber gasket** (4) and **steel washer** (3) onto the **spout** (5) and tighten with the **hex nut** (2). Thread on the **brass tee** (1), making sure the tee gasket is compressed. Do not overtighten.
4. Disassemble the handles from the **deck valves** (7). Unthread the **handle assembly** (7) by the escutcheon and the brass **top lock nut** (10). Leave the **bottom lock nuts** (8) on the valves.
5. Secure the **deck valves** (7) to the counter by reassembling the plastic **top lock nuts** (9) onto the valves, sandwiching the counter with the two lock nuts. For thin counters, the provided **plastic spacer** (10) may be used. The top of the valve cartridge should protrude $1\text{-}3/4"$ from the counter. Note the different hot and cold deck valves by the red/blue stickers near the bottom of the valves.
6. Reassemble the **escutcheon rings** (11) onto the valves. Insert the **stems** (12) into the **escutcheons** (13) and thread the **escutcheons** (13) onto the cartridges, compressing the **O-rings** (14) onto the counter. Make sure the washer is on the stem is in place.
7. Assemble the **levers** (15) onto the **stems** (12) and fasten with the **round head screws** (16).
8. Assemble the **caps** (18) onto the **levers** (15) and fasten with the **socket head screws** (18) with the provided Allen keys.
9. Flush the supplies prior to plumbing to the bottom of the deck valves. Use either $\varnothing 3/8"$ risers with the provided compression nuts or with $3/8"$ compression to $1/2"$ IPS flexible hoses (not provided).
10. Connect the side outlets of the deck valves to the spout brass tee with the provided **1/2" flex hoses** (19). Check for leaks.
11. Install the soft touch drain (not shown) per its instructions.
12. If flow becomes slow or clogged, the **aerator insert** (20) can be removed and rinsed by unthreading the **aerator shell** (21).

IMPORTANT INSTALLATION INFORMATION

- Do NOT use Plumber's Putty on any of the brass components. This will cause the finish to tarnish and void the warranty. A non-corrosive alkoxy silicone is recommended.
- Refer to maintenance guide for finish care instructions.

For technical support, please call 718-257-2800