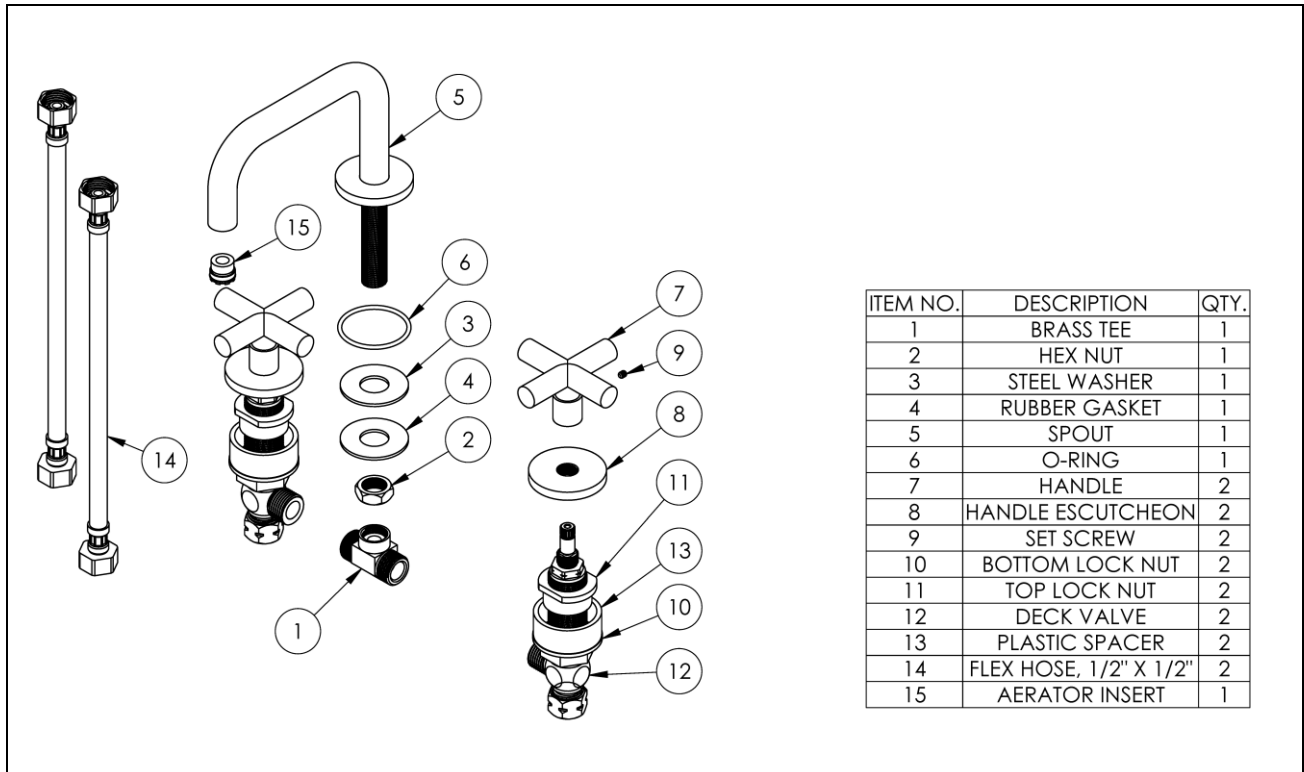
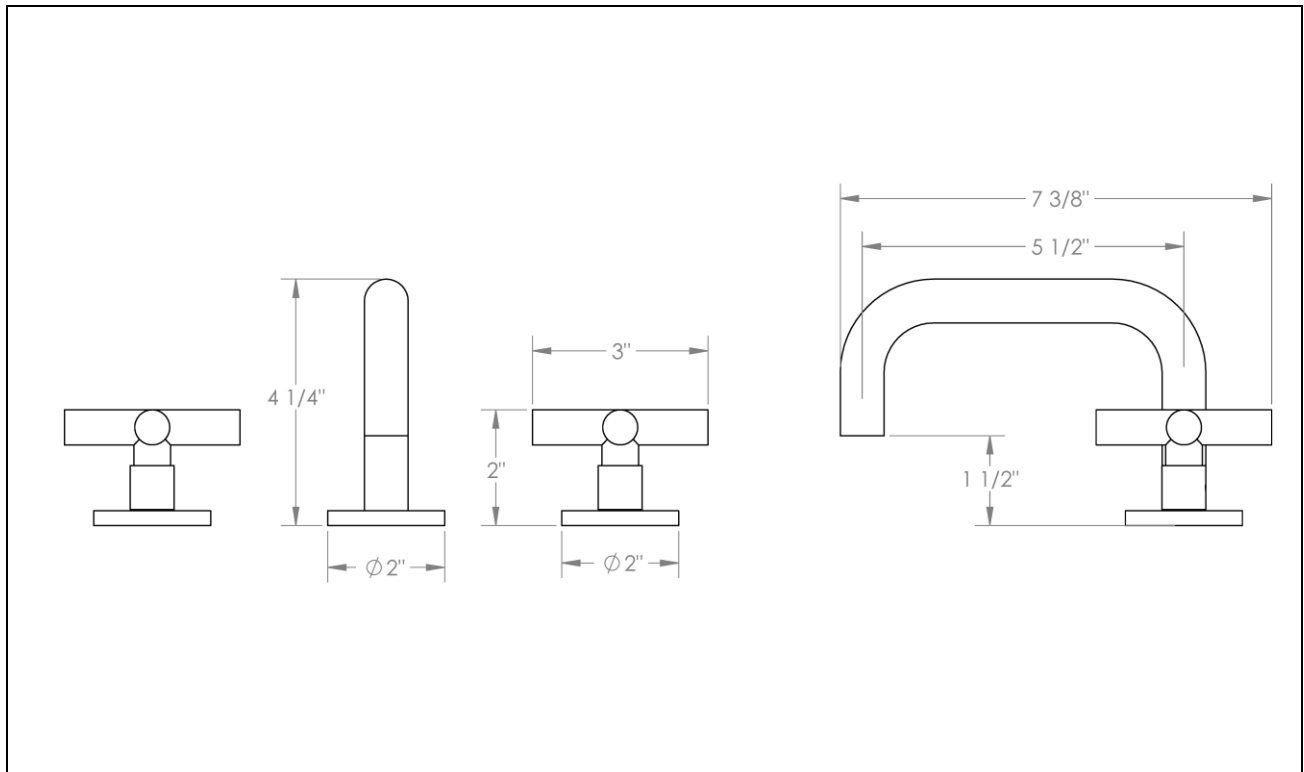


### Exploded View



### Dimensions



## Installation Instructions

1. Holes in the counter should be  $\varnothing 1\text{-}3/8''$  for the two handles and  $\varnothing 3/4''$  to  $1\text{-}3/8''$  for the spout assembly.
2. Unthread the **brass tee** (1), **hex nut** (2), **steel washer** (3), and **rubber gasket** (4) from the threaded nipple on the **spout** (5) and place it through the counter. Make sure the **O-ring** (6) on the **spout** (5) is compressed onto the counter.
3. Reassemble the **rubber gasket** (4) and **steel washer** (3) onto the **spout** (5) and tighten with the **hex nut** (2). Thread on the **brass tee** (1), making sure the tee gasket is compressed. Do not overtighten.
4. Disassemble the handles from the **deck valves** (12). Remove the **set screw** (9) from the **handle** (7). Unthread the **handle escutcheon** (8) and the black **top lock nut** (11). Leave the **bottom lock nuts** (10) on the valves.
5. Secure the **deck valves** (12) to the counter by reassembling the **top lock nuts** (14) onto the valves, sandwiching the counter with the two lock nuts. For thin counters, the provided **plastic spacer** (13) may be used. The top of the valve cartridge should protrude  $3/4''$  from the counter. Note the different hot and cold deck valves by the red/blue stickers near the bottom of the valves.
6. Reassemble the handles onto the valves. Ensure there is a small clearance between the **handle** (7) and the **handle escutcheon** (8) by raising the valve and retightening the black plastic nuts. If there is too much clearance, then the valve should be lowered.
7. Flush the supplies prior to plumbing to the bottom of the deck valves. Use either  $\varnothing 3/8''$  risers with the provided compression nuts or with  $3/8''$  compression to  $1/2''$  IPS flexible hoses (not provided).
8. Connect the side outlets of the deck valves to the spout brass tee with the provided  **$1/2''$  flex hoses** (14) Check for leaks.
9. Install the soft touch drain (not shown) per its instructions.
10. If flow becomes slow or clogged, the **aerator insert** (15) can be removed and rinsed with the provided key.

### IMPORTANT INSTALLATION INFORMATION

- Do NOT use Plumber's Putty on any of the brass components. This will cause the finish to tarnish and void the warranty. A non-corrosive alkoxy silicone is recommended.
- Refer to maintenance guide for finish care instructions.

**For technical support, please call 718-257-2800**