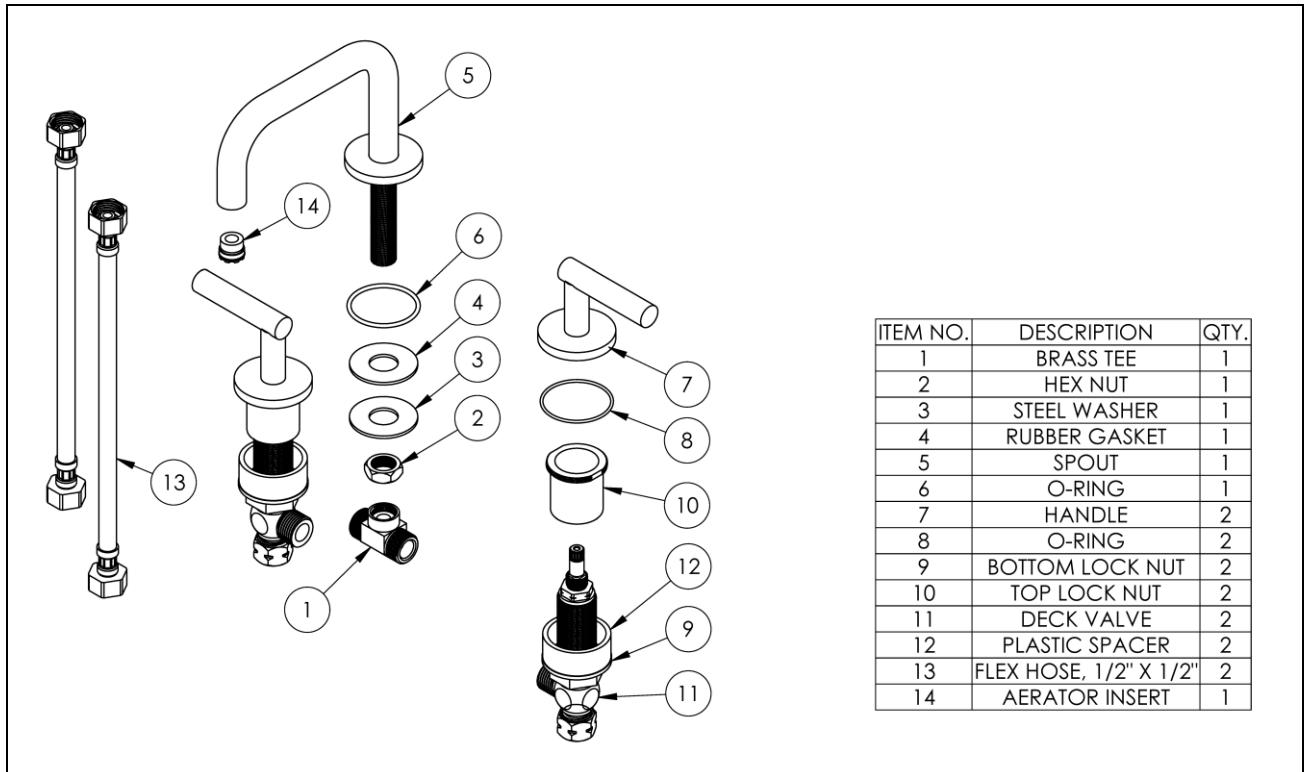
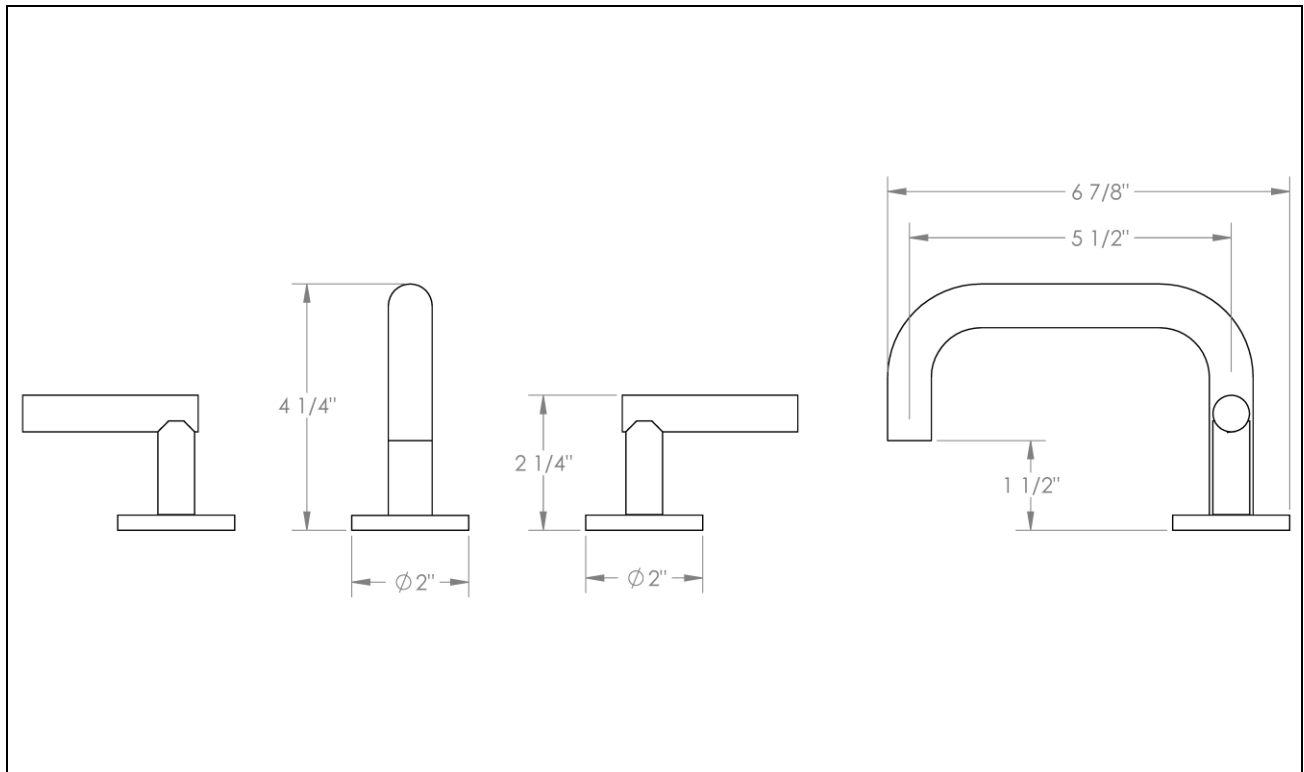


Exploded View



ITEM NO.	DESCRIPTION	QTY.
1	BRASS TEE	1
2	HEX NUT	1
3	STEEL WASHER	1
4	RUBBER GASKET	1
5	SPOUT	1
6	O-RING	1
7	HANDLE	2
8	O-RING	2
9	BOTTOM LOCK NUT	2
10	TOP LOCK NUT	2
11	DECK VALVE	2
12	PLASTIC SPACER	2
13	FLEX HOSE, 1/2" X 1/2"	2
14	AERATOR INSERT	1

Dimensions



Installation Instructions

1. Holes in the counter should be $\varnothing 1\text{-}3/8''$ for the two handles and $\varnothing 3/4''$ to $1\text{-}3/8''$ for the spout assembly.
2. Unthread the **brass tee** (1), **hex nut** (2), **steel washer** (3), and **rubber gasket** (4) from the threaded nipple on the **spout** (5) and place it through the counter. Make sure the **O-ring** (6) on the **spout** (5) is compressed onto the counter. If desired, a bead of silicone may be applied between the spout base and counter.
3. Reassemble the **rubber gasket** (4) and **steel washer** (3) onto the **spout** (5) and tighten with the **hex nut** (2). Thread on the **brass tee** (1), making sure the tee gasket is compressed. Do not overtighten.
4. Disassemble the handles from the **deck valves** (11). Unthread the **handle assembly** (7) by the escutcheon and the brass **top lock nut** (10). Leave the **bottom lock nuts** (9) on the valves.
5. Secure the **deck valves** (11) to the counter by reassembling the brass **top lock nuts** (10) onto the valves, sandwiching the counter with the two lock nuts. For thin counters, the provided **plastic spacer** (12) may be used. The top of the valve cartridge should protrude $1/2''$ to $5/8''$ from the counter.
Note the different hot and cold deck valves by the red/blue stickers near the bottom of the valves.
6. Reassemble the **handle assembly** (7) onto the valves. Make sure the **O-ring** (8) is properly compressed onto the counter.
7. Flush the supplies prior to plumbing to the bottom of the deck valves. Use either $\varnothing 3/8''$ risers with the provided compression nuts or with $3/8''$ compression to $1/2''$ IPS flexible hoses (not provided).
8. Connect the side outlets of the deck valves to the spout brass tee with the provided **1/2'' flex hoses** (13) Check for leaks.
9. Install the soft touch drain (not shown) per its instructions.
10. If flow becomes slow or clogged, the **aerator insert** (14) can be removed and rinsed with the provided key.

IMPORTANT INSTALLATION INFORMATION

- Do NOT use Plumber's Putty on any of the brass components. This will cause the finish to tarnish and void the warranty. A non-corrosive alkoxy silicone is recommended.
- Refer to maintenance guide for finish care instructions.

For technical support, please call 718-257-2800