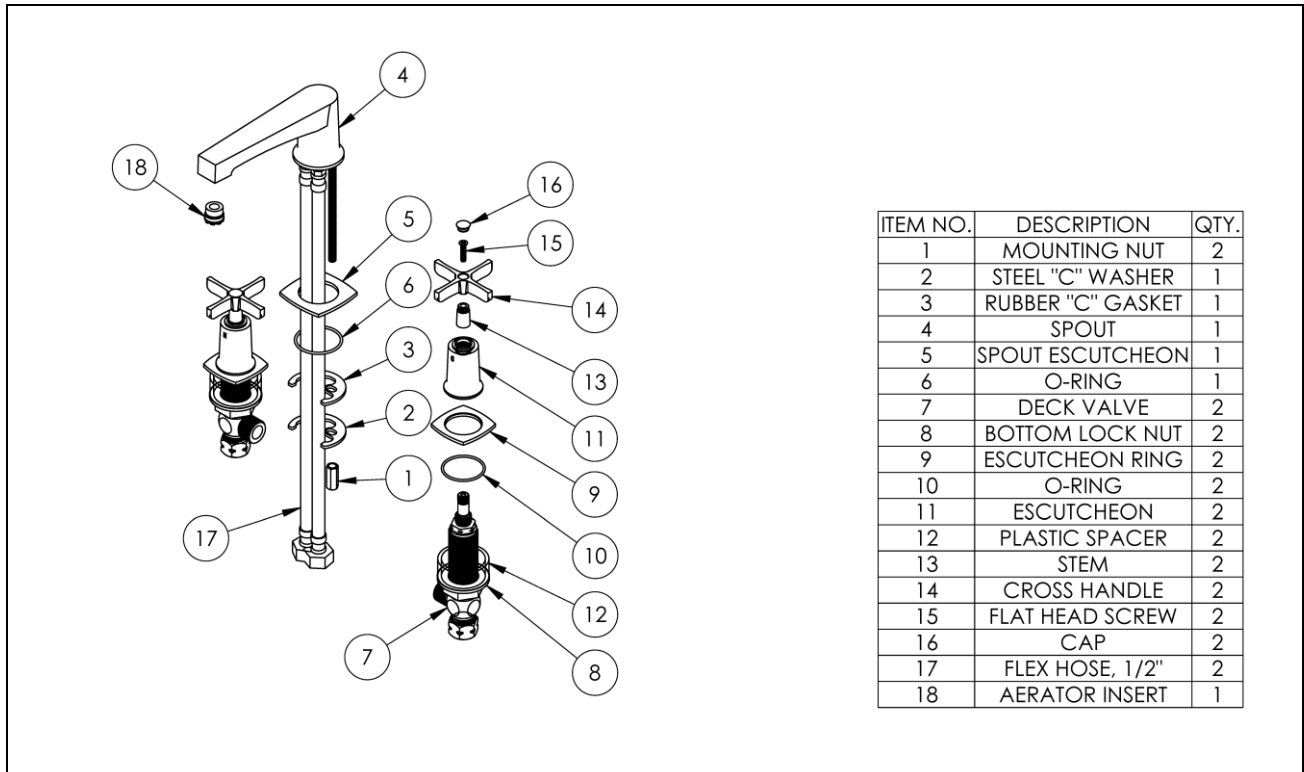
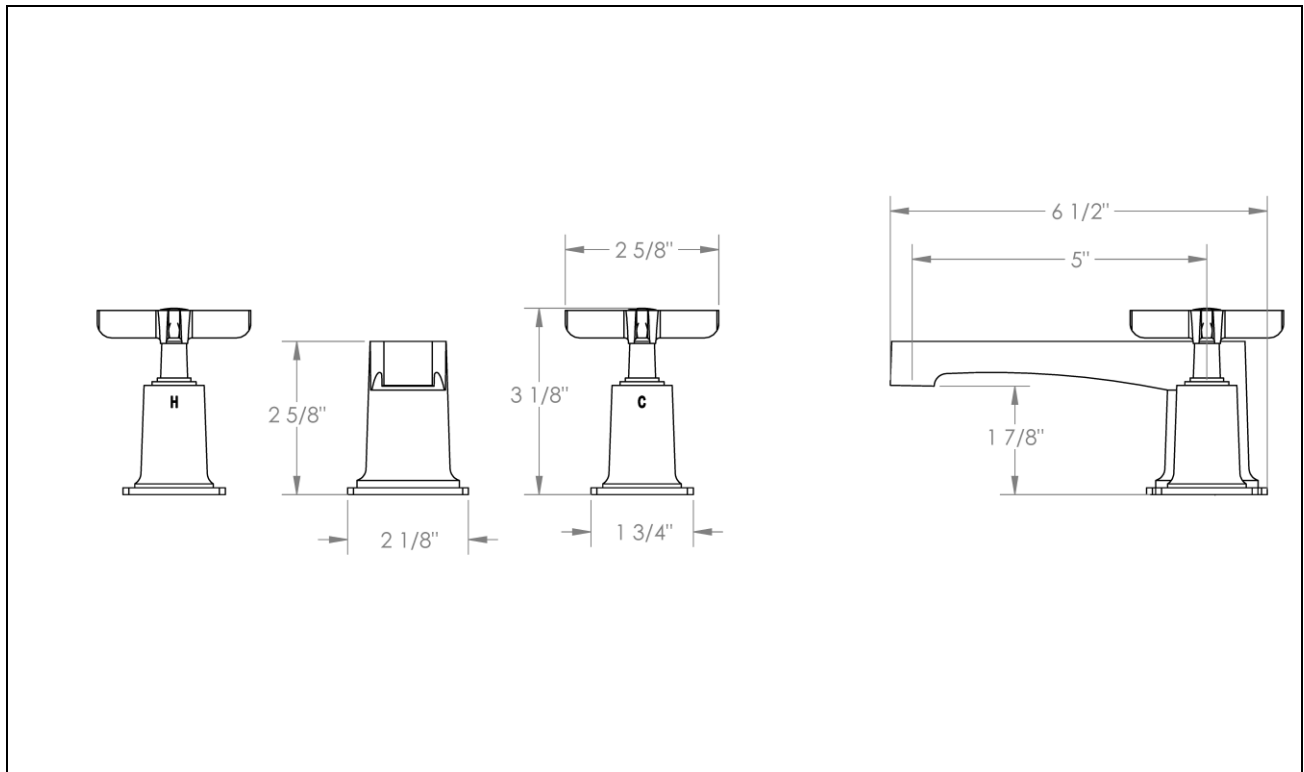


Exploded View



ITEM NO.	DESCRIPTION	QTY.
1	MOUNTING NUT	2
2	STEEL "C" WASHER	1
3	RUBBER "C" GASKET	1
4	SPOUT	1
5	SPOUT ESCUTCHEON	1
6	O-RING	1
7	DECK VALVE	2
8	BOTTOM LOCK NUT	2
9	ESCUTCHEON RING	2
10	O-RING	2
11	ESCUTCHEON	2
12	PLASTIC SPACER	2
13	STEM	2
14	CROSS HANDLE	2
15	FLAT HEAD SCREW	2
16	CAP	2
17	FLEX HOSE, 1/2"	2
18	AERATOR INSERT	1

Dimensions



Installation Instructions

1. Holes in the counter should be $\varnothing 1-1/8''$ to $1-3/8''$ for the two handles and $\varnothing 1-3/8''$ for the spout assembly.
2. Unthread the **mounting nuts** (1), **steel C washer** (2), and **rubber C gasket** (3) from the threaded rods on the **spout** (4) and place the spout through the counter through the **spout escutcheon** (5). Make sure the **O-ring** (6) is compressed onto the counter. If desired, a bead of silicone may be applied between the spout escutcheon and counter.
3. Reassemble the **rubber C gasket** (3) and **steel C washer** (2) onto the **spout** (5) and tighten with the **mounting nuts** (1).
4. Disassemble the handles from the **deck valves** (7). Leave the **bottom lock nuts** (8) on the valves.
5. Secure the **deck valves** (7) to the counter by reassembling the **escutcheon rings** (9) and **escutcheons** (11) onto the valves, sandwiching the counter, and compressing the **O-rings** (10). For thin counters, the provided **plastic spacers** (12) may be used. The top of the valve cartridge should protrude $2\ 1/4''$ from the counter.
Note the different hot and cold deck valves by the red/blue stickers near the bottom of the valves.
6. Reassemble the **stems** (13) and **cross handles** (14) onto the cartridge stem. Fasten with the **flat head screws** (15).
7. Insert the **caps** (16) onto the **cross handles** (14).
8. Flush the supplies prior to plumbing to the bottom of the deck valves. Use either $\varnothing 3/8''$ risers with the provided compression nuts or with $3/8''$ compression to $1/2''$ IPS flexible hoses (not provided).
9. Connect the side outlets of the deck valves to the spout with the assembled **1/2'' flex hoses** (17). Check for leaks.
10. Install the soft touch drain (not shown) per its instructions.
11. If flow becomes slow or clogged, the **aerator insert** (18) can be removed and rinsed with the provided key.

IMPORTANT INSTALLATION INFORMATION

- Do NOT use Plumber's Putty on any of the brass components. This will cause the finish to tarnish and void the warranty. A non-corrosive alkoxy silicone is recommended.
- Refer to maintenance guide for finish care instructions.

For technical support, please call 718-257-2800