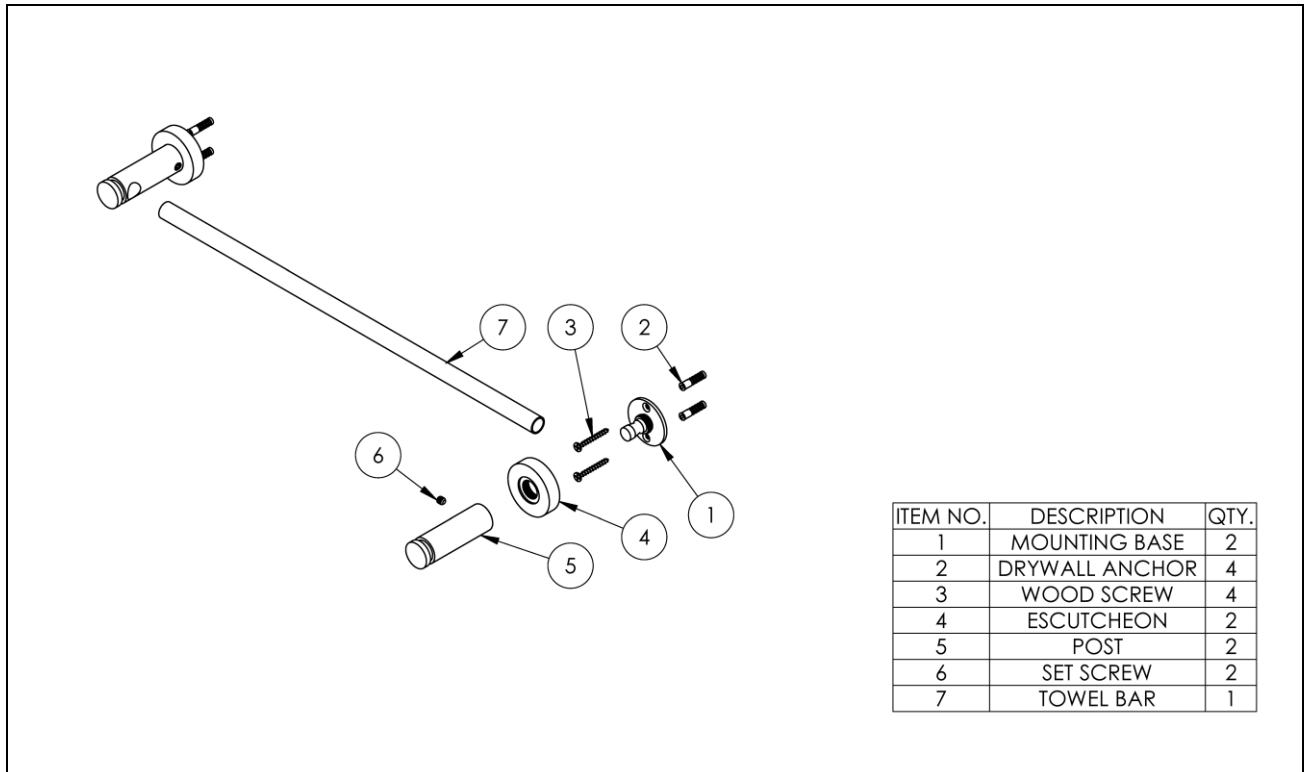
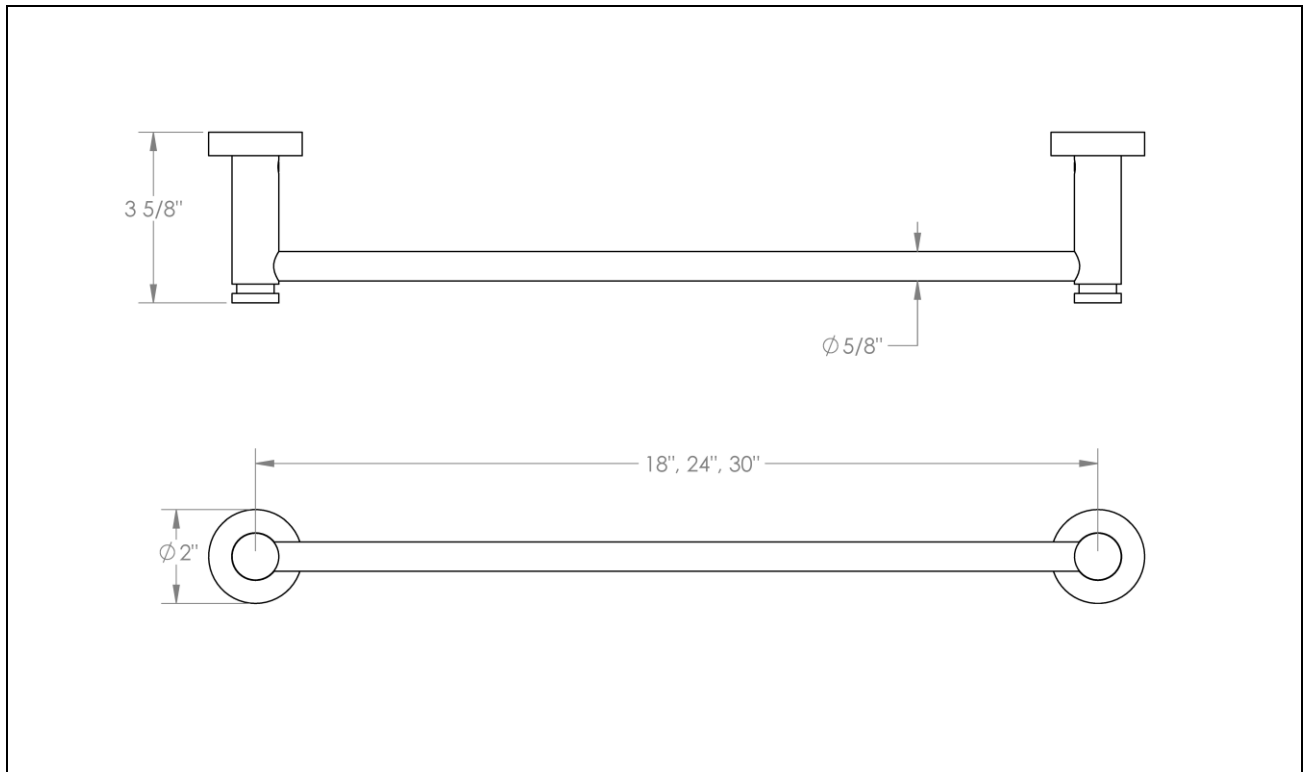


## Exploded View



## Dimensions



## Installation Instructions

1. Mark locations on wall using the **mounting bases** (1).
2. Drill appropriate hole sizes depending on whether the bases are being installed onto wood studs (recommended), drywall, or ceramic tiles. If mounting onto drywall, use the provided **drywall anchors** (2). Secure bases onto the finished wall with **wood screws** (3).
3. Thread the **escutcheons** (4) onto each mounting base
4. Slide the two **posts** (5) with **towel bar** (7) over both mounting shafts. Secure posts by tightening the **set screws** (6) with the provided Allen key.

### IMPORTANT INSTALLATION INFORMATION

- Bar may be field cut.
- Towel bars should not be used as grab bars.
- Refer to maintenance guide for finish care instructions.

**For technical support, please call 718-257-2800**