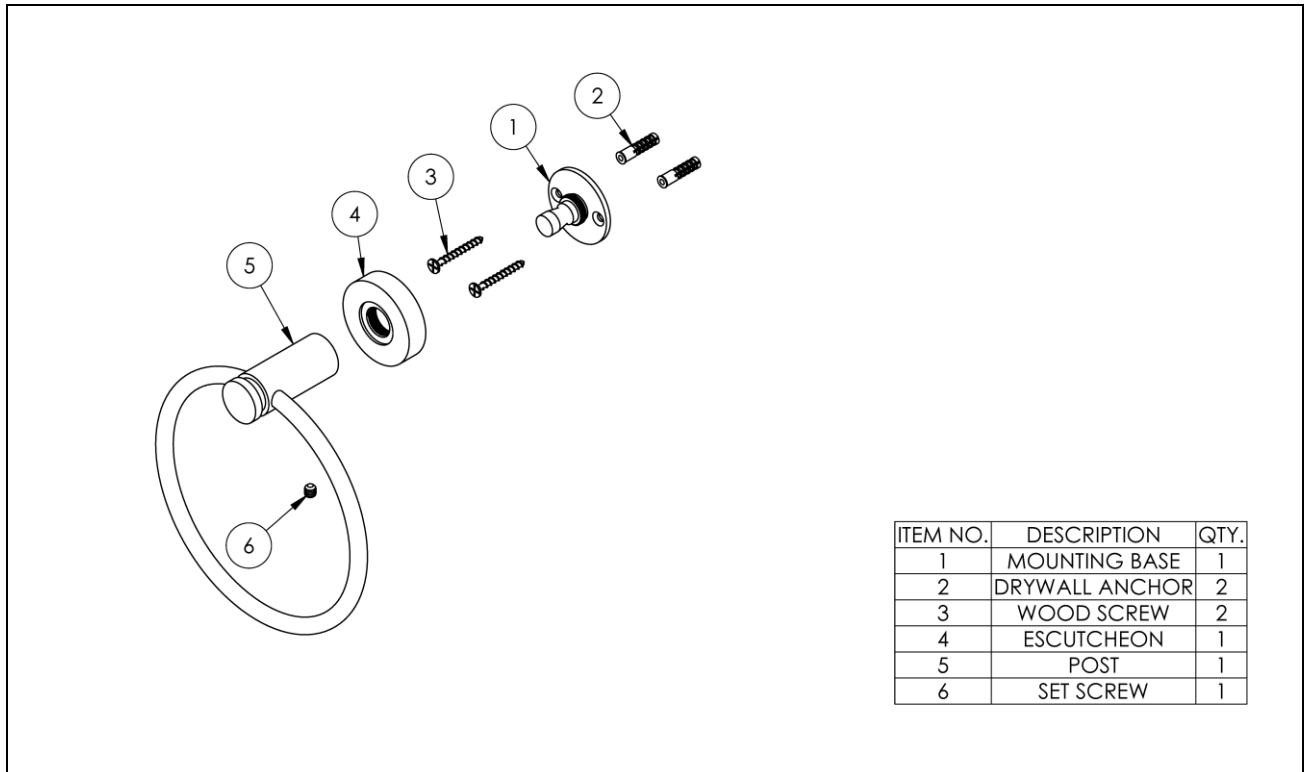
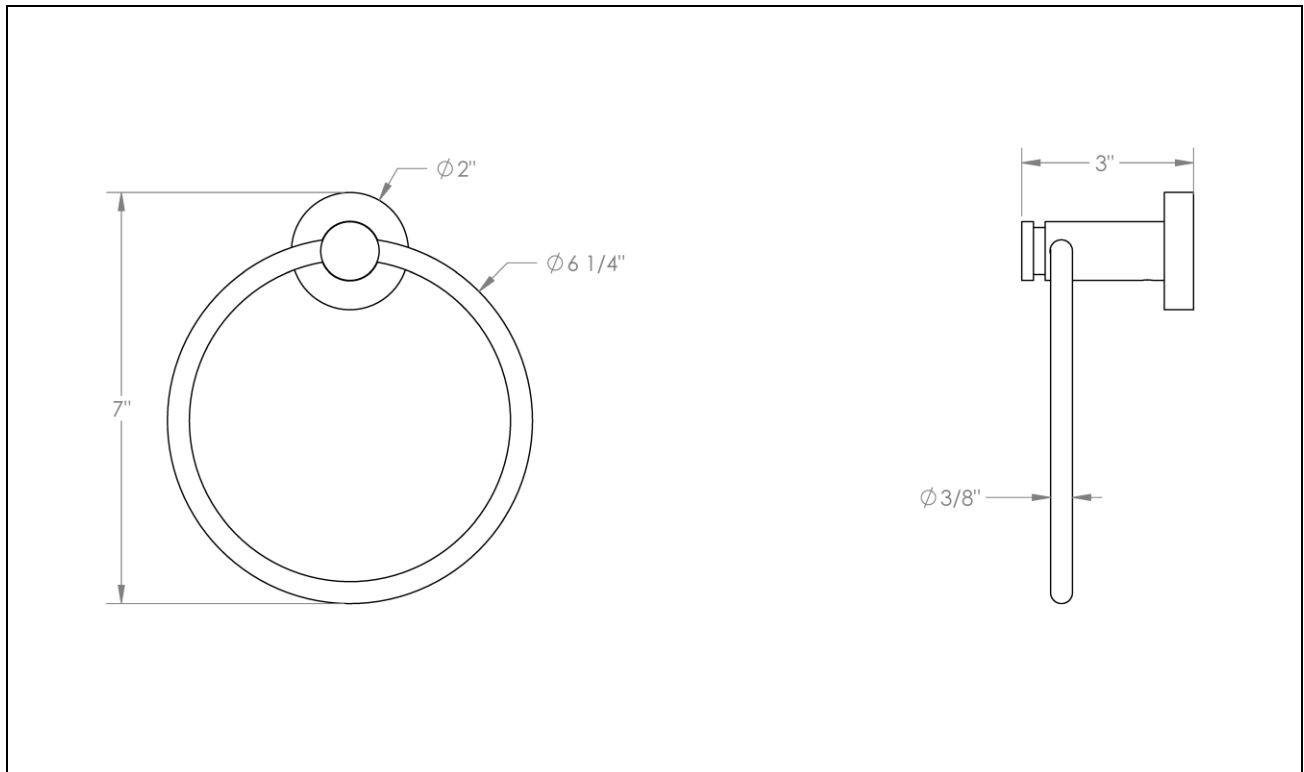


Exploded View



Dimensions



Installation Instructions

1. Mark locations on wall using the **mounting base (1)**.
2. Drill appropriate hole sizes depending on whether the bases are being installed onto wood studs (recommended), drywall, or ceramic tiles. If mounting onto drywall, use the provided **drywall anchors (2)**. Secure bases onto the finished wall with **wood screws (3)**.
3. Thread the **escutcheon (4)** onto the **mounting base (1)**.
4. Slide the **post (5)** with towel ring over the mounting shaft. Secure post by tightening the **set screw (6)** with the provided Allen key.

IMPORTANT INSTALLATION INFORMATION

- Towel ring is assembled to post and should not be removed.
- Refer to maintenance guide for finish care instructions.

For technical support, please call 718-257-2800