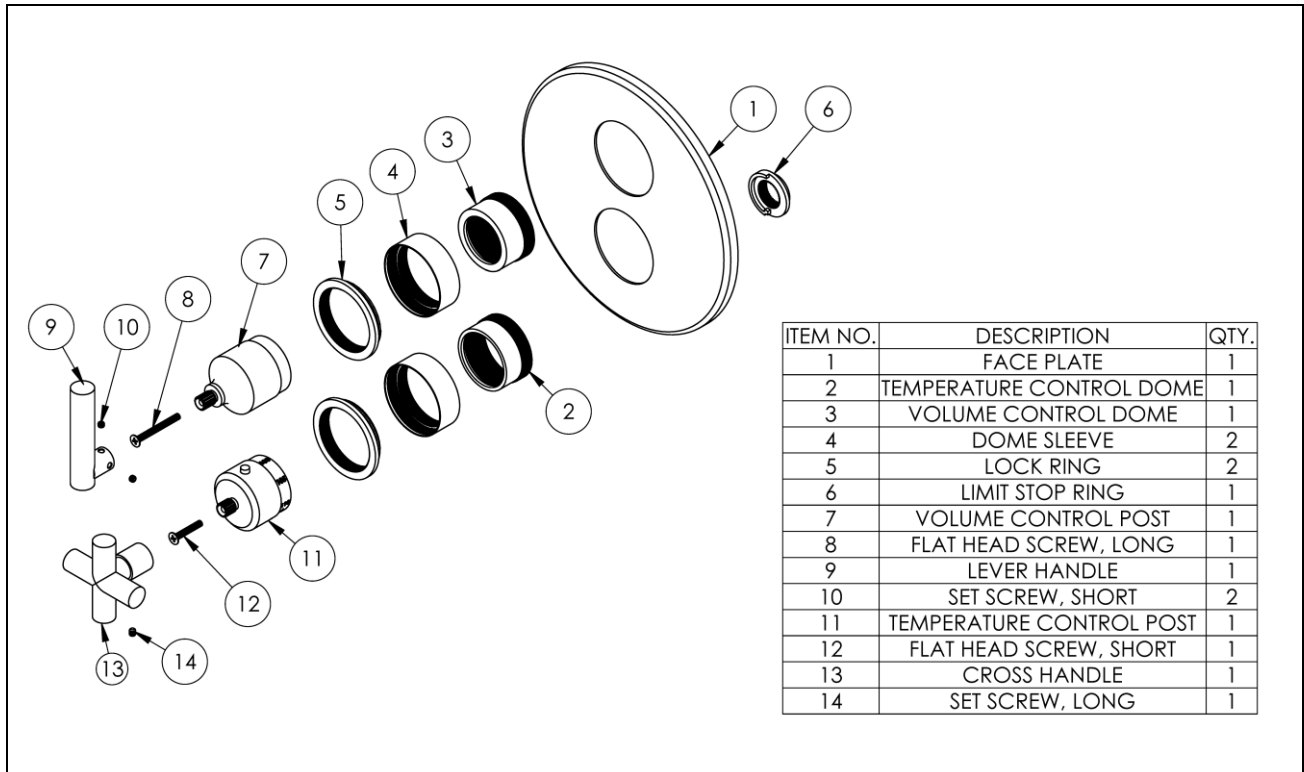
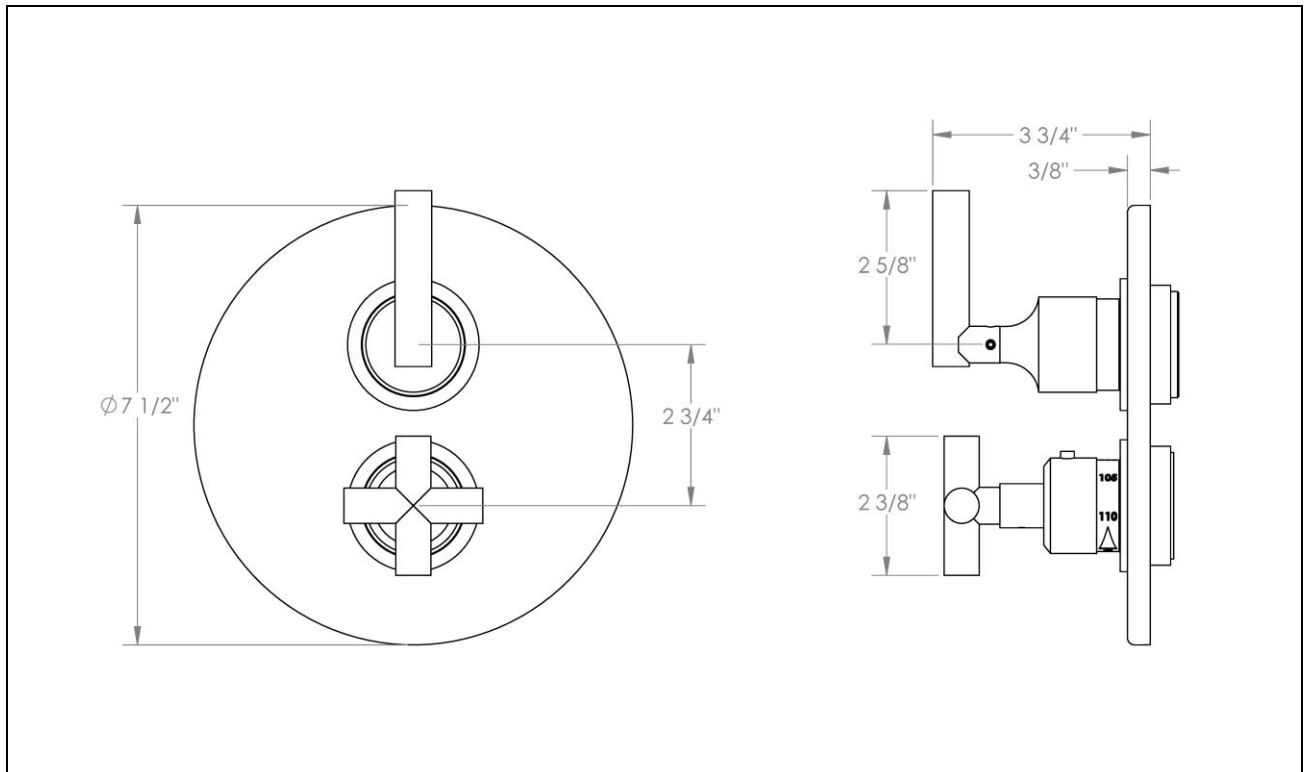


Exploded View



Dimensions



Installation Instructions

1. Ensure that the thermostatic valve is installed correctly such that the finished wall lies between the MIN and MAX lines. An extension kit may be required if the valve is too deep behind the wall.
2. Thread the **temperature control dome** (2) fully onto the bottom thread on the thermostatic valve.
3. Thread the **volume control dome** (3) fully onto the top thread on the thermostatic valve.
4. Thread the **lock rings** (5) fully onto the **dome sleeves** (4).
5. Slide the **face plate** (1) over the two control domes with the weep hole facing down. Hold it in place for step 5.
6. With the **lock rings** (5) and **dome sleeves** (4) fully engaged, thread the **lock rings** (4) onto the **temperature control dome** (2) and **volume control dome** (3), securing the **face plate** (1) to the finished wall.
Note that the sides of the domes may be visible after installation; this is to account for different depths.
If the threads of the **temperature control dome** (2) or **volume control dome** (3) are visible after fully tightening the **lock ring** (5) and **dome sleeve** (4) combo, the valve is too far out from the finished wall.
If the threads from the **dome sleeves** (4) do not engage the outer threads on the **temperature control dome** (2) or **volume control dome** (3) i.e. the **lock rings** (5) are bottoming out on the **face plate** (1), then the valve is too recessed in the finished wall.
7. Install the **volume control post** (7) onto the volume control cartridge of the thermostatic valve. Fasten with the longer **flat head screw** (8).
8. Install **lever handle** (9) onto the **volume control post** (7) and tighten the two **set screws** (10).
9. Install the **limit stop ring** (6) onto the corresponding spline on the thermostatic cartridge, with the red dot (stop position) at the 12 o'clock position.
10. Turn on the water by turning the volume control handle. Measure the water temperature. Turn the cartridge until the temperature reads 100°F. Do not overturn the cartridge or it may require recalibration.
11. Install the **temperature control post** (11) onto the cartridge stem, button facing up. Make sure the post is fully seated, pressing the override button if necessary. Fasten with the shorter **flat head screw** (12).
12. Install the **cross handle** (13) onto the **temperature control post** (11) and tighten the **set screw** (14).

IMPORTANT INSTALLATION INFORMATION

- Do NOT use Plumber's Putty on any of the brass components. This will cause the finish to tarnish and void the warranty. A non-corrosive alkoxy silicone is recommended.
- Refer to maintenance guide for finish care instructions.

For technical support, please call 718-257-2800