

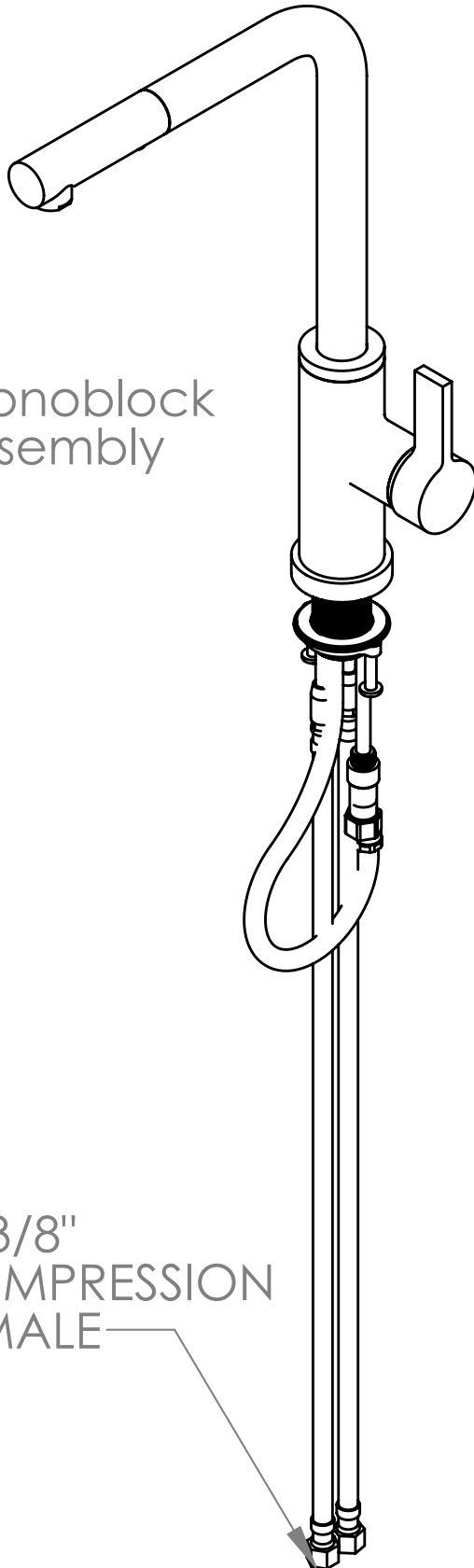
Installation Instructions

for Deck Mounted Monoblock Faucets



The 37-7.3P1-BL2 will be used as an example in this manual.
Applicable for all 7.3P1, 7.3PG2, 7.3P3, 7.3PG4, 9.3P1, and 9.3PG2 models.

PARTS BREAKDOWN



Monoblock
Assembly

Hose Weight

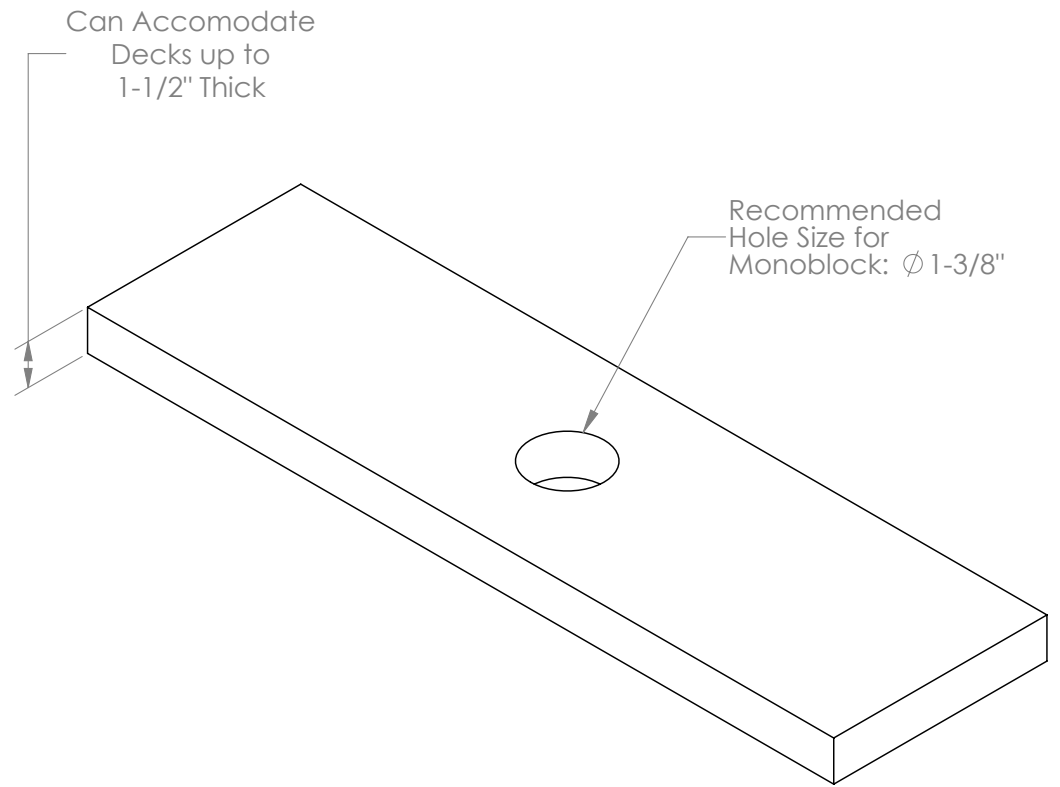


2x 3/8"
COMPRESSION
FEMALE

You will need:
- 1 x Screwdriver

1. Prepare the mounting surface

Make 1 hole in the mounting surface following the requirements shown on the drawing.

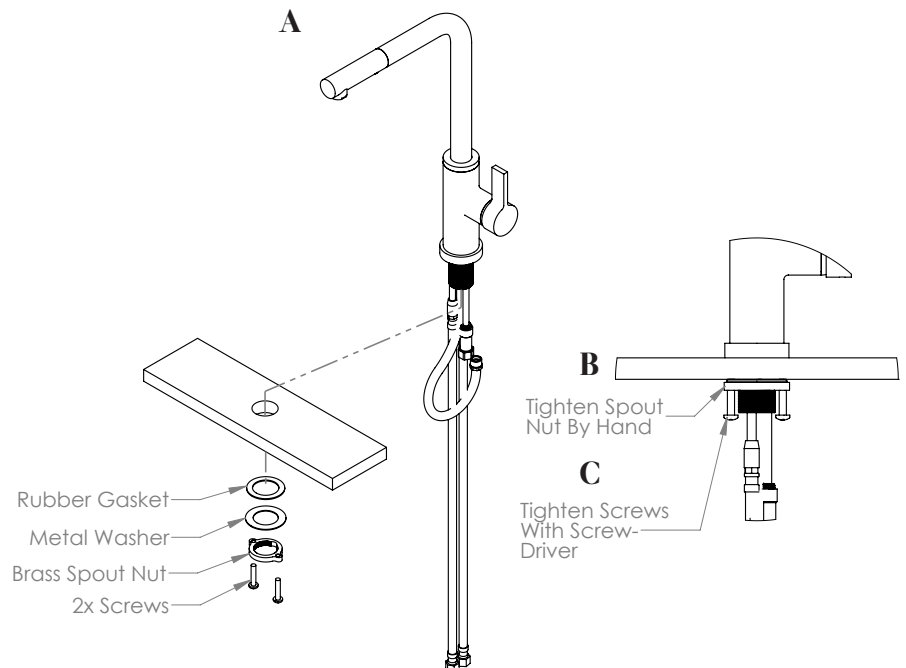


2. Install the monoblock

[A] Insert the monoblock assembly through the hole in the mounting deck. Thread the spout nut onto the bottom of the spout nipple.

[B] Tighten the spout nut on the spout nipple by hand, compressing the metal washer and rubber gasket against the bottom of the mounting surface.

[C] Use a screwdriver to tighten the two screws on the spout nut against the metal washer as much as possible.



NOTE: Hose length shown is not to scale

3. Install the hose weight and hose connection

[A] Attach the hose weight on the side of the hose loop that goes into the spout. Adjust the location based on how much you need the pull-out spray to extend.

[B] Connect and screw the end of the hose to the riser outlet at the bottom of the spout if it has not been connected yet.

[C] Connect the ends of the flex hoses to a supply stop (sold separately).

