

# WATERMARK

BROOKLYN, NEW YORK

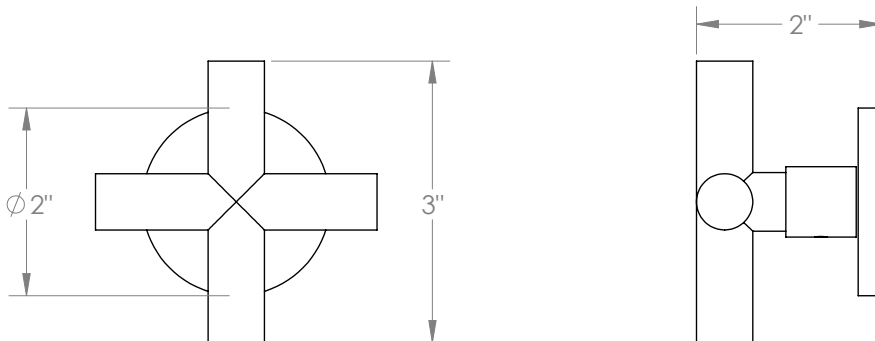
*Loft 2.0*  
**23-WTR-L9**

Wall Mounted Handle Trim



- Brass construction
- For Use With: SS-TS150, SS-TS200, SS-VCWD2, SS-VCWD3, SS-WD2(SH), SS-WD3(SH)
- Professional installation required
- Extension Kit: EXT20

Available in all finishes shown on the [Watermark Designs website](#)



Meets the applicable requirements of ASME A112.18.1/CSA B125.1, entitled "Plumbing Supply Fittings".

Watermark Designs reserves the right to make revisions without notice to product specifications. All product dimensions are nominal.

03/2024

350 Dewitt Ave. Brooklyn, NY 11207 USA | T: 1 718 257 2800 | F: 1 718 257 2144 | [customerservice@watermark-designs.com](mailto:customerservice@watermark-designs.com)