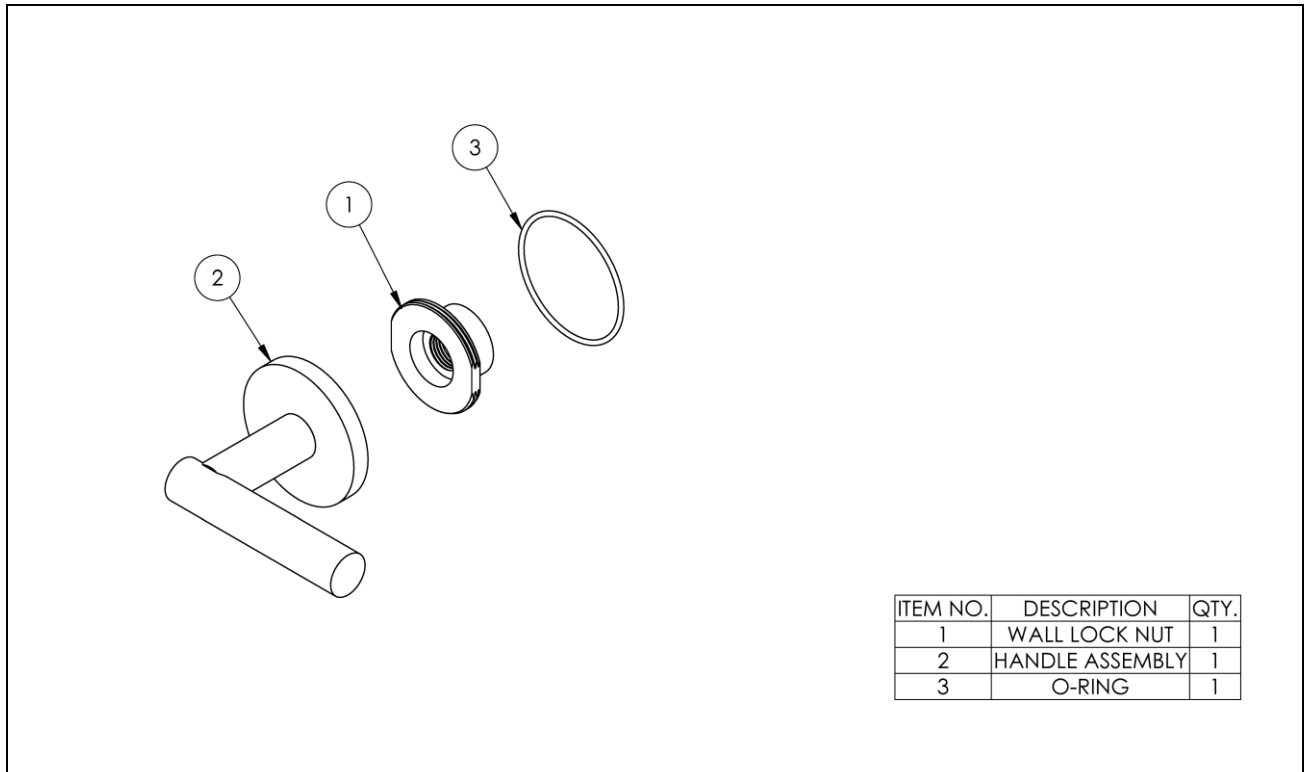
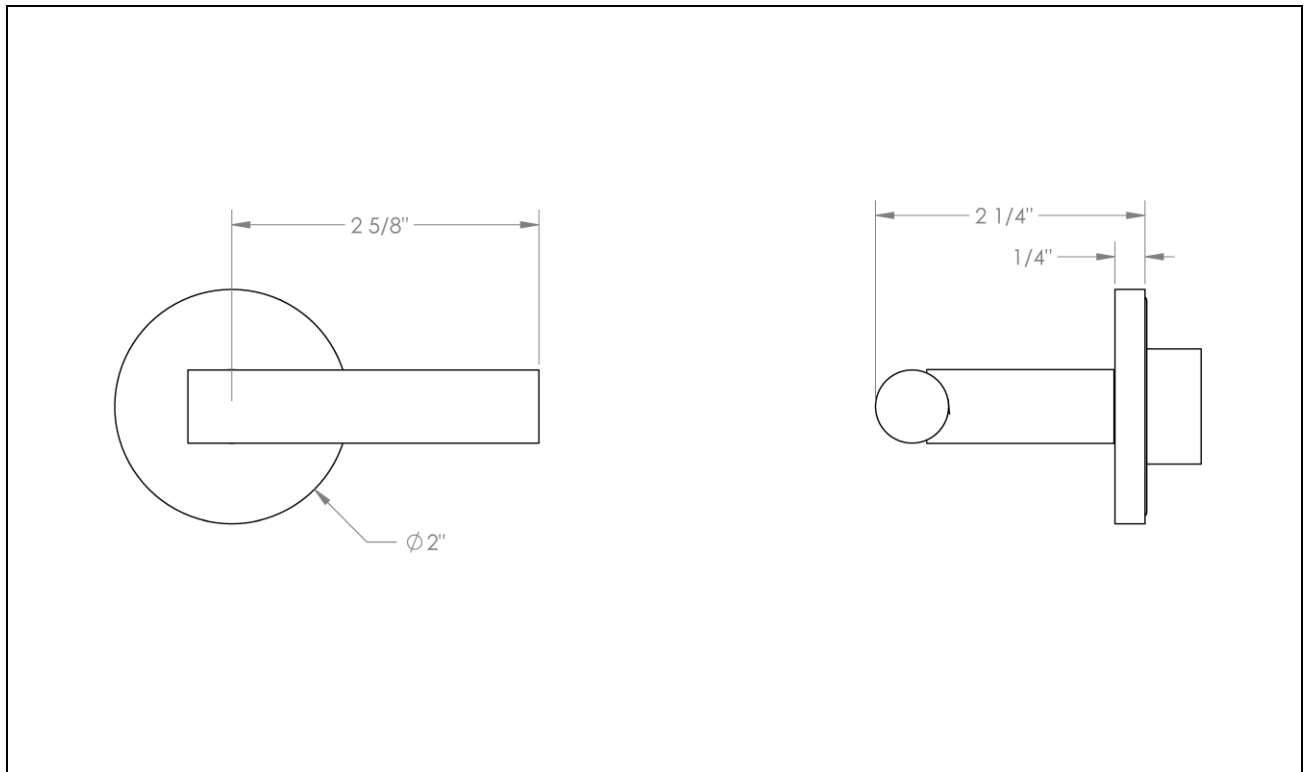


## Exploded View



## Dimensions



## Installation Instructions

1. Ensure that the required valve is installed correctly such that the finished wall lies between the MIN and MAX lines of the mudguard. An extension kit may be required if the valve is too deep behind the wall.
  2. The all-thread should end 1/8" behind the finished wall.
  3. The cartridge stem should end 1/2" to 9/16" in front of the finished wall.
  4. Thread the **wall lock nut** (1) onto the all-thread until it contacts the finished wall.
  5. Slide the **handle assembly** (2) onto the cartridge stem and thread its escutcheon onto the wall lock nut until the back of the escutcheon contacts the finished wall and the **O-ring** (3) is compressed. If desired, a bead of silicone may be applied in between the wall and escutcheon.
- Note: Do not disassemble the handle.

### **IMPORTANT INSTALLATION INFORMATION**

- Do NOT use Plumber's Putty on any of the brass components. This will cause the finish to tarnish and void the warranty. A non-corrosive alkoxy silicone is recommended.
- Refer to maintenance guide for finish care instructions.

**For technical support, please call 718-257-2800**