



SUBMITTAL SHEET

9920 • 1/2 H.P.
PROFESSIONAL 3-BOLT MOUNT SYSTEM

- Space saving compact design!
- High-speed 2600 r.p.m. permanent magnet motor produces more power per pound.
- Corrosion resistant grinding components.
- Longest warranties in the industry demonstrates commitment to quality.
- Safe for properly sized septic tanks.

SEPTIC SAFE

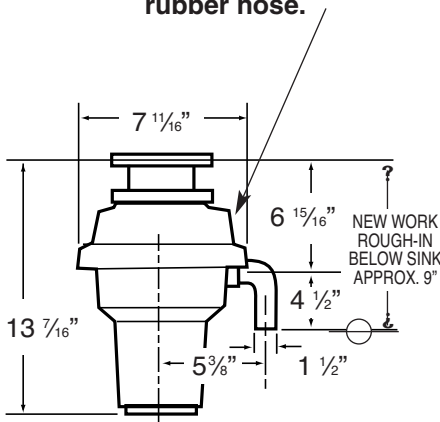


2 Year In-Home Service Warranty
(see below).



DIMENSIONS

Knock-out for dishwasher drain connector sized for 7/8" I.D. rubber hose.



Measurements are in inches

SPECIFICATIONS

Motor Horsepower	1/2 H.P.
Motor Speed R.P.M.	2600
Voltage	115
Hz	60
Current-Amps	4.5
Motor Type	Permanent Magnet
Sink Flange	Stainless Steel
Stopper/Actuator	Positive Seal
Splash Guard	Not Removable
Waste Elbow	ABS
Feed	Continuous
Grind Ring	Heavy Gauge Steel
Swivel Impellers	Stainless Steel
Turntable	Galvanized Steel
Hopper	Glass Filled Nylon
Grinding Chamber	Corrosion Proof Glass Filled Polyester
Bearings	Permanently Lubricated; Sleeve Type
Overload Protector	Manual Reset Type
Shipping Weight (lbs.)	10.62
Pallet Quantity	196

36" power cord is included.

Due to continued product improvement, specifications may change without notice.

WARRANTY

Any Model 9920 less than 2 years old that develops a material or mechanical defect will be replaced in your home free of charge.

Anaheim Manufacturing

4240 E. La Palma Avenue • Anaheim, California 92807
(800) 854-3229
www.wasteking.com