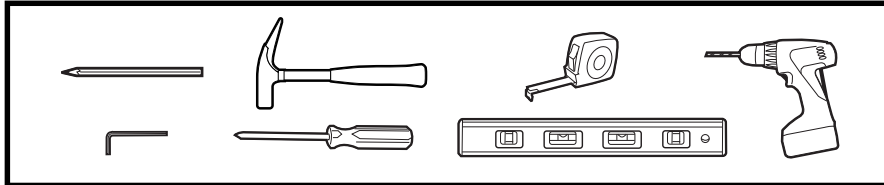


TOOLS REQUIRED



INSTRUCTIONS

Before using this product, please read the following instructions carefully and keep this pamphlet for future reference.

ABOUT THE PRODUCT:

This heated towel warmer is designed for drying/warming towels or clothes, it has a surface stabilized temperature of 122-131°F, and it is used in household bathrooms and kitchens, as well as in hotels and restaurants or other public areas. This appliance uses a voltage of 120 VAC, and is manufactured according to cULus standards.

SAFETY PRECAUTIONS:

1. The towel warmer must be used with a Ground Fault Circuit Interceptor (GFCI) circuit.
2. This product is supplied with a three-prong plug or three-wire cable.
To avoid unnecessary risk or danger, this product must be properly grounded.
3. Any repairs must be done by a qualified technician who is deemed qualified by industry standards. When any external wire fittings are required, the unit must be disconnected from the circuit.

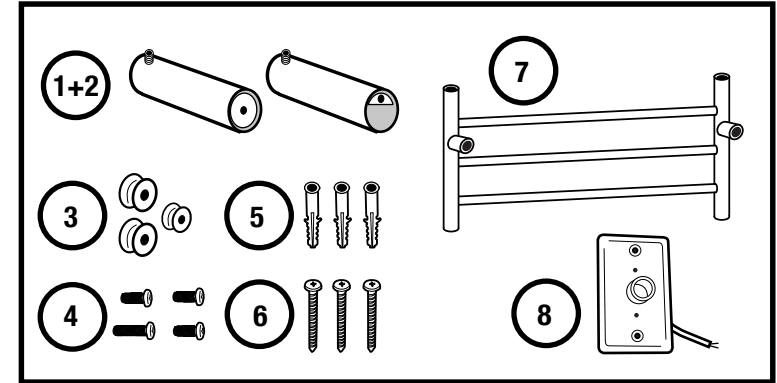
WARNING:

1. Only use for drying textiles which have been dampened by water.
2. If heating wire is damaged, the whole product should be replaced.

NOTE:

1. In the event of any difference in technical specifications, please refer to the actual product.
2. Please wipe the towel rail with a soft, dry cloth when cleaning it.
Do not use scrubbers or abrasive cleaners.

ACCESSORIES FOR SQUARE/ROUND MOUNTING TUBES



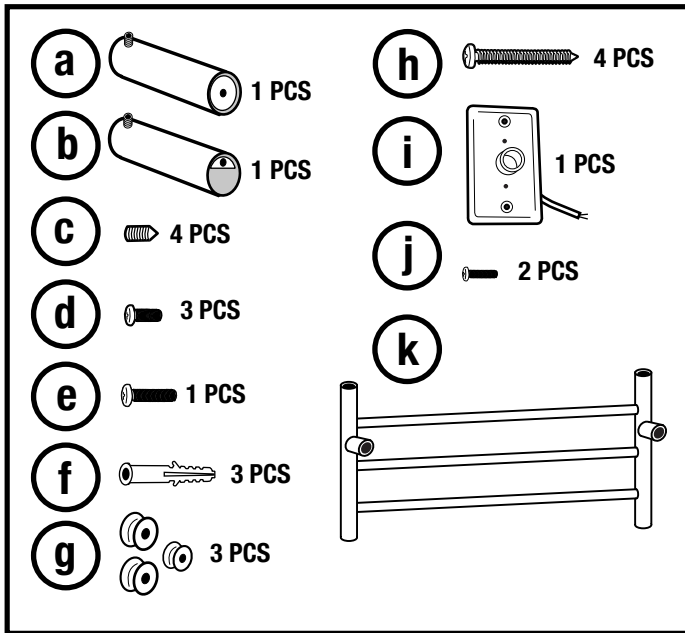
Installation Fittings:

- (1+2): Mounting tubes (2 pieces) & Set screws (4 pieces)
- (3) 3 brackets (2 large, 1 small)
- (4) Short mounting screws (3 pieces) Long mounting screw (1 piece)
- (5) Drywall anchor (3 pieces)
- (6) Long screws (3 pieces)
- (7) Mounting Shelf (1 piece)
- (8) Power-source faceplate with mounting bracket (1 piece)

This product must be installed in accordance with the instructions in the manual and the NEC and CEC guidelines relating to electrical fixtures in bathrooms. **The Towel Warmer must be on a GFCI protected circuit and be wired by a professional who is certified to do electrical wiring.**

In order to reduce electrical shock, this towel warmer should be installed on a 15A GFCI protected branch circuit (14AWG) and to an outlet box that is 4 inches (10.16 cm) high by 2 Inches (5.08 cm) wide.

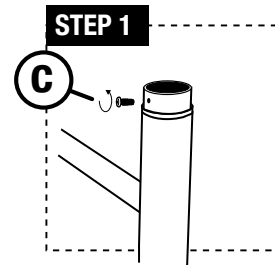
ACCESSORIES



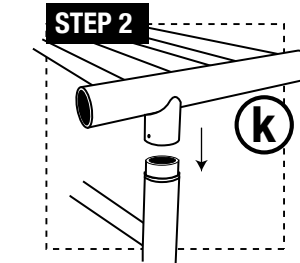
INSTALLATION: (WARNING: The electrical connection should avoid all water.)

Please refer to all the following steps if the wall brackets are taken apart from the vertical bars.

Please refer to Steps 5-10 if the wall brackets are fixed on vertical bars already.

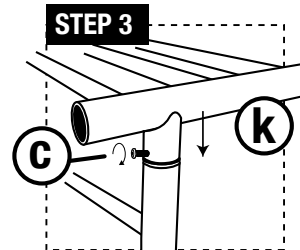


STEP 1: Remove and set aside the set screws (c) from the top of the main assembly.

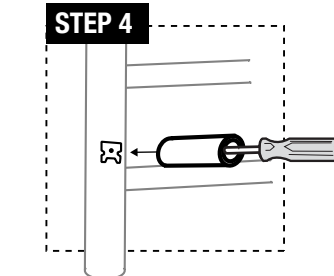


STEP 2: Slide the mounting shelf's collared feet (k) over the top of the main assembly so that the mounting shelf is perpendicular to the main assembly.

Note: the hole's in the mounting shelf should face the same direction as the wiring from the back of the main assembly.

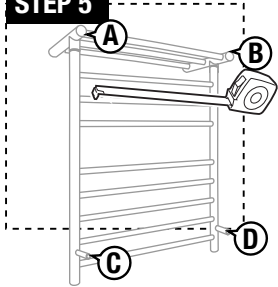


STEP 3: Secure the mounting shelf (k) to the main assembly by using the set screws (c) from Step 1.



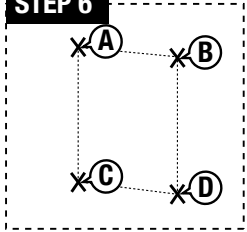
STEP 4: Insert the short mounting screw (d) through the tube in the center of the mounting tube (a).

STEP 5



STEP 5: Use a tape measure to measure the distance between the center points of each wall bracket tube; record the distances between points AB, AC, CD, and BD. Mounting point C will determine electrical box location. See Electrical Assembly in following instructions.

STEP 6



STEP 6: Mark A, B, C, and D according to the data from Step 5; It is suggested that this product be installed at least 23.5 inches (59.69 cm) above floor level. (WARNING: The electrical connection should avoid all water). This mounting location must comply with all local building and electrical codes.

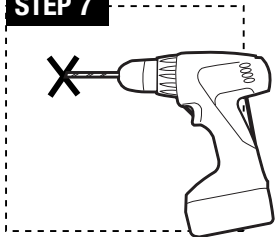
ALTERNATIVE TO STEPS 5 & 6

Place towel warmer on the box (or a large sheet of paper) and lay on a flat surface with mounting tubes facing downwards. Mark the location of the following:

- The electrical collar (hardwired model only)
- The location of the mounting tubes

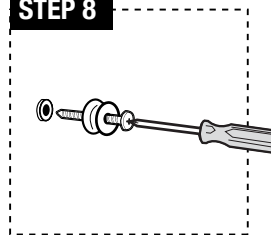
Use the template as a guide to mark the wall with the correct locations of the four mounting tubes (A, B, C, and D)

STEP 7



STEP 7: Drill A, B, C, and D holes with an appropriately sized bit. Use a hammer to knock plastic drywall anchor (f) into wall completely.

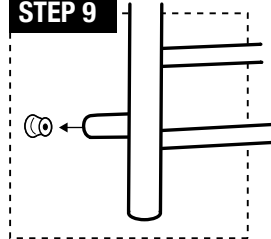
STEP 8



STEP 8: Insert long screw (h) through mounting bracket (g), then screw into plastic drywall anchor (f).

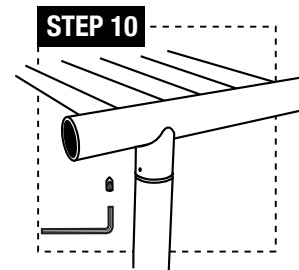
Note: the two larger brackets are designed to be used to secure the mounting shelf. The smallest bracket should be used to secure one of the mounting tubes, while the other is secured by the power-source faceplate with mounting bracket.

STEP 9



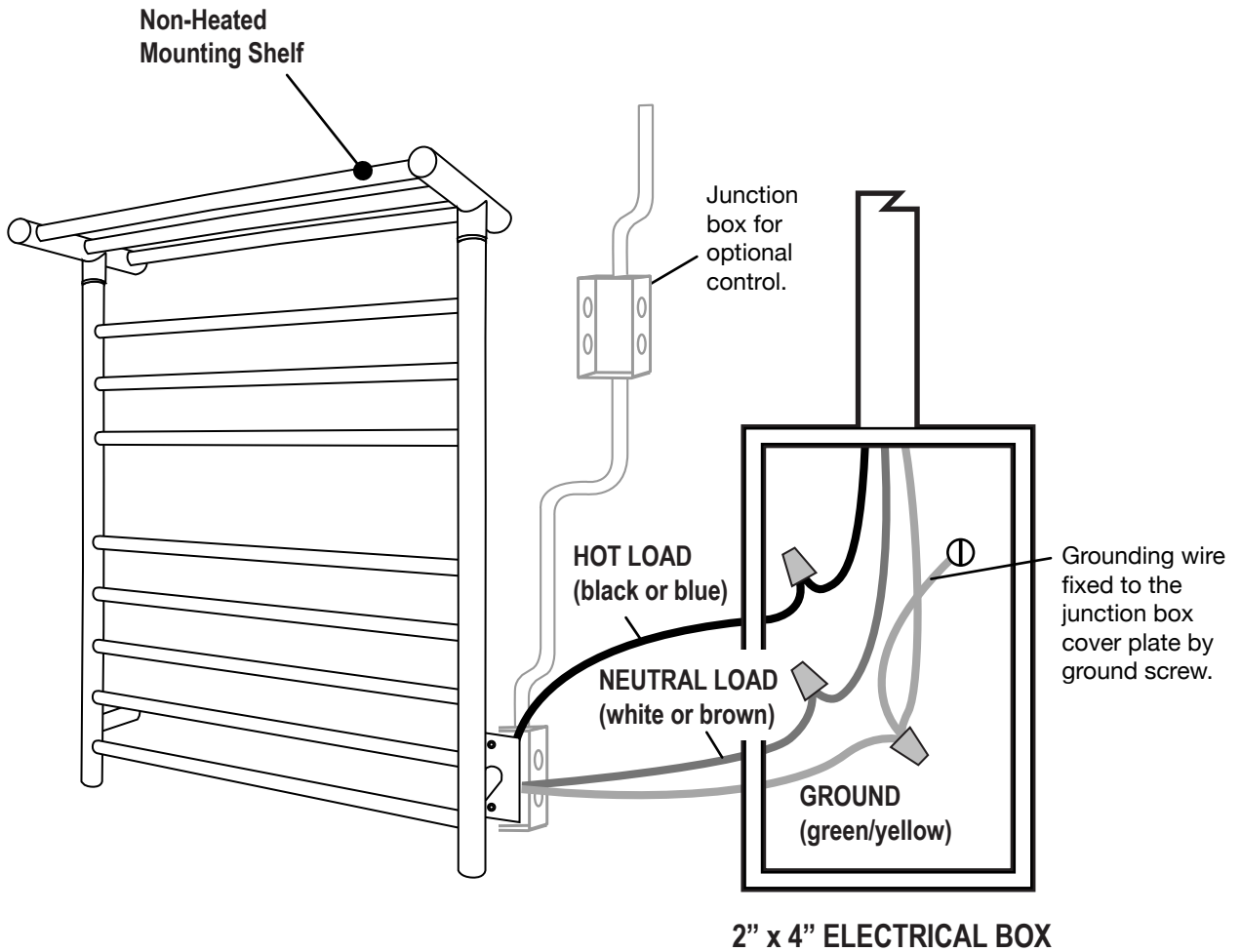
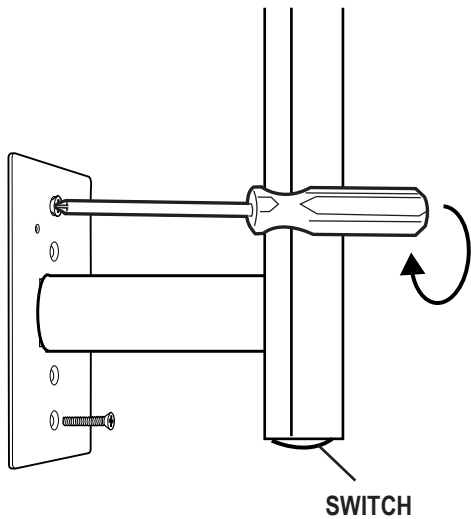
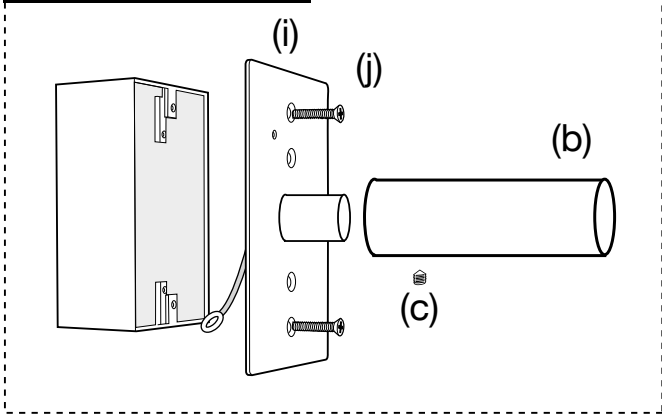
STEP 9: Install the tube (a and b) onto the bracket (g).

STEP 10



STEP 10: As shown in the picture, install the set screws (c) into the hole of all the tubes (a,b and k) using the allen wrench; fix the tube (a,b and k) onto the mounting bracket (g).

ELECTRICAL ASSEMBLY



CAUTION:
To provide continued protection against risk of electric shock,
connect to properly grounded outlets only.