

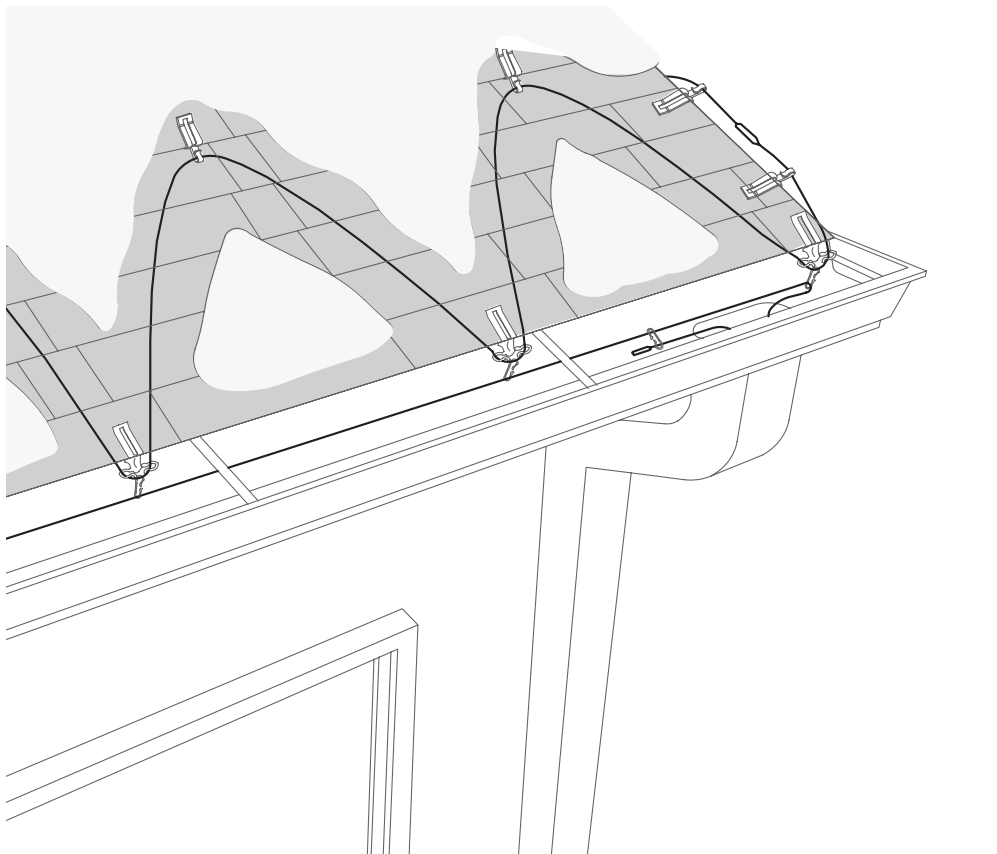


**WarmlyYours**  
Radiant Heating

## **Deicing Kit for Roof & Gutter ETC**

### **Installation Manual**

### **USE AND CARE GUIDE**



Questions, problems, missing parts?  
Call the WarmlyYours 24/7 Technical Support Team

**1-800-875-5285**

**WARMLYYOURS**

---

THANK YOU

We appreciate the trust and confidence you have placed in WarmlyYours through the purchase of this [deicing kit]. We strive to continually create quality products designed to enhance your home. Visit us online to see our full line of products available for your home improvement needs. Thank you for choosing WarmlyYours.

# Table of Contents

Table of Contents .....	2
Safety Information .....	2
Limited Warranty And Liability .....	3
Pre-installation Planning & Information.....	3
Roof, Gutter & Downspout Material Requirements.....	4
Electrical Requirements .....	4

Materials Needed For Installation .....	6
Installing The Cable .....	7
Maintenance And Operation Of The Cable .....	15
Removing The Cable For Roof Repair .....	16
Appendix A: Estimating The Cable Length You Need .....	16

# Safety Information



**WARNING:** Improper installation, use or maintenance of this heating cable may result in personal injury or death from electric shock or fire. It may also result in property damages. Read and follow all instructions described in this manual. After carefully reading this instruction manual, if you still have questions, contact WarmlyYours for assistance. Keep this manual for future references.

To properly and safely use this electrical heating cable, adhere to the remainder of the precautions listed in this Safety Information section.

**NEVER:** Use an extension cord or a damaged cable. If you do not understand the electrical requirements needed regarding the electrical receptacle plug, contact your local electrical inspector or a licensed electrician.

**Avoid overheating the cable:**

Do not allow the heated portion of an operating heating cable to touch or overlap itself or to touch another heating and/or deicing cable.

Do not operate the cable in warm weather (above 50°F or 10°C).

Do not install the heating cable where it might be warmed by any source of heat, such as an exhaust vent or chimney.

**Do not cut or modify the cable in any way:**

Do not cut or splice the cable.

Do not paint or expose it to chemicals, such as glue, caulk or adhesive.

Do not install this product to remove ice dams that have already formed or to clear the roof of ice and snow. Do not use this deicing cable for any other purposes than the one explain in this manual.

Do not use this heating cable for melting snow on sidewalks or for preventing pipes from freezing.

**ALWAYS:** Use an 120 Volt AC outdoor receptacle.

The heating cable system has to be grounded.

The heating cable has to be ground fault protected.

The heating cable has to be on a circuit that has an appropriate current (amp) rating.



The heating cable has to have an on/off switch that has an indicator light (pilot light).

The heating cable has to be protected from water and/or bad weather.

The receptacle box has to be within 6 ft. of the heating cable starting point. The starting point of the cable has to be on the roof.

See Electrical Requirements section on pages 4-5 for the details.

**NOTICES:** Keep all combustible materials away from the cable: (leaves, pine needles, seeds or wind trash).

Do not attach the cable to combustible material (anything with wooden parts of the leaf).

If you are installing gutter guards leave at least 1/2 in. clearance between the gutter guard and the heating cables.



Do not use or install a cable that is damaged. Signs of damages include such things as cuts, cracks, discoloration, and bare wire.

Use this product only as intended and described in this manual.

To prevent creases, it should be assured that the minimum bending radius is 1 in..

## LIMITED WARRANTY AND LIABILITY

The manufacturer warrants that if there are any defects in material or workmanship in this product during the first twenty four (24) months after the date of its purchase, we will replace the product with an equivalent model, not including any labor or other installation costs.

Our obligation to replace the product as described above is conditioned upon (a) the installation of the product conforms to the specifications set forth in our installation instructions and (b) the product not having been damaged by unrelated mechanical or electrical activities.

Product replacement as described above shall be your sole and exclusive remedy for a breach of this warranty. This limited warranty does not cover any service costs relating to repair or replacement.

We shall not be liable for any incidental, special or consequential damages as a result of any breach of this warranty or otherwise, whether or not caused by negligence. Some states do not allow the exclusion or limitation of incidental or consequential damages, so the above limitation or exclusion may not apply to you.

The warranty above is exclusive and makes no other warranties with respect to description or quality of the product. No affirmation of fact or promise made by us, by words or action, shall constitute a warranty. If any model or sample was shown to you, the model or sample was used merely to illustrate the general type and quality of the goods and not to represent that the goods would necessarily be of that type or nature. No agent, employee or representative of ours has authority to bind us to any affirmation, representation or warranty concerning the goods sold unless such affirmation, representation or warranty is specifically incorporated by written agreement.

ANY IMPLIED WARRANTY OF MERCHANTABILITY OR FITNESS FOR PARTICULAR PURPOSE THAT MAY ARISE IN CONNECTION WITH THE SALE OF THIS PRODUCT SHALL BE LIMITED IN DURATION TO TWENTY FOUR (24) MONTHS FROM THE DATE OF PURCHASE. WE DISCLAIM ALL OTHER IMPLIED WARRANTIES, UNLESS WE ARE PROHIBITED BY LAW FROM DOING SO, IN WHICH CASE ALL SUCH IMPLIED WARRANTIES SHALL EXPIRE AT THE EARLIEST TIME PERMITTED BY APPLICABLE LAW. Some states do not allow limitations on how long an implied warranty lasts, so the above limitation may not apply to you.

This warranty gives you specific legal rights, and you may also have other rights which vary from state to state or province to province.

To obtain a replacement under this warranty any inoperative product or component must be returned, with proof of purchase, to WarmlyYours. Buyer is responsible for all costs incurred in removal and re-installation of product and must pre-pay shipment to factory or point of purchase.

## PRE-INSTALLATION PLANNING & INFORMATION

### A. The Purpose of the Heating Cable

This deicing cable is designed to prevent ice buildup, known as ice dams, from forming on roofs and in gutters and downspouts. When properly installed and operated, this product creates a path for melted snow or ice ("melt water") to drain from the roof to the ground.

### B. Who Should Install This Heating

A licensed electrician if you are unsure about the requirements listed below or what you may need to do is to meet all applicable electrical codes and ordinances.

### C. When to Install the Cable

The deicing cable may be installed when:

- There is no ice or snow on the roof

This cable was designed to make a clear path for snow and ice that is already melted.

To prevent future ice dams, you can install the deicing cable once the ice and snow have melted and before the next winter season.

Do not use this cable to melt snow and ice that has already formed on your roof or in your gutters or downspouts, as you would not be able to attach the cable properly with the clips.

## PRE-INSTALLATION PLANNING & INFORMATION

- The temperature allows for lifting of the shingle tabs  
In general, the temperature should be between 32°F and 80°F (0°C and 27°C). Below 32°F (0°C), shingles are brittle and may break off when lifted to install the cable clips. Above 80°F (27°C), shingles may be hot and may tear when lifted to install the cable clips.

### D. Determining Where the Cable Should be Installed

The cable should be installed on roof areas where ice dams or excessive snow are likely to form. An ice dam is where snow has melted on an upper roof surface, but the area below is still snow and/or ice covered.

Cable should also be installed in any nearby gutters, downspouts and/or valleys so that a clear path is provided for melted water.

If your previous ice dam problems have only included ice forming in the gutter and there are no ice dam problems on the roof, install the cable in the gutter and downspouts only.

### E. The Heating Cable Length Checking Should be Installed

After you have determined what areas need the installation of the heating cable see

Appendix A to verify the length of cable that will be needed.

## ROOF, GUTTER & DOWNSPOUT MATERIAL REQUIREMENTS

### This kit is only designed for use on:

- Metal or plastic gutters/downspouts
- Inclined roofs
- Roofs with noncombustible shingles (Ex.: asphalt shingles) that meet national building codes



**WARNING:** Use of this kit on any other type of roof, gutter or downspout increases the risk of ice dam formation or injury or death from electric shock or fire.

Do not use this kit on any other type of roof, gutter and downspout, including:

- Roofs with wooden shingles
- Rubber or rubber membrane roofs
- Composite (tar and gravel) roofs
- Wooden gutters or downspouts
- Flat roofs
- ETC cable cannot be used on slate, stone, metal and ceramic roofs.  
These types of roofs require special installation or the use of a self-regulating cable. If you are not clear of the material used for your roof, gutters and downspouts, call a professional roofing contractor.

## ELECTRICAL REQUIREMENTS

Ask your local licensed electrician if you are not certain on how to install this heating cable. The installation has to meet all applicable electrical codes.

# ELECTRICAL REQUIREMENTS (continued)

This cable must be plugged into a 120 volt A/C outdoor receptacle that:

- Is grounded. This cable is equipped with a three-prong plug that has a grounding prong to reduce the risk of fire and electric shock. The plug must be plugged into an outlet that is properly installed and grounded in accordance with all local electrical codes. Do not modify the plug.
- Is ground-fault protected. A ground-fault protected outlet reduces the risk of fire or electric shock by stopping the electrical current when the GFCI senses that the current is wrong in the cable.  
If you are not sure if your receptacle has ground-fault protection, ask your local electrical licensed electrician.
- The cable is plugged in a circuit that has enough current (amp). Do not use this cable on a circuit whose circuit breaker or fuse is rated at more than 20 amps. Limiting the circuit to a maximum of 20 amps will reduce the risk of fire and electric shock if the cable becomes damaged. While a 20 amp circuit is the maximum allowed, you also need to check that the circuit can supply enough current without being overloaded. Overloading a circuit can lead to a tripped breaker or a blown fuse. To avoid overloading the circuit, do not use more than 80% of the circuit's rated capacity See Table 1 below for the current needed for your cable length. If you do not have a circuit with an appropriate rating, contact a licensed electrician.

**Table 1 Required Amps Based on Product Model**

Catalog Number	Required Amps
ETC120-5W-030-WY	1.3
ETC120-5W-060-WY	2.5
ETC120-5W-080-WY	3.3
ETC120-5W-100-WY	4.2

- On/off switch with an indicator light. The indicator light should be wired to light up when the cable is energized. Turning on the cable in warm weather can cause it to overheat and may increase the risk of fire or electric shock.
- Is protected from the weather. The connection between the plug and receptacle must be protected from rain, snow or other elements. You may use either:
  1. a receptacle in a location that is protected from the elements.
  2. a receptacle that has a weatherproof enclosure, similar to that shown below.
- Is within 6 ft. of the cable starting point on the roof. The cold lead of the cable is 6 ft., and the rest of the cable is heating cable. The outlet should be within 6 ft. of the start point of the heating portion of the cable on the roof (only). It is recommended that you do not use an extension cord with this cable.

Figure 1B. In-use outlet cover

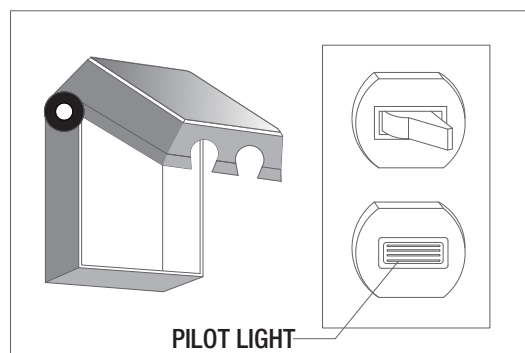


Figure 1A. On/Off switch with indicator light

# MATERIALS NEEDED FOR INSTALLATION

## A. ETC KIT MATERIALS

This Kit contains: Cable  
Cable spacers  
Shingle clips

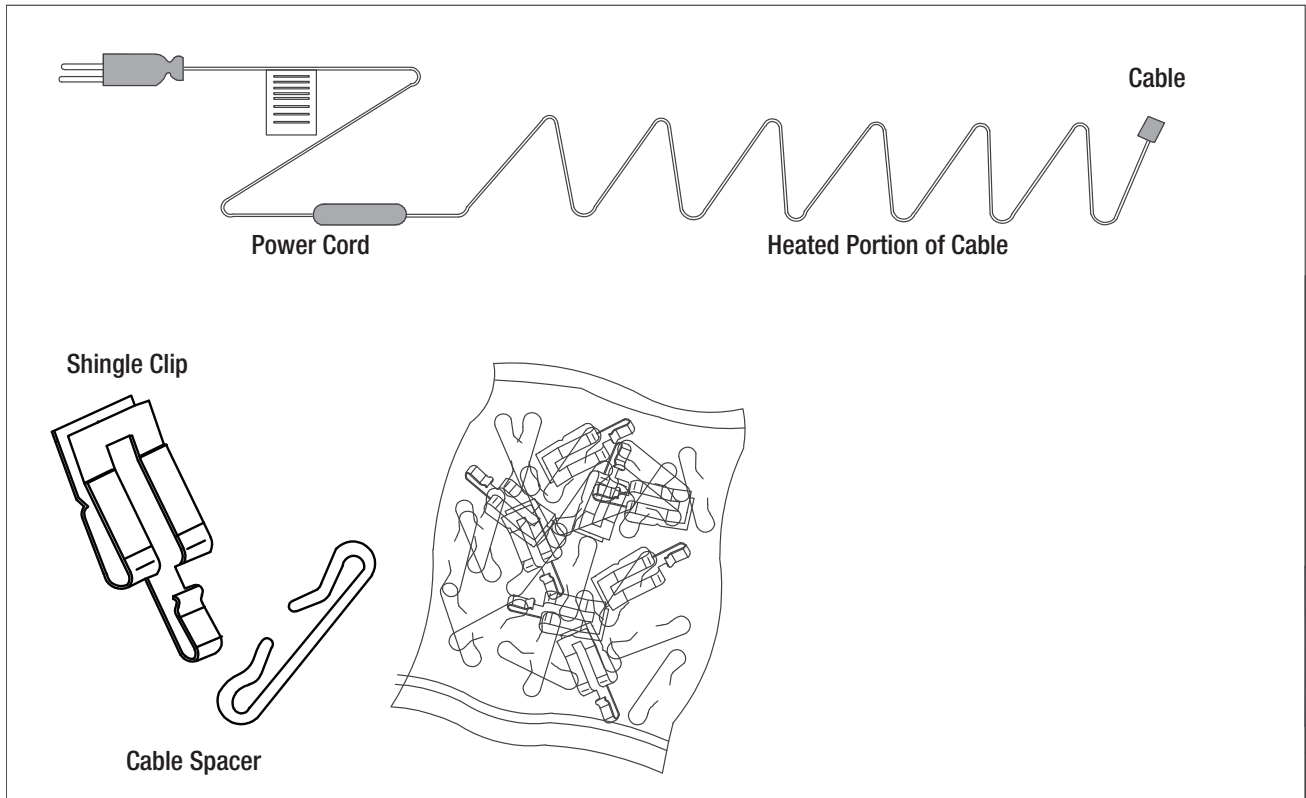


Figure 2. ETC Kit Materials  
If any component of this kit is missing or damaged, contact Customer Service.

## B. Additional Tools and Materials Required

You will also need:  
Tape Measure, to measure lengths of roof edge, overhang, etc.  
Putty Knife, to pry up shingles  
Marking Chalk, to mark cable pattern on shingles  
Weighted String to measure cable needed in downspouts and to pull the cable through downspouts  
Filing tool, to remove sharp edges along gutters and downspouts. Ladders if necessary

# INSTALLING THE CABLE



**WARNING:** Failure to follow these instructions to install, handle, and arrange the heating cable may result in ice dam formation which can lead to serious injury or death from electric shock or fire.

## A. PLANNING YOUR CABLE INSTALLATION

Before laying out and attaching the cable to your roof, it is important to plan how the cable will be fixed.

To prevent ice dams, the cable pattern must leave a clean channel so that the meltwater flows from “warm areas” of the roof through the “cold areas” down into the downspouts and to the ground. A “warm area” is where snow and ice does not freeze because of heat loss through inadequate roof venting and/or insufficient ceiling insulation. “Cold areas” are where ice typically accumulates, such as above overhangs and in gutters.



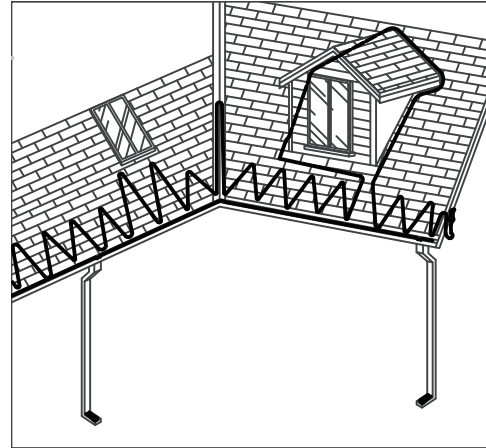
**WARNING:** Cable overheating; Do not allow any part of a cable to pass through the inside of any area of a building, including an attic. Do not install the cable in a downspout that has a section that passes through a building. Do not install cable where it might be warmed by sources of heat, such as an exhaust vent or chimney. Keep the cable at least 12 in. from these sources of heat.

### WHERE TO START:

The cable starting point must be away from any passing person. For more information on selecting a location for an electrical outlet, see Electrical Requirements on pages 4-5. If an electrical outlet exists in an appropriate location, then that is your starting point. If not, select an appropriate starting point and have an electrical outlet installed with a GFCI. (See Electrical Requirements on pages 4-5)

### Planning the layout or pattern on the roof.

Different ways for fixing the cable on the roof are provided on the following pages. Always install cable in valleys that are a part of any problem area on your roof.



□ Figure 3. Installation techniques along roofline and in gutters/downspouts

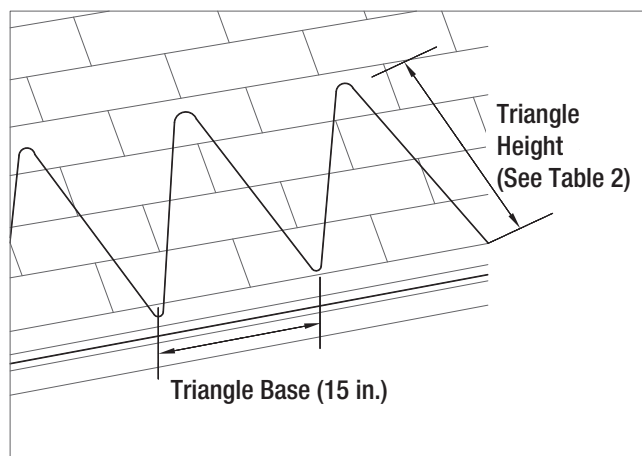
Mark the cable pattern with chalk and then arrange the cable. A Drawing before arrangement will be helpful

### Pattern for the roofline:

Cable is installed in a triangular pattern (see Figure 4). The cable must extend above the overhang into the warm section of the roof. To determine the height of the triangles, measure the depth of the overhang. The triangle heights are measured by the number of shingle rows from the roof edge (based on the standard 5-1/2 in. shingles). Using Table 2, determine the height of each triangle. Using this method, the triangles will extend at least one shingle row (5-1/2 in.) into the warm roof area.

The base of each triangle is most of the time 15 in. wide. If you have nonstandard shingles contact Customer Service for assistance.

# INSTALLING THE CABLE (continued)

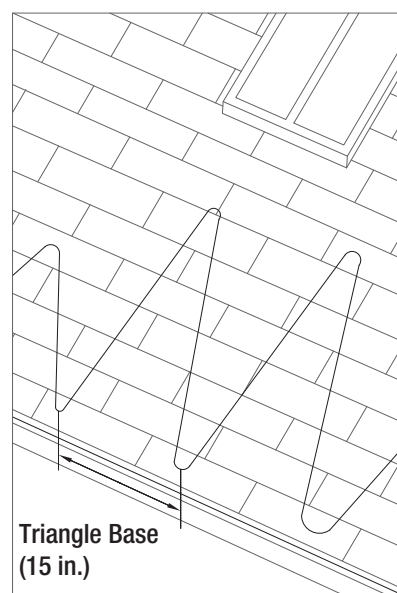


□ Figure 4. Triangle pattern along roofline

### Pattern for skylights:

Skylight areas are also installed with the “triangle pattern”. The triangle height must extend to one shingle row 5-1/2 in. below the skylight. The triangle base is maintained at 15 in. (See Figure 5).

Triangle heights must not exceed 20 ft. The clips provided with the kit are not designed to attach triangles this large. For problem areas that are more than 20 ft. from the roof edge, commercial grade deicing cable should be installed by a professional installer.



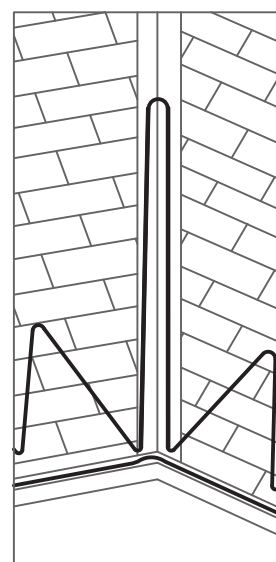
□ Figure 5. Triangle pattern near skylight

### Pattern for valleys:

If a valley exists in a problem area of your roof, you must route cable up and back down the valley a minimum of 3 ft., as shown in Figure 6. Extend the cable higher if the warm area of your roof is higher.

□ Table 2 Triangle Heights for Overhangs

Overhang (in.)	Triangle Height (Shingle Rows)
12 or less	3
12-18	4
18-24	5
24-30	6
30-36	7
36-42	8
42-48	9
48-54	10
54-60	11
60-66	12
66-72	13



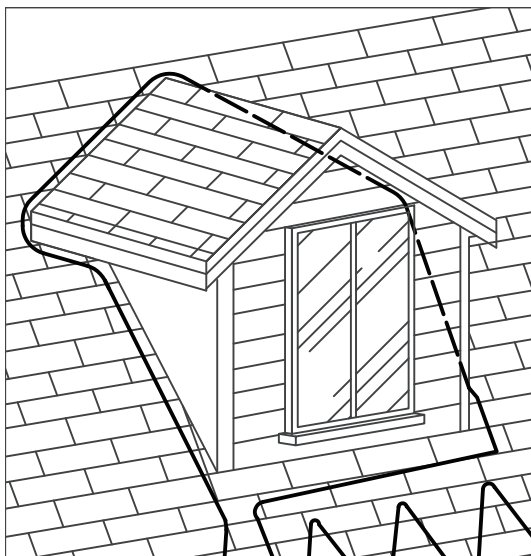
□ Figure 6. Cable pattern in a valley

### Pattern for dormers:

The cable should be arranged up and around the dormer as shown in Figure 7.



## INSTALLING THE CABLE (continued)



□ Figure 7. Cable pattern around a dormer

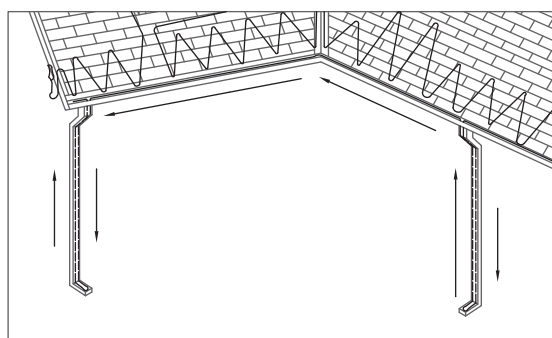
### Installation techniques for other special roof areas:

Always keep the triangle base at 15 in. The triangle height can extend at least one shingle row (5-1/2 in.) into the warm roof section.

Triangle height must not exceed 20 ft. The clips provided with the kit are not designed to attach triangles this large. For problem areas that are more than 20 ft. from the roof edge, commercial grade self-regulating deicing cable should be installed by a professional installer.

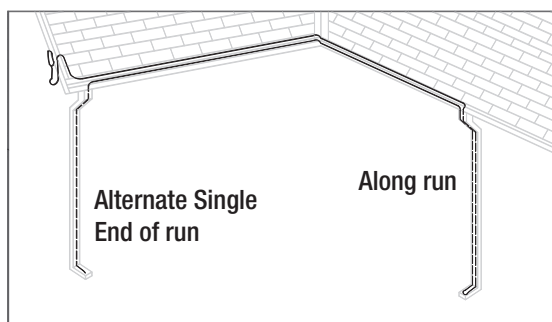
### Installation technique in the gutters and downspouts:

For each roof area that a heating cable has been installed, the corresponding gutter must also have heating cable. After fixing the cable along the roofline, the cable will need to be installed back along the treated roofline through the gutter. Plan to install the cable down into and back up the inside of any downspouts along the way. If there is a downspout at the end of the roofline, you need only route the cable down the inside of the downspout and back up. However, if the cable is too short, only route the cable down the inside of the downspout and not back up. The cable must terminate at the end of the downspout.



□ Figure 8. Cable installed back along the roofline in the gutter and Downspouts

If the icing problems are only in the gutter, install the cable only in the gutter and downspouts using the double run technique shown in Figure 9. This figure shows single run technique.



□ Figure 9. "Double cable run" in gutter and downspouts

### About the number of the cables.

If separate areas are being treated, it may be more practical to use separate cables. When planning your cable installation, consider where each cable will be installed depending on its length.

It is also possible to use the same cable for both areas; the cable can be installed from one area to the next either in the gutter or horizontally attached to the shingles. Do not install the cable over the roof.

### The cable shortage or excess.

For light shortages, triangles can be made smaller in areas less sensitive to ice dams. If a downspout is present at the end of the roofline, the cable may be routed in a single run down, or as recommended run down and back up. The cable must terminate at the end of the downspout. See figure 22.

# INSTALLING THE CABLE (continued)

## B. PROPER HANDLING & CARE OF THE CABLE

- Do not step on the cable.
- Do not bend cable more sharply than required for use with the clips included with the kit and according to the installation instructions. Sharp bends can damage the heating element.
- Do not allow the heated portion of an operating cable to touch, cross over or overlap itself or to touch another deicing cable.
- Do not cut, splice or alter the de-icing cable in anyway.
- Do not cover or insulate any part of the cable.
- Do not paint or expose the cable to chemicals such as glue, caulk or adhesive.

## C. TESTING THE CABLE

You may want to test the cable before installation. To do the test, uncoil the heat cable completely so it does not touch, cross over or overlap on itself. Do not plug in the cable until it has been completely uncoiled.

Plug cable in, and in approximately 5 minutes, it should feel slightly warm to the touch. Then unplug the cable.

## D. PREPARE YOUR ROOF, GUTTERS & DOWNSPOUTS

BEFORE installing the deicing cable, follow the below steps:

- Remove any existing de-icing cables, or heating cables, clips and cable spacers in the area where the new cable will be installed. (See Removing the Cable on page 12-13.)
- Remove any combustible debris from the roof, gutters and down spouts, such as leaves, pine needles, seeds or windblown trash.
- Look and feel for sharp or jagged edges along gutters and downspouts that could damage the cable. Sharp or jagged edges could include gutter edges, downspout fittings or screws. Remove sharp or jagged edges by either filing or bending them down.

## E. ATTACHING THE CABLE

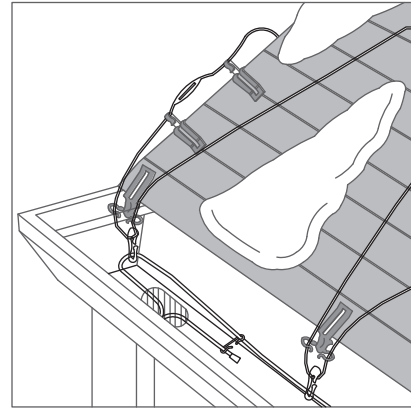
Use only the clips and spacers provided to attach the cable. Do not attempt to staple or nail the cable or attach the cable with materials such as glue, caulk or adhesive.

While the cable is being laid-out on the roof, loose attachment of the clips and spacers is recommended in case adjustments must be made.

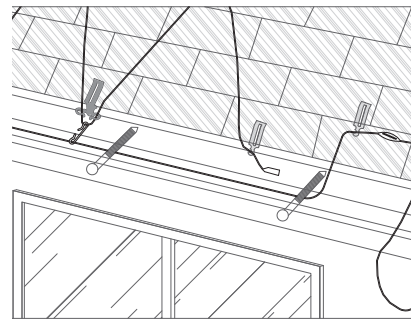
### Attaching the cable at the starting point.

Near the outlet, first, attach the cable to the edge of the roof near the outlet using the clips as shown in Figure 10 or 11. Do not plug in the cable at this time.

Then, install your cable as planned on your roof or in your gutter and downspouts. Details on clip and spacer attachment are provided in the following sections.



□ Figure 10. Starting point near roof edge



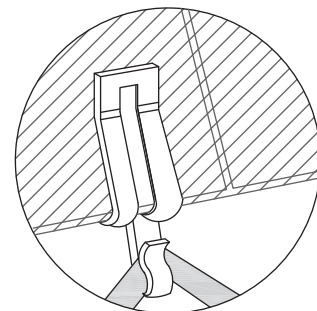
□ Figure 11. Starting point along gutter edge

### Attaching the cable with clips and cable spacers.

Without breaking shingle, lift it gently and evenly using a putty knife. Lift the shingle just enough to insert clip. Press shingle back down firmly.



Note: Shingles will reseal in hot weather.

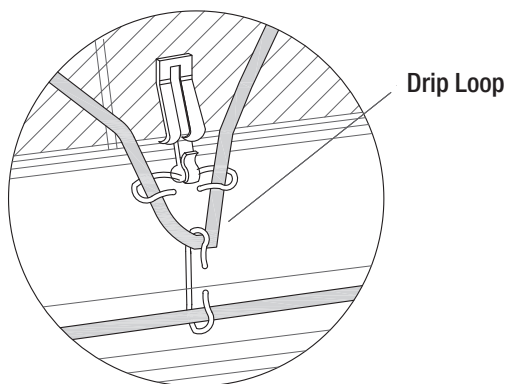


□ Figure 12. Attaching clips to shingles at top of triangles

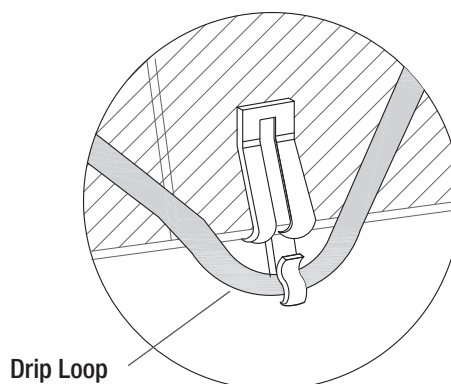
### At bottoms of triangles along edge of roof

Make a loop over roof edge to direct melt water into the gutter or to the ground. There should be a minimum of 2 in. between the bottom of the drip loop and the bottom of the gutter.

## INSTALLING THE CABLE (continued)



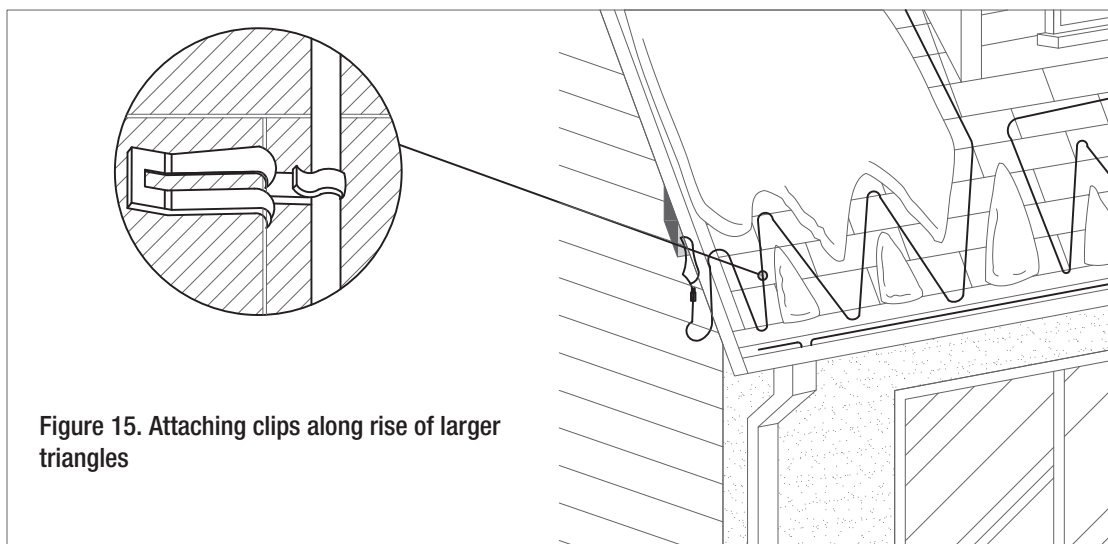
□ Figure 13. Attaching Clips to shingles at edge of roof with gutters



□ Figure 14. Attaching clips to shingles at edge of roof with gutters

### Along the rise of large triangles

For triangles that are larger than 3 ft. in height, also attach clips every 3 ft. up the height of the roof.

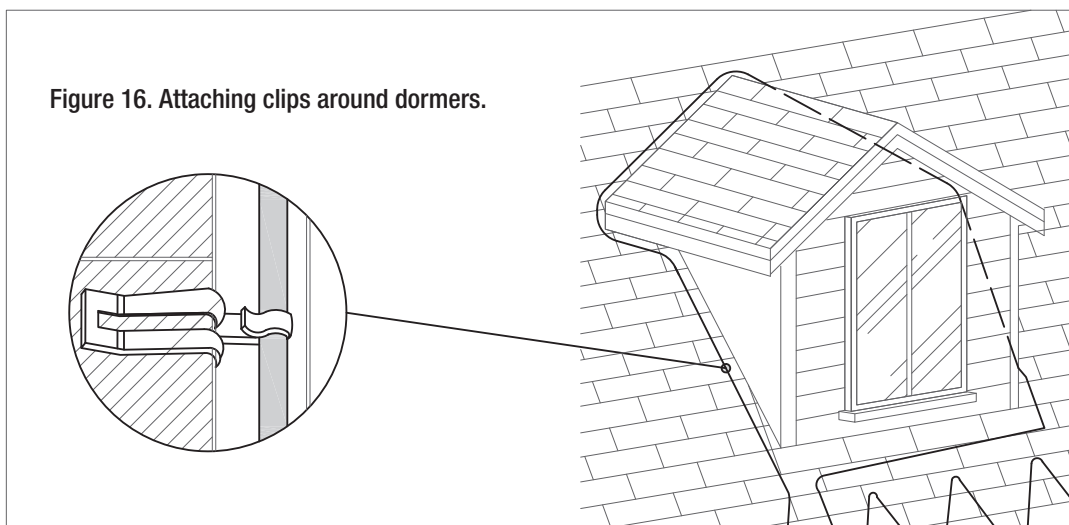


### Around dormers

Figure 16 shows how to use a clip to attach the cable when the cable is running vertically around a dormer. Lift the side edge of the shingle to gently insert the clip sideways.

## INSTALLING THE CABLE (continued)

Figure 16. Attaching clips around dormers.



### Near skylights

Triangles of cable are attached near skylights the same way as shown in Figures 12, 13 and 14. If the skylight is high up the roof (making the triangles larger than 3 ft. in height), clips must also be attached every 3 ft. up to hold the cable, as shown in Figure 15.

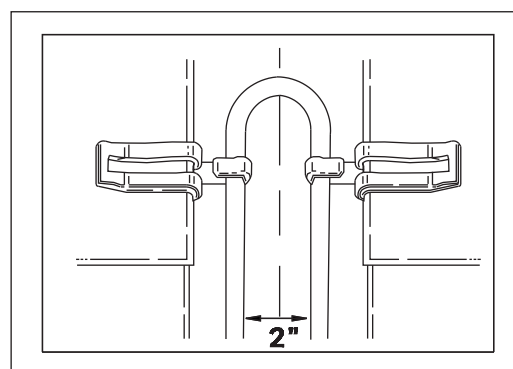
### Up and down valleys

Figure 17 shows how to use a clip to attach the cable up and down the valley. Lift the edge of the shingle to insert the clip sideways.

□ Figure 17. Attaching clips in valleys

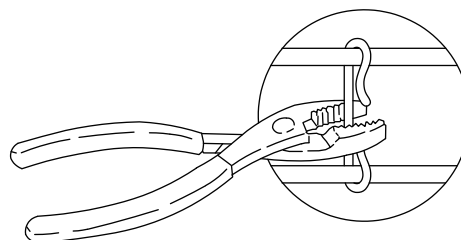
### Installing the cable in the gutter using cable spacers.

When installing the cable in the gutter, the spacers can be tightened with fingers or pliers. If you use pliers, squeeze gently and use care to avoid pinching, crimping, cutting into the cable. This will damage the cable (see Figure 18).

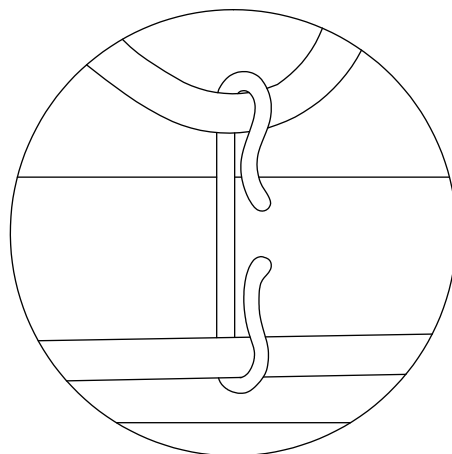
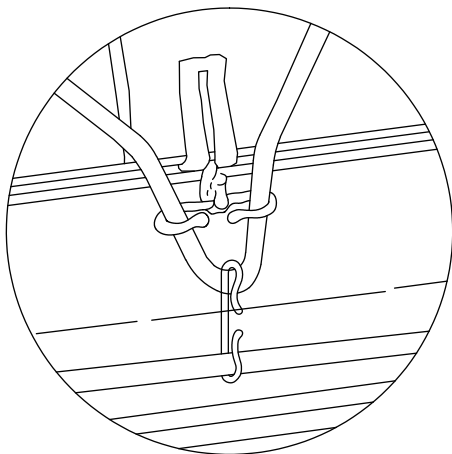


□ Figure 18. Squeezing spacers with pliers

Install the gutter cable to the bottom of each drip loop you have formed. See Figure 19. Keep the cable in the gutter tight and off the bottom of the gutter to prevent heat loss.



## INSTALLING THE CABLE (continued)

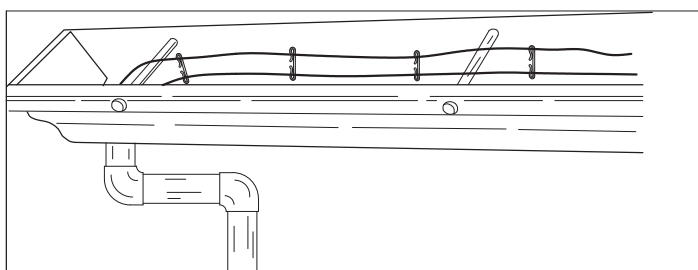


□ Figure 19. Attaching clips in gutters

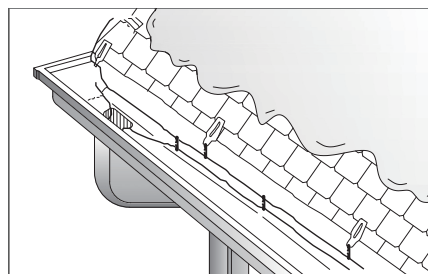
If only the gutters need deicing, use a “double-run” of cable in the gutters and downspouts.

Figure 20a shows a gutter installed with gutter nails. Install the cable under and over the gutter nail to keep the cable suspended off of the bottom of the gutter. Spacers should be attached every 12 in..

Figure 20b shows a gutter with external gutter clips. Use the clips and spacers to keep the cable suspended off the bottom of the gutter. Clips should be attached every 3 ft. along the roof.



□ Figure 20a. Double run of cable in gutter-only applications (gutters with gutter spikes)



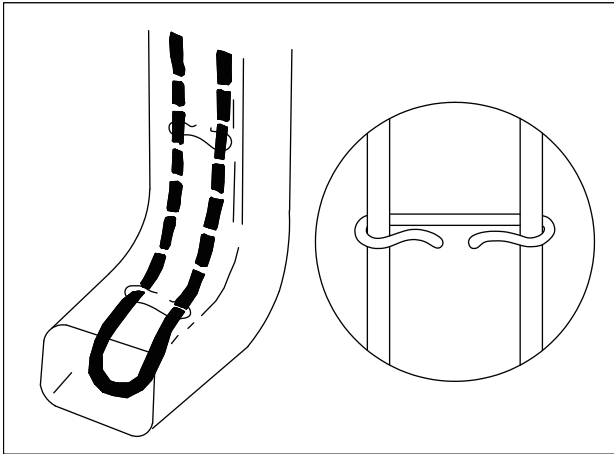
□ Figure 20b. Double run of cable in gutter-only applications (gutters without gutter spikes)

### Installing the cable in downspouts using cable spacers

For downspouts that are along the run of the roofline, the cable must be installed down and back up the inside of the downspout. Do not wrap the cable around the downspout or otherwise attempt to attach it to the outside.

The cable must be flush with the end of the downspout. No cable may be extended out of the downspout.

## INSTALLING THE CABLE (continued)



□ Figure 21. Double cable run in downspouts “along run”

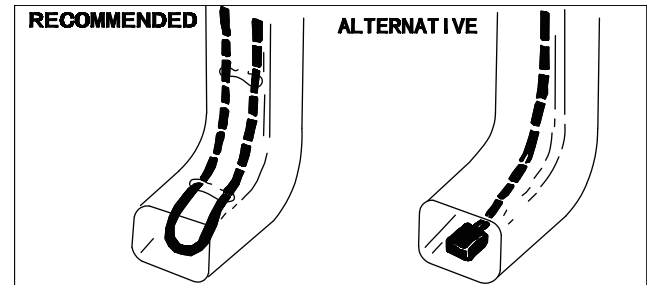
Once you know the length of cable needed, the next step is to install spacers and lower the cable into the downspout. Spacers must be attached to the cable every 6 in. to prevent the cable from touching each other in the downspout. You must tighten the spacers before the cable is lowered in the downspout. (see Figure 18). Pull the cable into the downspout using a weighted string.

“End of run” downspouts. If a downspout exists at the end of the run of the roofline, it is recommended that the cable should be installed down the inside of the downspout and back up. (see Figure 22). If at this point you find that you have excess cables, triangles on the roof can be made larger (up to 20 ft. in height) or cable loops in valleys can be extended.

If you have a shortage of cable (the end of the cable does not reach to the bottom of the downspout), you may reduce the height of the triangles on areas of the roof that are less susceptible to ice dams. It is possible in this scenario to only have a single run of cable in the end downspout, termination at the end as shown in Figure 22.



**WARNING:** Please create a border around this Warning.



□ Figure 22. Cable in “end of run” downspouts

### F. FINAL INSTALLATION STEPS

Check to be sure the cable has not been moved from its intended position. The heated portion of the cable must be positioned entirely on the roof and must not touch, cross over or overlap itself.

# MAINTENANCE AND OPERATION OF THE CABLE

## A. PRE-SEASON VERIFICATION

At the beginning of the winter season you should:

Check and remove all combustible debris from roofs, gutters and downspouts, such as leaves, pine needles, seeds and windblown trash.

Check to be sure the cable has not been moved from its intended position. The heated portion of the cable must be positioned entirely on the roof and must not touch, cross over, or overlap itself.

Without removing it from the roof, visually inspect the entire cable, including the plug. Discontinue to use and remove the cable if it shows any evidence of damage or deterioration, including cuts, brittleness, charring, cracking, discolored surfaces, or barewires. If there appears to be a problem inside a downspout, remove the cable to inspect it.

If no damage is presented, plug the power cord into the receptacle. Arrange the cord to form a drip loop using a spacer (see Figure 24). The purpose of the drip loop is to prevent melt water from tracking along the cord and into the receptacle.

Test all ground-fault protection devices (see the instructions provided with the device).

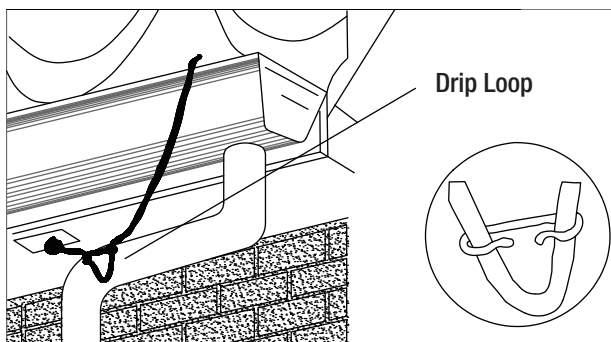


Figure 24. Forming a drip loop near the starting point.

## B. TURNING THE CABLE ON AND OFF

During the winter season, turn on the cable only when conditions are favorable for ice dams to form. The cable should only be operated when:

Snow or ice on the roof is melting, and

The outside temperature is between 15°F and 35°F (-9°C and 2°C). Below 15°F (-9°C), very little melting will normally occur, and in very cold conditions, the cable may not generate enough heat in some roof sections to prevent melt water from refreezing. This may result in ice dam formation which may cause water to backup under your shingles.

Once turned on, the cable should be shut off when the melt/freeze condition stops, usually above temperatures of 35°F (2°C). The cable should be kept off until the melt/freeze conditions return. The cable can be operated using an on/off switch (with an indicator light).

## C. CHECKING OPERATION AND CONDITION OF CABLE

During the winter season and when snow or ice on the roof is melting, check to ensure a complete path is available for melt water on the roof to get to the ground. If icing problems persist, the cable pattern may need to be modified.

To adjust your cable pattern, first unplug the cable. Remove the cable by opening the clips and spacers with pliers, as needed, to rearrange and supply more cable to the needed areas.

During operation, the ground fault protection device may trip if the cable is damaged. One way in which nuisance tripping can occur is if parts of the electrical circuit become wet. This can happen if driving rain or blowing snow enters the electrical receptacle. Use of a weatherproof in-use receptacle may help eliminate this (see page 7).

Before resetting the ground fault protection device, unplug and inspect the entire cable for damage. Dispose of the cable if it shows any evidence of damage or deterioration. If you cannot see damage on the cable, reset the ground fault protection device. If the device trips again and there is no other explanation for it, call a licensed electrician to check the cable and the circuit. A licensed electrician can determine if the cable is damaged or if there is some other problem with your electrical system.

As needed during winter season, unplug the cable and check for and remove all combustible debris from roof, gutters and downspouts.

About once a month during winter season, unplug the cable and perform the same checks as outlined in the Pre-Season Check section on page 9. Do these checks when weather and roof ice conditions allow.

## D. RESETTING CIRCUIT BREAKER/REPLACING BLOWN FUSE

At any time during operation, if the circuit breaker trips, stop using the cable. Unplug and inspect the entire cable for damage. Dispose of the cable if it shows any evidence of damage or deterioration. Even if you cannot see damage on the cable, call an electrical contractor.

# MAINTENANCE AND OPERATION OF THE CABLE (continued)

## E. OFF-SEASON USE

The cable may remain on the roof year-round. However, do not operate the cable when outdoor temperatures begin to remain above 50°F (10°C). Unplug the cable.

## REMOVING THE CABLE FOR ROOF REPAIR

The cable must be removed prior to replacing roof shingles, starting roof repair, modifications, additions of antennas or any other items. To remove cable, wait for weather conditions to allow. Then, unplug the cable. Open the clips with pliers and remove the cable. Inspect the entire cable before replacing it on the roof. If cable is in good condition, it may be replaced on the roof, according to the instructions. If a replacement deicing kit is purchased, use only the new clips provided with it.

## APPENDIX A: ESTIMATING THE CABLE LENGTH YOU NEED

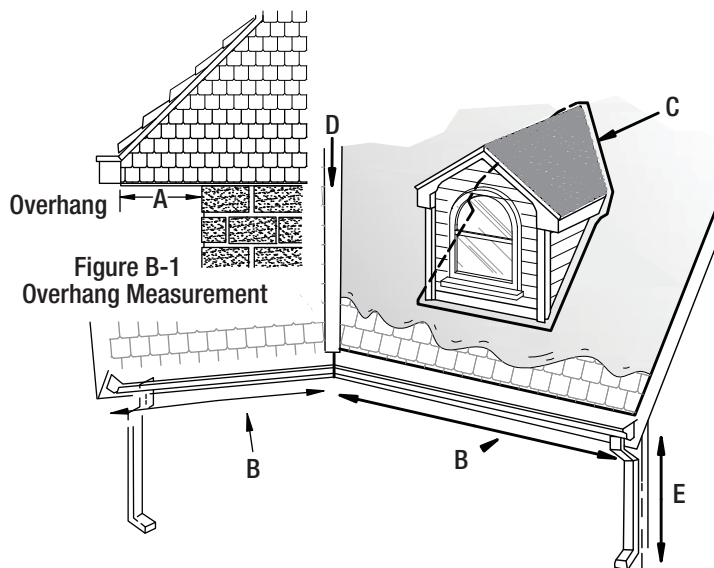
If you need to apply the cable on a roof with gutters, downspouts, valleys, and/or dormers, follow “A. For Typical Roof Applications” below.

If you only need to install the cable in the gutters only, follow “B. For Problems in the Gutter Only” on page 15.

If you need to install the cable on a roof with special roof areas such as a roof with skylights, follow “C. For Roofs with Special Roof Area Applications” on page 15.

### A. FOR TYPICAL ROOF APPLICATIONS

Step 1. For each area listed in Table B-1, measure the required dimensions (see Figures B-1 and B-2) and calculate the length of cable needed. Add each “area” calculation to determine the total cable length needed.





# APPENDIX A: ESTIMATING THE CABLE LENGTH YOU NEED (continued)

**Table B-1 Cable Length Estimation Formula for Typical Roof Applications**

Area	What to measure	How to calculate
Along Roof	Overhang (A) Length along roof (B)	Length of roof (B) X Overhang Multiplier (see Table B-2)
Dormer	Distance around dormer (C)	Number of dormers X Distance around dormer(s) (C)
Valley	Number of valleys (D)	Number of valleys (D) X 6 ft. or 1.8M
Downspouts	Number of downspouts Length of downspouts (E)	Number of downspout (E) X 2

**Table B-2 Overhang Multiplier**

ROOF Less than 12 in.	OVERHANG Less than 30 cm	Multiplier For roof with gutter 4.0	Multiplier For roof without gutter 3.0
12	30	4.0	3.0
24	60	5.3	4.3
36	90	6.8	5.8
48	120	8.1	7.1
60	150	9.6	8.6
72	180	11.2	10.2



Note: For overhangs not listed, estimate multiplier. For example, for an 18° over-hang with a gutter, multiplier will be about 4.7.

STEP 2. Use the estimated cable length to choose the right deicing cable from Table B-3. Normally, choose the longer cable if the length you need is between two cable sizes. If the difference is smaller than 5 ft. use the shorter cable.

If ice dams are problematic in different roof areas that are far apart, it is recommended to use a separate cable for each location. Also, if the roof areas are important, use separate cables for the roof area and the gutter area.

**Table B-3 Deicing Kits**

Catalog Number	Length	
	Ft.	M
ETC120-5W-030-WY	30	9
ETC120-5W-060-WY	60	18
ETC120-5W-080-WY	80	24
ETC120-5W-100-WY	100	31

## B. FOR ICING SITUATION IN THE GUTTER ONLY

If ice is building up in gutters only, (see Figure B-2) calculate the length of cable needed for each area listed in Table B-4. Add each "area" calculation to determine the total cable length needed.

# APPENDIX A: ESTIMATING THE CABLE LENGTH YOU NEED (continued)

**Table B-4 Cable Needed for Gutter Only Ice Situations**

Area	How to Calculate
Gutter	Length of gutter (B) X2
Downspouts	Number of downspouts X Length of downspout (E) X2

## C. FOR ROOFS WITH SPECIAL ROOF AREA APPLICATIONS

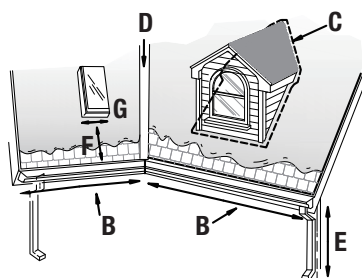
STEP 1. For each area listed in Table B-5, measure the required dimensions (see Figure B-1 on page 17 and Figure B-3) and calculate the length of cable needed. Add each "area" calculation to determine the total cable length needed.

**Table B-5 Cable Length Estimation Formula for a Roof with Special Roof Areas**

Area	What to measure	How to calculate
Along Roof	Overhang (A) Along roof (B)	Length of roof (B) X Overhang Multiplier (see Table B-2)
Dormer	Distance around dormer (C)	Number of dormers X Distance around dormer(s) (C)
Valley	Number of valleys (D)	Number of valleys (D) X 6 ft. or 1.8 m
Downspouts	Number of downspouts  Length of downspouts from roof to ground (E)	Number of downspouts X Length of downspout (E) X 2
Special roof areas (such as skylights)	Distance from roof edge to bottom of special roof area (F) Width of ice dams that form along special roof area (G)	Distance from roof edge to bottom of special roof area (F) X Width of ice dams that form along special roof area (G) X Special Roof Area Multiplier (see Table B-6)



Note: Do not include the width of special areas (G) in this measurement.



**Figure B-3. Roof Measurements**

STEP 2. Use the estimated cable length calculated above to select the proper deicing cable from Table B-3 on page 17. In general, choose the longer cable if the length you need is between the sizes offered. If the difference is small (less than 5 ft. or so), the shorter cable can be used. You cannot change the cable length by cutting, splicing or altering it in any way. If ice dams are occurring on roof areas that are a significant distance apart, you may want to use a separate cable for each location, rather than choosing one large cable. Also, if roof areas are large, separate cables for the roof area and gutter should be used.

## APPENDIX A: ESTIMATING THE CABLE LENGTH YOU NEED (continued)

**Table B-6 Special Roof Area Multiplier**

<b>Multiplier</b>	<b>Multiplier</b>
for roof with gutter	for roof without gutter
2.6	1.6



# WarmlyYours

Radiant Heating

Questions, problems, missing parts?  
Call the WarmlyYours 24/7 Technical Support Team

**1-800-875-5285**

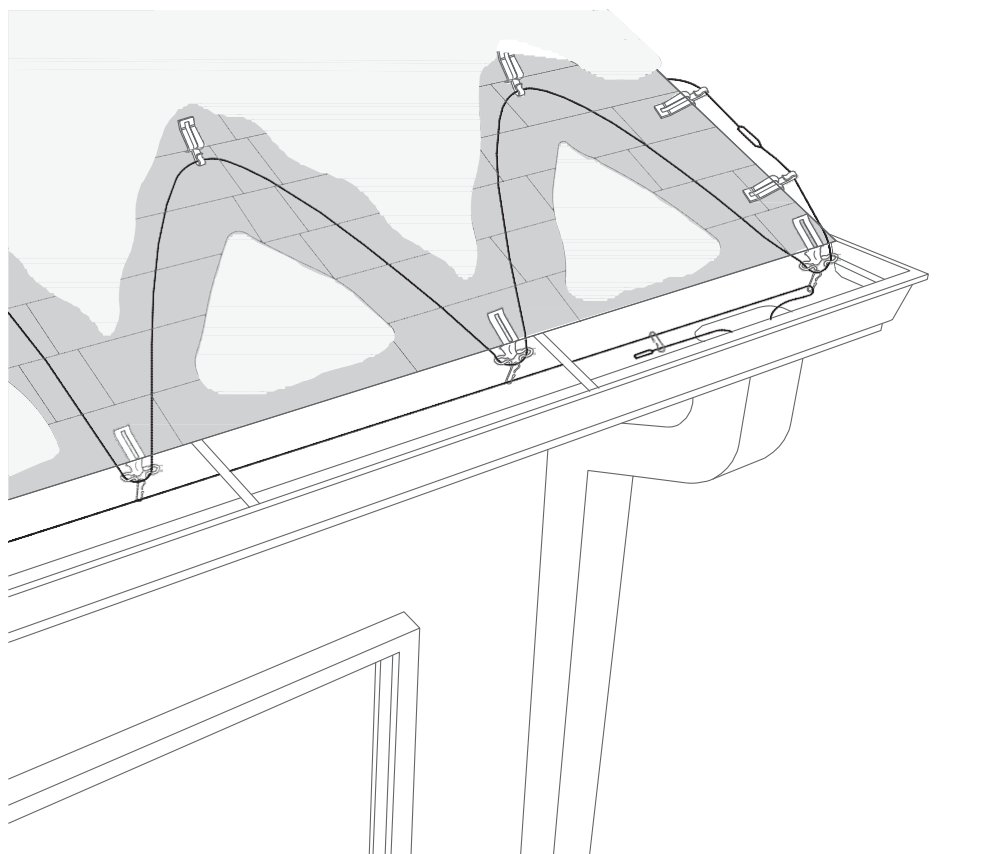


**WarmlyYours**  
Radiant Heating

# GUIDE D'UTILISATION ET D'ENTRETIEN

---

Kit de dégivrage pour les toits et gouttières  
Guide d'installation de ETC



Questions, problèmes ou pièces manquantes?  
Appelez l'équipe de support technique de WarmlyYours à tout moment

**1 800 875-5285**

**WARMLYYOURS**

---

**MERCI**

*Nous vous remercions d'avoir fait confiance à WarmlyYours en achetant ce [kit de dégivrage.]. Nous nous efforçons en permanence de créer des produits de qualité conçus pour perfectionner votre maison. Vous pouvez visiter notre site Web pour consulter l'ensemble de notre gamme de produits et trouver des solutions à vos besoins de rénovation résidentielle. Merci d'avoir choisi WarmlyYours!*

## Table des matières

Table des matières.....	2
Consignes de sécurité.....	2
Garantie limitée et responsabilité.....	3
Pré-installation : Planification et renseignements .	3
Exigences relatives aux matériaux du toit, des gouttières et des descentes pluviales.....	4
Exigences en matière d'électricité.....	4

Matériel nécessaire à l'installation.....	6
Installation du câble.....	7
Entretien et utilisation du câble.....	15
Retrait du câble pour la réparation du toit.....	16
Annexe A : Estimer la longueur de câble nécessaire	16

## Consignes de sécurité



**AVERTISSEMENT** : Une installation, une utilisation ou un entretien incorrect(e) de ce câble de chauffage peuvent causer des blessures corporelles ou la mort suite à une électrocution ou un incendie. Ils peuvent également causer des dommages matériels. Lisez et suivez toutes les instructions énoncées dans ce guide. Si vous avez encore des questions après avoir lu ce guide d'instructions avec attention, veuillez contacter WarmlyYours pour une assistance. Conservez ce guide à titre de référence ultérieure.

**NE JAMAIS** : Utiliser une rallonge ou un câble endommagé. Si vous ne comprenez pas les exigences en matière d'électricité requises par la fiche de la prise de courant, veuillez contacter votre inspecteur en électricité local ou un électricien accrédité.

Permettre une surchauffe du câble :  
Ne laissez pas la portion chauffée d'un câble de chauffage en cours de fonctionnement se toucher ou se chevaucher ou toucher un autre câble de chauffage et/ou de dégivrage.  
N'utilisez pas le câble par temps chaud (au-dessus de 10 °C ou 50 °F).  
N'installez pas le câble de chauffage dans des emplacements où il pourrait être chauffé par une source de chaleur, telle qu'une bouche d'évacuation ou une cheminée.



Ne coupez ou ne modifiez le câble d'aucune manière.  
Ne coupez ou n'épissez pas le câble.  
Ne le peignez ou ne l'exposez pas aux produits chimiques tels que la colle, le mastic ou les adhésifs.  
N'installez pas ce produit pour retirer les digues de glace qui sont déjà formées ou pour éliminer la glace et la neige du toit.  
N'utilisez pas ce câble de dégivrage à toute fin autre que celle énoncée dans ce guide.  
N'utilisez pas ce câble de chauffage pour faire fondre la neige des trottoirs ou pour protéger les conduites contre le gel.

**VEUILLEZ TOUJOURS** : Utiliser une prise de courant d'extérieur de 120 volts c.a.

Mettre le système de câble de chauffage à la terre.

Protéger le câble de chauffage contre les défauts de terre.

Brancher le câble de chauffage sur un circuit dont le courant nominal (ampères) est approprié.



Munir le câble de chauffage d'un interrupteur marche/arrêt avec témoin lumineux (voyant).

Protéger le câble de chauffage contre l'eau et/ou les intempéries.

La prise électrique doit se trouver à 1,83 m (6 pi) au plus du point de départ du câble de chauffage. Le point de départ du câble doit être situé sur le toit.

Consultez la section Exigences en matière d'électricité aux pages 4 et 5 pour les détails.

**AVIS** : Gardez toutes les matières combustibles éloignées du câble : (feuilles, aiguilles de pin, graines ou débris transportés par le vent).

N'attachez pas le câble à des matières combustibles (comportant tout élément en bois de la feuille).

Si vous installez des protège-gouttières, laissez un dégagement d'au moins 1,27 cm (1/2 po) entre le protège-gouttière et les câbles de chauffage.



N'utilisez ou n'installez pas un câble endommagé. Les signes de dommage comprennent les coupures, les fissures, la décoloration et des fils nus.

N'utilisez ce produit qu'aux fins prévues et comme décrit dans ce guide.

Afin d'éviter les plis, il faut s'assurer que le rayon de courbure est d'au moins 2,54 cm (1 po).

# GARANTIE LIMITÉE ET RESPONSABILITÉ

Le fabricant garantit que, si ce produit présente un défaut de matériau ou de fabrication dans les premiers vingt-quatre (24) mois suivant sa date d'achat, nous le remplacerons par un modèle équivalent, à l'exclusion des frais de main d'œuvre ou autres frais d'installation.

Notre obligation de remplacer le produit telle qu'énoncée ci-dessus est assujettie à (a) l'installation du produit conformément aux spécifications énoncées dans nos instructions d'installation et (b) l'absence d'endommagement du produit par des activités mécaniques ou électriques non liées.

Le remplacement du produit, tel qu'énoncé ci-dessus, sera votre recours unique et exclusif en cas de rupture de cette garantie. Cette garantie limitée ne couvre aucuns frais de service liés à la réparation ou au remplacement.

Nous ne serons pas tenus responsables de tout dommage indirect, particulier ou consécutif résultant de toute rupture de cette garantie ou autre, qu'il soit ou non le résultat d'une négligence. Certains États ou provinces ne permettent pas l'exclusion ou la restriction des dommages indirects ou consécutifs; les restrictions et exclusions citées ci-dessus peuvent donc ne pas s'appliquer à votre cas.

La garantie ci-dessus est exclusive et n'offre aucune autre garantie concernant la description ou qualité du produit. Aucune affirmation de fait ou promesse, que nous avons faite verbalement ou par nos actions, ne constituera une garantie. Si un modèle ou un échantillon quelconque vous est présenté, le modèle ou l'échantillon a été utilisé uniquement pour illustrer le type et la qualité généraux des marchandises et n'indique pas que les marchandises seraient nécessairement de ce type ou de cette nature. Aucun agent, employé ou représentant de notre société n'a l'autorité de nous lier à toute affirmation, représentation ou garantie concernant les marchandises vendues à moins que telle affirmation, représentation ou garantie soit spécifiquement incorporée par accord écrit.

TOUTE GARANTIE IMPLICITE DE QUALITÉ MARCHANDE OU D'ADAPTATION À UN USAGE PARTICULIER QUI PEUT RÉSULTER DE LA VENTE DE CE PRODUIT SERA LIMITÉE À UNE DURÉE DE VINGT-QUATRE (24) MOIS À COMPTER DE LA DATE D'ACHAT. NOUS DÉCLINONS TOUTES AUTRES GARANTIES IMPLICITES À MOINS D'EN ÊTRE EMPÊCHÉS PAR LA LOI, DANS QUEL CAS TELLES GARANTIES IMPLICITES EXPIRERONT À LA DATE LA PLUS PROCHE POSSIBLE PERMISE PAR LA LOI APPLICABLE. Certains États et provinces ne permettent pas les restrictions quant à la durée d'une garantie

implicite. Par conséquent, il se pourrait que la restriction mentionnée ci-dessus ne s'applique pas à votre cas. En vertu de la présente garantie, vous bénéficiez de droits juridiques particuliers; toutefois, d'autres droits peuvent s'appliquer, selon l'état ou la province où vous résidez.

Pour obtenir un remplacement si votre article est encore sous garantie, tout produit ou composant non fonctionnel doit être retourné, avec preuve d'achat à l'appui, chez WarmlyYours ou dans votre magasin d'achat original. L'acheteur est responsable de tous les frais encourus pour le retrait et la réinstallation du produit et doit prépayer les frais d'expédition à l'usine ou au point d'achat.

## PRÉ-INSTALLATION : PLANIFICATION ET RENSEIGNEMENTS

### A. Le but du câble de chauffage

Le câble de dégivrage est conçu pour empêcher l'accumulation de glace, connue comme digues de glace, sur les toits, dans les gouttières et descentes pluviales. Lorsqu'il est installé et utilisé correctement, ce produit crée un passage pour l'écoulement de la neige ou glace fondue («eau de fonte») du toit vers le sol.

### B. Qui devrait installer ce chauffage

Un électricien accrédité si vous n'êtes pas certain des exigences énoncées ci-dessous ou si vous avez peut-être besoin de vous conformer à tous les codes électriques et règlements en vigueur.

### C. Quand doit-on installer le câble

Le câble de dégivrage peut être installé quand :

- Il n'y a pas de neige ou glace sur le toit

Ce câble a été conçu pour créer un passage libre pour la neige et la glace déjà fondues.

Pour prévenir les digues de glace futures, vous pouvez installer le câble de dégivrage une fois que la glace et la neige ont fondu et avant la nouvelle saison hivernale.

N'utilisez pas ce câble pour faire fondre la neige et la glace qui sont déjà formées sur votre toit ou dans vos gouttières ou descentes pluviales parce que vous ne pourriez pas fixer le câble correctement avec les pinces.

## PRÉ-INSTALLATION : PLANIFICATION ET RENSEIGNEMENTS

- La température vous permet de soulever les languettes de bardeaux  
En général, les températures doivent être comprises entre 0 °C et 27 °C (32 °F et 80 °F). En-dessous de 0 °C (32 °F), les bardeaux sont fragiles et peuvent casser lorsque vous les soulevez pour installer les pinces pour câble. Au-dessus de 27 °C (80 °F), les bardeaux peuvent être brûlants et se déchirer lorsque vous les soulevez pour installer les pinces pour câble.

### D. Déterminer où le câble doit être installé

Le câble doit être installé sur les sections de toit où des digues de glace sont susceptibles de se former et où un excès de neige est susceptible de s'accumuler. Une digue de glace se forme lorsque la neige a fondu sur la surface supérieure d'un toit mais la zone en-dessous est toujours couverte de neige et/ou glace.

Il faut également installer un câble dans les gouttières, descentes pluviales et/ou noues proches afin qu'un passage libre soit fourni à l'eau de fonte.

Si vos problèmes de digue de glace antérieurs n'ont compris que la formation de glace dans la gouttière et qu'il n'y a pas de problème de digue de glace sur le toit, installez le câble dans la gouttière et la descente pluviale uniquement.

### E. Vérification de la longueur du câble de chauffage à installer

Une fois que vous avez déterminé sur quelles sections du toit il faut installer le câble de chauffage, consultez l'Annexe A pour vérifier la longueur de câble nécessaire.

## EXIGENCES RELATIVES AUX MATÉRIAUX DU TOIT, GOUTTIÈRES ET DESCENTES PLUVIALES

### Ce kit ne doit être utilisé que sur :

- Les toits inclinés à gouttières/descentes
- pluviales en métal ou plastique
- Les toits avec bardeaux non combustibles (Ex. : bardeaux bitumés) conformes aux codes du bâtiment nationaux



**AVERTISSEMENT** : L'utilisation de ce kit sur tout autre type de toit, gouttière ou descente pluviale augmente le risque de formation de digues de glace ou de blessures corporelles ou mort résultant d'une électrocution ou d'un incendie.

N'utilisez pas ce kit sur tout autre type de toit, gouttière ou descente pluviale, y compris :

- Les toits avec bardeaux en bois
- Les bois en caoutchouc ou à membrane en caoutchouc
- Les toits en matériau composite (goudron et gravier)
- Les gouttières ou descente pluviales en bois
- Les toits plats
- Le câble ETC ne peut pas être utilisé sur les toits en ardoise, pierre, métal ou céramique.

Ces types de toits requièrent une installation spéciale ou l'utilisation d'un câble à autorégulation.

Si vous n'êtes pas sûr des matériaux utilisés pour votre toit, vos gouttières et descentes pluviales, faites appel à un entrepreneur de couverture professionnel.

## EXIGENCES EN MATIÈRE D'ÉLECTRICITÉ

Faites appel à votre électricien local accrédité si vous n'êtes pas sûr de la façon d'installer ce câble de chauffage. Il faut que l'installation soit conforme à tous les codes de l'électricité locaux.



# EXIGENCES EN MATIÈRE D'ÉLECTRICITÉ (suite)

Ce câble doit être branché dans une prise extérieure de 120 volts c.a. qui :

- Est mise à la terre. Ce câble possède une fiche à trois broches, dont une broche de mise à la terre, pour réduire le risque d'incendie et d'électrocution. La fiche doit être branchée dans une prise de courant qui est correctement installée et mise à la terre conformément aux codes et aux règlements locaux. Ne modifiez pas la fiche.
- Est protégée contre les défauts de terre. Une prise protégée contre les défauts de terre réduit le risque d'incendie ou d'électrocution en coupant le courant électrique lorsque le disjoncteur de fuite à la terre détecte que le courant est inapproprié dans le câble.  
Si vous n'êtes pas certain que la prise est munie d'une protection contre les défauts de terre, faites appel à votre électricien local accrédité.
- Le câble est branché dans un circuit qui reçoit suffisamment de courant (ampères). N'utilisez pas ce câble sur un circuit dont le disjoncteur ou fusible accepte plus de 20 ampères. Limiter le circuit à un maximum de 20 ampères réduira le risque d'incendie et d'électrocution si le câble est endommagé.  
Bien qu'un circuit de 20 ampères soit le maximum autorisé, vous devez également vérifier que le circuit peut fournir suffisamment de courant sans être surchargé. Surcharger un circuit peut faire disjoncter un disjoncteur ou sauter un fusible. Pour éviter de surcharger le circuit, n'utilisez pas plus de 80 % de la capacité nominale du circuit. Consultez le Tableau 1 ci-dessous pour connaître le courant requis en fonction de la longueur de votre câble. Si vous ne disposez pas d'un circuit dont la capacité nominale est appropriée, faites appel à un électricien accrédité.

## Tableau 1 Ampères requis selon le modèle du produit

Numéro de catalogue	Ampères requis
ETC120-5W-030-WY	1,3
ETC120-5W-060-WY	2,5
ETC120-5W-080-WY	3,3
ETC120-5W-100-WY	4,2

- Possède un interrupteur marche/arrêt avec un témoin lumineux. Le témoin lumineux doit être câblé pour s'allumer lorsque le câble est alimenté. Mettre le câble en marche par temps chaud peut le faire surchauffer et augmenter le risque d'incendie ou d'électrocution.
- Est protégée contre les intempéries. La connexion entre la fiche et la prise doit être protégée contre la pluie, la neige ou les autres éléments. Vous pouvez utiliser soit :
  1. une prise de courant dans un emplacement protégé des intempéries.
  2. une prise de courant munie d'une enceinte résistante aux intempéries, similaire à celle illustrée ci-dessous.
- Se trouve à moins d'1,83 m (6 pi) du point de départ du câble sur le toit. Le conducteur froid du câble mesure 1,83 m (6 pi) et le reste du câble est le câble de chauffage. La prise doit se trouver à moins de 1,83 m (6 pi) du point de départ de la portion de chauffage du câble sur le toit (uniquement).  
Nous vous recommandons de ne pas utiliser de rallonge électrique avec ce câble.

Figure 1B.  
Enceinte protectrice  
pour prise de courant  
en cours d'utilisation

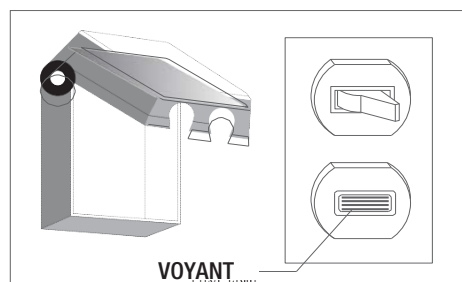


Figure 1A.  
Interrupteur  
marche/arrêt avec  
un témoin lumineux  
(voyant).

# MATÉRIEL NÉCESSAIRE À L'INSTALLATION

## A. CONTENU DU KIT ETC

Ce kit contient : Câble  
Écarteurs de câble  
Pince à bardeau

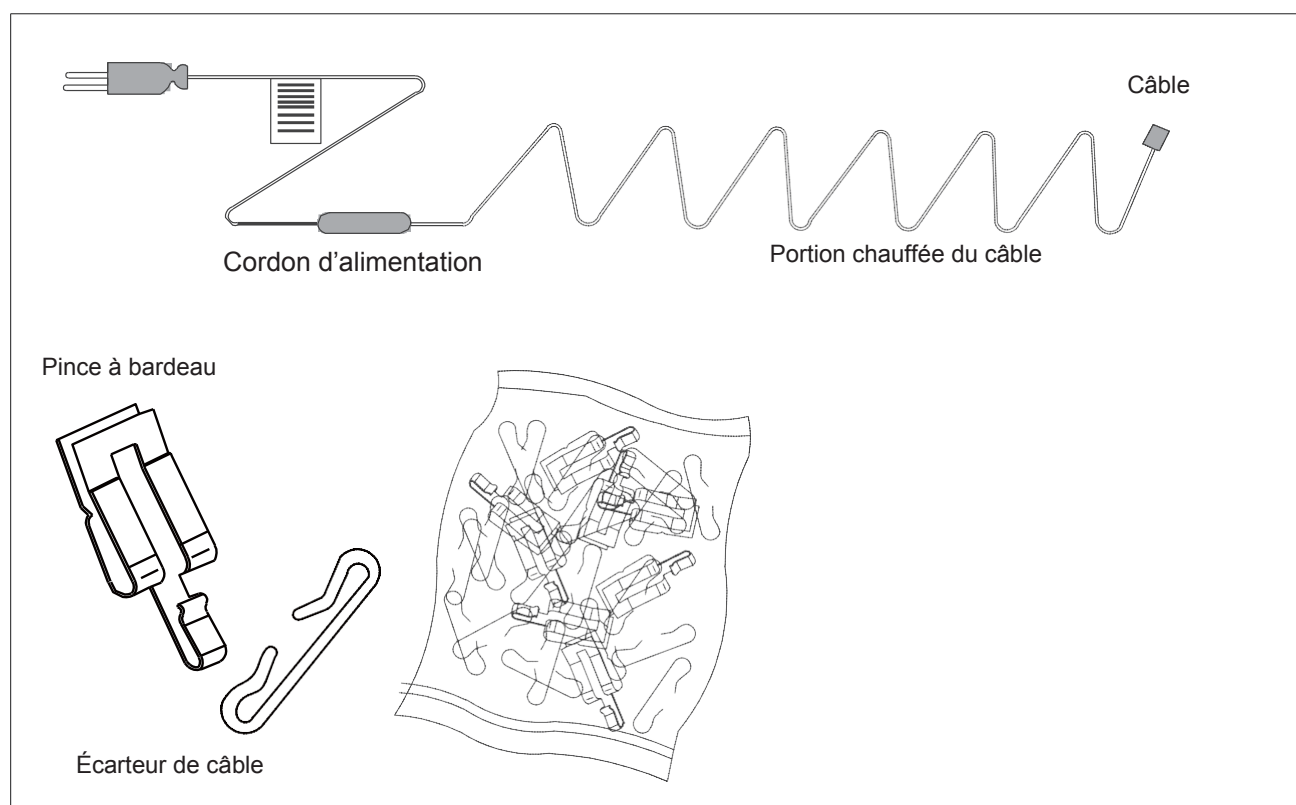


Figure 2. Contenu du kit de ETC

Si tout élément de ce kit est manquant ou endommagé, veuillez contacter le service à la clientèle.

## B. Outils et matériel supplémentaires requis

Vous aurez également besoin de :

Ruban à mesurer pour mesurer la longueur des bordures de toit, les surplombs, etc.

Couteau à mastic, pour soulever les bardeaux

Craie de marquage, pour marquer le tracé du câble sur les bardeaux

Ficelle lestée pour mesurer la longueur de câble nécessaire dans les descentes pluviales et pour tirer le câble dans des descentes pluviales

Lime pour éliminer les bords tranchants le long des gouttières et descentes pluviales

Échelles si nécessaires

# INSTALLATION DU CÂBLE



**AVERTISSEMENT** : Un manque à suivre ces instructions d'installation, de manipulation et de placement du câble de chauffage peut entraîner la formation de digues de glace qui peuvent causer des blessures corporelles graves ou la mort résultant d'une électrocution ou d'un incendie.

## A. PLANIFICATION DE L'INSTALLATION DE VOTRE CÂBLE

Avant de poser et de fixer le câble sur votre toit, il est important de planifier la façon dont le câble sera fixé.

Pour éviter les digues de glace, le câble doit être disposé de manière à laisser une voie dégagée pour que l'eau de fonte s'écoule des «zones chaudes» du toit en passant par les «zones froides» dans les descentes pluviales et jusqu'au sol. Une «zone chaude» est l'emplacement où la neige et la glace ne gèlent pas en raison de la perte de chaleur résultant d'une mauvaise ventilation du toit et/ou une isolation insuffisante du plafond. Les «zones froides» se trouvent dans les emplacements où la glace s'accumule en général, comme au-dessus des surplombs et dans les gouttières.



**AVERTISSEMENT** : Surchauffe du câble; Ne laissez aucune partie d'un câble passer par l'intérieur de toute partie d'un bâtiment, y compris un grenier. N'installez pas le câble dans une descente pluviale dont une section traverse un bâtiment. N'installez pas le câble dans les emplacements où il pourrait être chauffé par des sources de chaleur telles qu'une bouche d'évacuation ou une cheminée. Gardez le câble à une distance d'au moins 30,48 cm (12 po) de ces sources de chaleur.

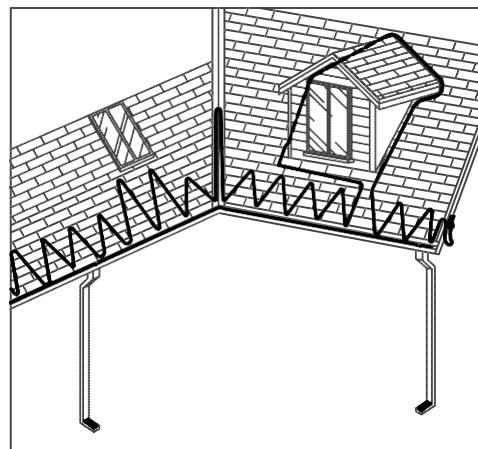
### OÙ COMMENCER :

Le point de départ du câble doit être éloigné de toute personne qui passe. Pour obtenir des renseignements supplémentaires sur le choix de l'emplacement d'une prise de courant, veuillez consulter Exigences en matière d'électricité aux pages 4 et 5.

Si une prise de courant existe dans un emplacement approprié, elle représentera votre point de départ. Sinon, choisissez un point de départ approprié et faites installer une prise de courant munie d'un disjoncteur de fuite à la terre. (Voir les Exigences en matière d'électricité aux pages 4 et 5)

### Planification de la disposition ou du tracé sur le toit.

Diverses façons de fixer le câble au toit sont fournies aux pages suivantes. Installez toujours le câble dans les noues qui font partie de toute zone problématique du toit.



□ Figure 3. Techniques d'installation le long de la ligne de toiture et dans les gouttières/descentes pluviales

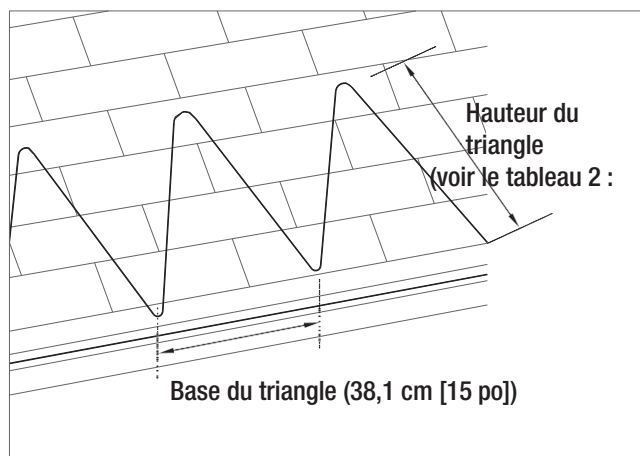
Marquez le tracé du câble à la craie, puis positionnez le câble. Un dessin serait utile avant le positionnement

### Tracé pour la bordure du toit :

Le câble est installé suivant un tracé triangulaire (voir la Figure 4). Le câble doit passer au-dessus du surplomb dans la section chaude du toit. Pour déterminer la hauteur des triangles, mesurez la profondeur du surplomb. Les hauteurs des triangles sont mesurées par le nombre de rangées de bardeaux depuis le bord du toit (sur la base de bardeaux standard de 13,97 cm [5-1/2 po]). En utilisant le tableau 2, déterminez la hauteur de chaque triangle. Avec cette méthode, les triangles couvriront au moins une rangée de bardeaux (13,97 cm [5-1/2 po]) dans la zone chaude du toit.

La base de chaque triangle mesure la plupart du temps 38,1 cm (15 po) de large. Si vous avez des bardeaux non standard, veuillez contacter le service à la clientèle pour une assistance.

# INSTALLATION DU CÂBLE (suite)

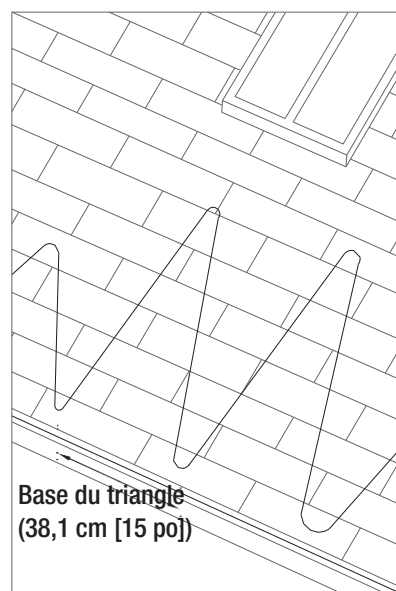


□ Figure 4. Tracé en triangles le long de la ligne de toiture

## Tracé pour les puits de lumière :

Les zones à puits de lumière sont également équipées en utilisant le «tracé en triangles». La hauteur du triangle doit couvrir une rangée de bardeaux de 13,97 cm (5-1/2 po) sous le puits de lumière. La base du triangle demeure 38,1 cm (15 po) (Voir la Figure 5)

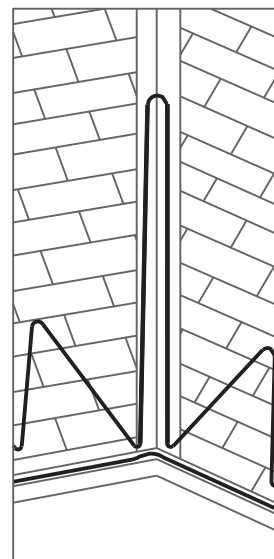
Les hauteurs de triangles ne doivent pas dépasser 6,1 m (20 pi). Les pinces fournies avec le kit ne sont pas conçues pour fixer des triangles si grands. Pour les zones problématiques qui se trouvent à plus de 6,1 m (20 pi) de la bordure du toit, un câble de dégivrage de qualité commerciale doit être installé par un installateur professionnel.



□ Figure 5. Tracé en triangles près d'un puits de lumière

## Tracé pour les noues :

Si une noue est présente dans une zone problématique de votre toit, vous devez acheminer le câble en double, de bas en haut et de haut en bas, le long de la noue sur au moins 0,91 m (3 pi) tel qu'illustré dans la Figure 6. Amenez le câble plus haut si la zone chaude de votre toit se trouve plus haut.



□ Figure 6. Tracé de câble dans une noue

## Tracé pour les lucarnes :

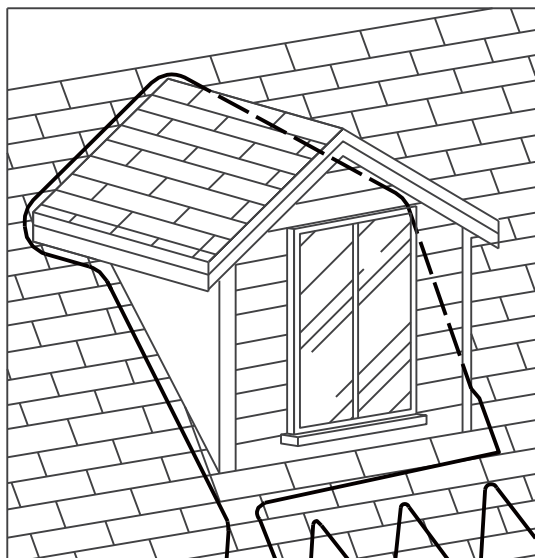
Il faut disposer le câble dessus et autour de la lucarne tel qu'illustré dans la Figure 7.

Tableau 2 Hauteurs des triangles pour les

□ surplombs

Surplomb (cm [po].)	Hauteur des triangles (Rangées de bardeaux)
30,48 (12) ou moins	3
30,48 à 45,72 (12-18)	4
45,72 à 60,96 (18-24)	5
60,96 à 76,2 (24-30)	6
76,2 à 91,44 (30-36)	7
91,44 à 106 (36-42)	8
106 à 121 (42-48)	9
121 à 137 (48-54)	10
137 à 152 (54-60)	11
152 à 167 (60-66)	12
167 à 182 (66-72)	13

## INSTALLATION DU CÂBLE (suite)



□ Figure 7. Tracé du câble autour d'une lucarne

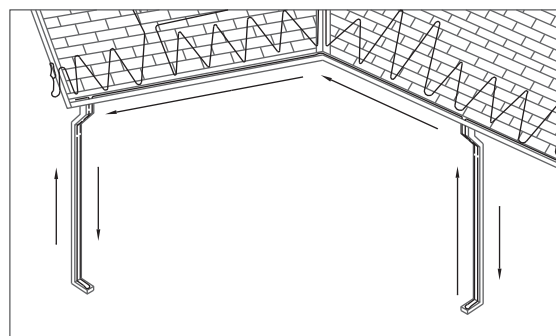
### Techniques d'installation pour d'autres zones de toit spéciales :

Gardez toujours la base du triangle à 38,1 cm (15 po). La hauteur du triangle peut couvrir au moins une rangée de bardeaux (13,97 cm [5-1/2 po]) dans la zone chaude du toit.

La hauteur du triangle ne doit pas dépasser 6,1 m (20 pi). Les pinces fournies avec le kit ne sont pas conçues pour fixer des triangles si grands. Pour les zones problématiques qui se trouvent à plus de 6,1 m (20 pi) de la bordure du toit, un câble de dégivrage de qualité commerciale doit être installé par un installateur professionnel.

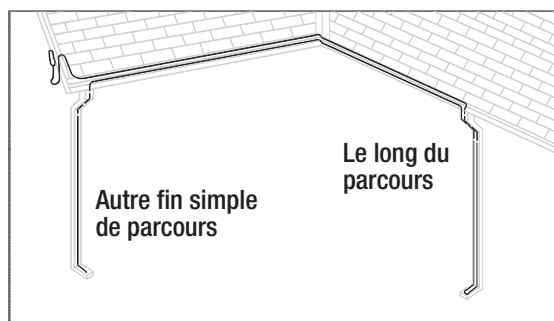
### Technique d'installation dans les gouttières et descentes pluviales :

La gouttière correspondant à chaque zone de toit équipée d'un câble de chauffage doit également être munie d'un câble de chauffage. Une fois que le câble est fixé le long de la ligne de toiture, il faut installer le câble en retour le long de la ligne de toiture traitée en passant par la gouttière. Prévoyez d'installer le câble en le faisant descendre puis remonter à l'intérieur de toute descente pluviale rencontrée le long du parcours. Si une descente pluviale se trouve au bout de la ligne de toiture, vous avez seulement besoin de faire descendre puis remonter le câble à l'intérieur de cette descente pluviale. Cependant, si le câble est trop court, faites seulement descendre le câble à l'intérieur de la descente pluviale, ne le faites pas remonter. Le câble doit s'arrêter en bas de la descente pluviale.



□ Figure 8. Câble installé le long de la ligne de toiture dans la gouttière et les descentes pluviales

Si les problèmes de givrage ne se produisent que dans les gouttières, installez le câble uniquement dans la gouttière et les descentes pluviales au moyen de la technique à double parcours illustrée à la Figure 9. Cette figure illustre une technique à parcours simple.



□ Figure 9. «Double parcours de câble» dans la gouttière et les descentes pluviales

### Au sujet du nombre de câbles.

Si des zones séparées sont traitées, il sera peut-être préférable d'utiliser des câbles séparés. Lorsque vous planifiez l'installation de votre câble, tenez compte de l'emplacement sur lequel chaque câble sera installé selon sa longueur.

Il est également possible d'utiliser le même câble pour deux zones; le câble peut être installé d'une zone à l'autre en le faisant passer dans la gouttière ou en l'attachant horizontalement aux bardeaux. N'installez pas le câble par-dessus le toit.

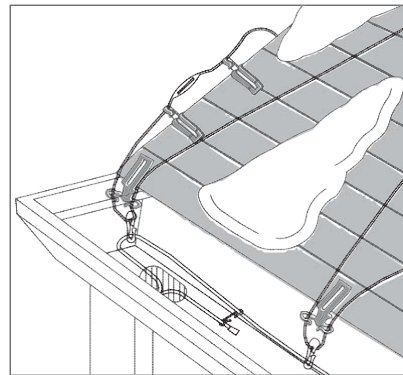
### Câbles trop courts ou trop longs.

Pour les câbles légèrement trop courts, les triangles peuvent être diminués dans les zones moins sujettes aux diges de glace. Si une descente pluviale est présente à l'extrémité de la ligne de toiture, le câble peut être installé selon un parcours simple descendant ou tel que recommandé en descendant et remontant. Le câble doit s'arrêter en bas de la descente pluviale. Voir la Figure 22.

# INSTALLATION DU CÂBLE (suite)

## B. MANIPULATION ET ENTRETIEN APPROPRIÉS DU CÂBLE

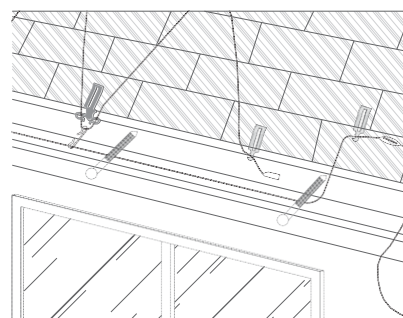
- Ne marchez pas sur le câble.
- Ne pliez pas le câble à un angle plus aigu que nécessaire pour l'utiliser avec les pinces fournies avec le kit et conformément aux instructions d'installation. Les pliures à un angle trop aigu peuvent endommager l'élément de chauffage.
- Ne laissez pas la portion chauffée d'un câble en cours d'utilisation se toucher, s'entrecroiser ou se chevaucher ou toucher un autre câble de dégivrage.
- Ne coupez, n'épissez ou ne modifiez le câble de dégivrage d'aucune façon.
- Ne recouvrez ou n'isolez aucune partie du câble.
- Ne le peignez pas et ne l'exposez pas aux produits chimiques tels que la colle, le mastic ou les adhésifs.



□ Figure 10. Point de départ près du bord du toit

## C. TESTER LE CÂBLE

Vous voudrez peut-être tester le câble avant de l'installer. Pour le tester, déroulez complètement le câble de chauffage pour qu'il ne se touche, ne s'entrecroise ou ne se chevauche pas. Ne branchez pas le câble avant de l'avoir complètement déroulé. Branchez le câble et au bout d'environ 5 minutes, il devrait être légèrement chaud au toucher. Ensuite, débranchez le câble.



□ Figure 11. Point de départ le long du bord de la gouttière

## D. PRÉPARATION DU TOIT, DES GOUTTIÈRES ET DESCENTES PLUVIALES

AVANT d'installer le câble de dégivrage, suivez les étapes suivantes :

- Retirez tous les câbles de dégivrage ou de chauffage, pinces et écarteurs de câble existants dans la zone où le nouveau câble sera installé. (Voir retrait du câble aux pages 12 et 13).
- Retirez tous les débris combustibles des toits, gouttières et descentes pluviales, tels que les feuilles, aiguilles de pin, graines et déchets transportés par le vent.
- Recherchez visuellement et au toucher les bords tranchants ou en dents de scie le long des gouttières et descentes pluviales qui pourraient endommager le câble. Les bords tranchants ou en dents de scie peuvent comprendre les rebords de gouttières, les raccords de descente pluviale ou les vis. Éliminez les bords tranchants ou en dents de scie en les limant ou en les repliant.

### Fixation du câble avec les pinces et écarteurs de câble.

Sans casser le bardeau, soulevez-le légèrement et de manière uniforme avec un couteau à mastic. Soulevez le bardeau juste assez pour insérer la pince. Appuyez fermement sur le bardeau pour le remettre en place.



Remarque : Les bardeaux se scelleront de nouveau par temps chaud.

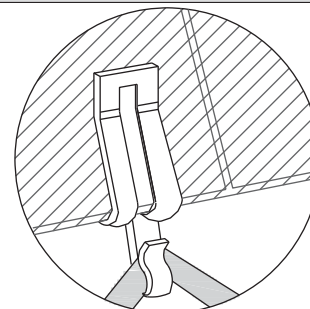
## E. FIXATION DU CÂBLE

N'utilisez que les pinces et écarteurs fournis pour fixer le câble. Ne tentez pas d'agrafer ou de clouer le câble ou de l'attacher avec des matériaux tels que la colle, le mastic ou les adhésifs. Pendant l'installation du câble sur le toit, il est recommandé d'attacher les pinces et écarteurs de manière lâche au cas où des ajustements s'avèreraient nécessaires.

### Fixation du câble au point de départ.

Fixez tout d'abord le câble au bord du toit, près de la prise, en utilisant les pinces tel qu'illustré aux Figures 10 ou 11. Ne branchez pas le câble pour l'instant.

Ensuite, installez votre câble comme prévu sur votre toit ou dans votre gouttière et vos descentes pluviales. Des renseignements détaillés sur la fixation des pinces et écarteurs sont fournis dans les sections suivantes.

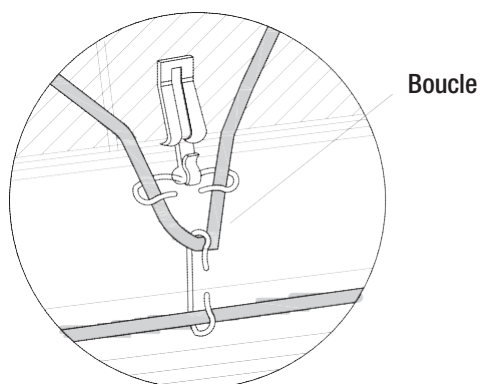


□ Figure 12. Fixation des pinces aux bardeaux en haut des triangles

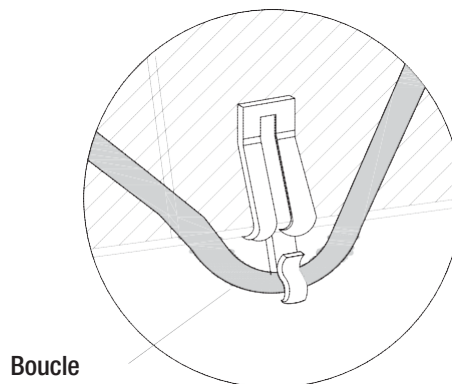
### Aux bas des triangles le long de la bordure du toit

Faites une boucle par-dessus la bordure du toit pour guider l'eau de fonte dans la gouttière ou vers le sol. Il faut un minimum de 5 cm (2 po) entre le bas de la boucle d'égouttement et le fond de la gouttière.

## INSTALLATION DU CÂBLE (suite)



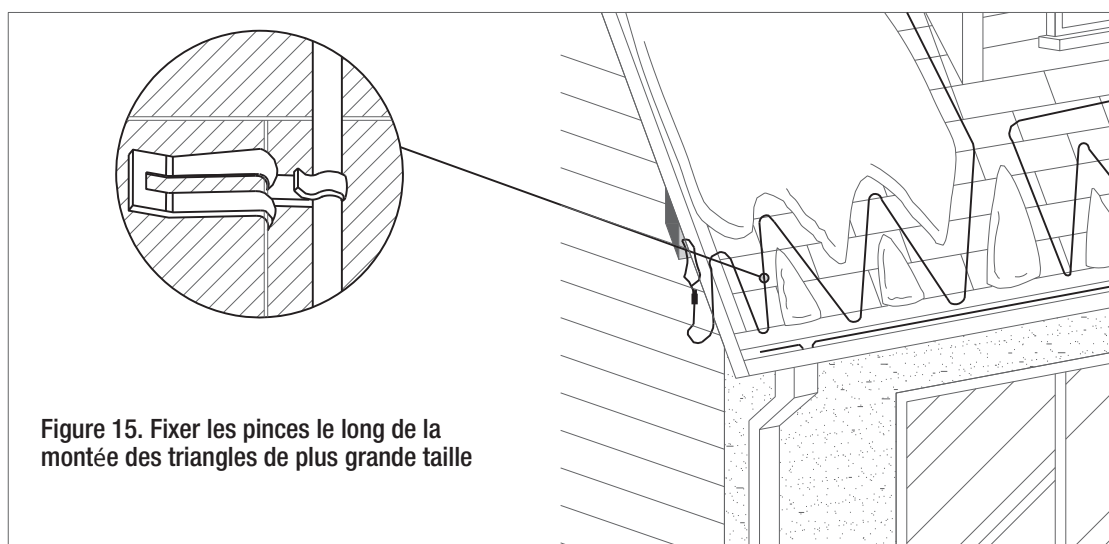
□ Figure 13. Fixation des pinces aux bardeaux au bord du toit muni de gouttières



□ Figure 14. Fixation des pinces aux bardeaux au bord du toit muni de gouttières

### Le long de la montée des grands triangles

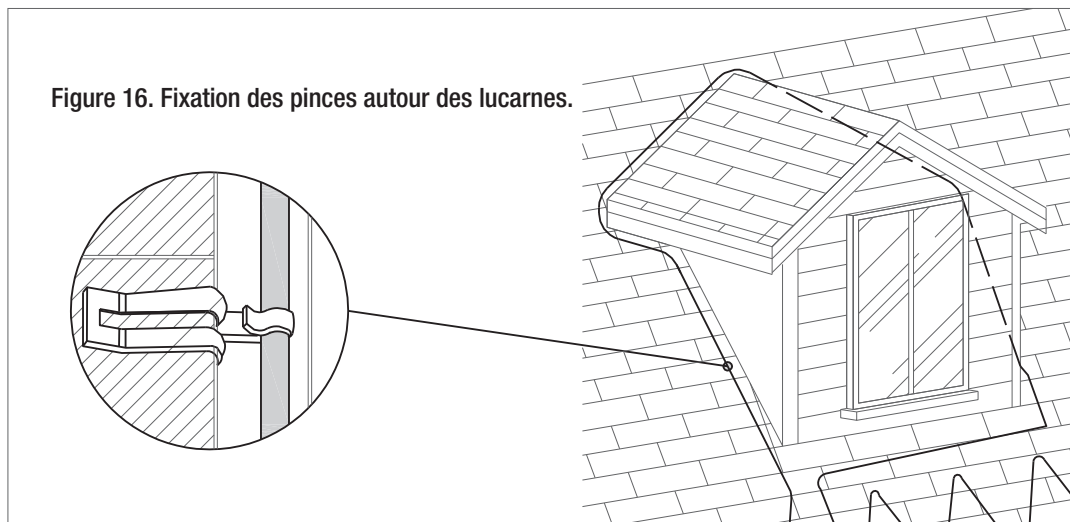
Pour les triangles qui mesurent plus de 0,91 m (3 pi), fixez également des pinces tous les 0,91 m (3 pi) dans la hauteur du toit.



### Autour des lucarnes

La Figure 16 illustre comment utiliser une pince pour attacher le câble lorsqu'il passe verticalement autour d'une lucarne. Soulevez le bord latéral du bardeau pour insérer doucement la pince par le côté.

## INSTALLATION DU CÂBLE (suite)



### À côté des puits de lumière

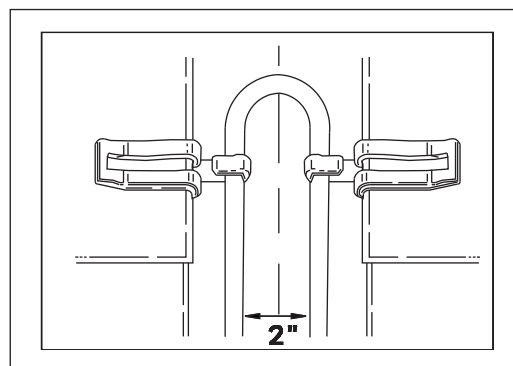
Les triangles de câbles sont fixés à côté des puits de lumière de la même manière, tel qu'illustré dans les Figures 12, 13 et 14. Si le puits de lumière se trouve tout en haut du toit (rendant les triangles plus grands que 0,91 m [3 pi]), les pinces doivent également être fixées tous les 0,91 m (3 pi) dans la hauteur pour tenir le câble, tel qu'illustré dans la Figure 15.

### De haut en bas des noues

La Figure 17 illustre comment utiliser une pince pour attacher le câble le long de la noue. Soulevez le bord du bardeau pour insérer la pince par le côté.

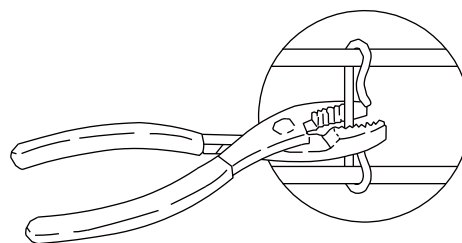
□ Figure 17. Fixer les pinces aux noues

**Installation du câble dans la gouttière au moyen des écarteurs de câble.** Lorsque vous installez le câble dans la gouttière, vous pouvez serrer les écarteurs avec les doigts ou des pinces. Si vous utilisez des pinces, serrez doucement et veillez à éviter de pincer, sertir ou couper le câble. Ceci endommagerait le câble (voir la Figure 18).



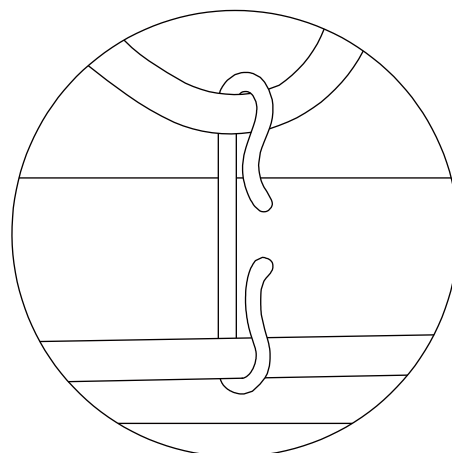
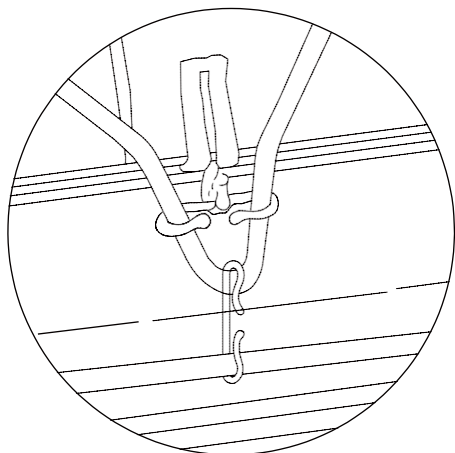
□ Figure 18. Serrer les écarteurs au moyen des pinces

Placez le câble passant dans la gouttière en bas de chaque boucle d'égouttement que vous avez formée. Voir la Figure 19. Gardez le câble dans la gouttière bien tendu et hors du fond de la gouttière pour éviter la perte de chaleur.



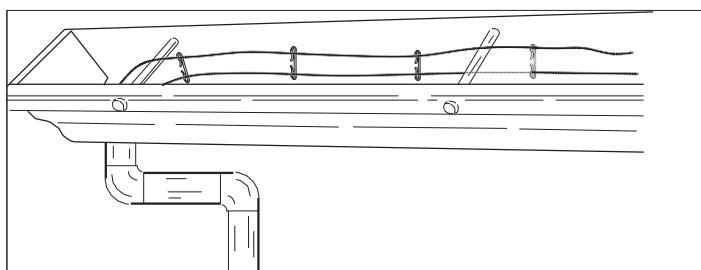


## INSTALLATION DU CÂBLE (suite)

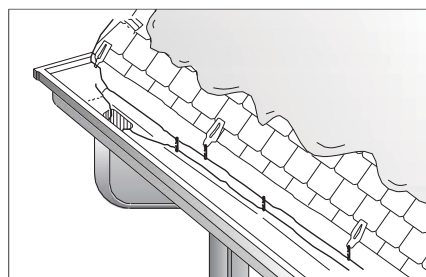


□ Figure 19. Fixer les pinces aux gouttières

Si seules les gouttières ont besoin d'être dégivrées, utilisez un «double parcours» de câble dans les gouttières et descentes pluviales. La Figure 20a illustre une gouttière installée avec des clous pour gouttière. Installez le câble par-dessous et par-dessus le clou de gouttière afin de garder le câble suspendu hors du fond de la gouttière. Les écarteurs doivent être espacés de 30,48 cm (12 po). La Figure 20b illustre une gouttière installée avec des pinces de gouttière externes. Utilisez les pinces et écarteurs pour garder le câble suspendu hors du fond de la gouttière. Les pinces doivent être fixées tous les 0,91 m (3 pi) le long du toit.



□ Figure 20a. Double parcours de câble dans les installations de gouttière uniquement (gouttières avec crampons pour gouttière)



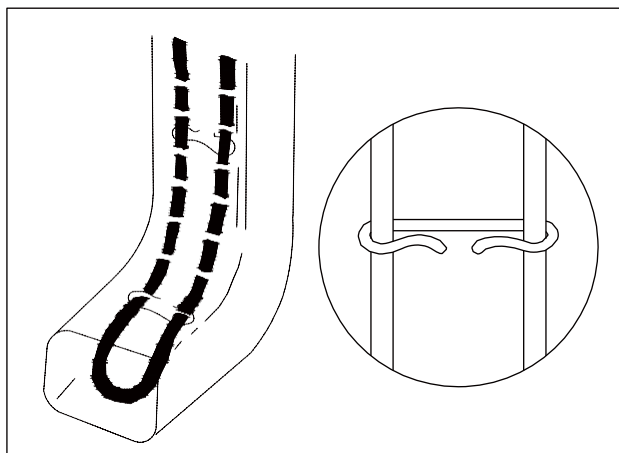
□ Figure 20b. Double parcours de câble dans les installations de gouttière uniquement (gouttières sans crampons pour gouttière)

### Installation du câble dans les descentes pluviales au moyen des écarteurs de câble

Pour les descentes pluviales situées le long de la ligne de toiture, le câble doit être installé en descendant et remontant à l'intérieur de la descente pluviale. N'enroulez pas le câble autour de la descente pluviale et ne tentez d'aucune autre manière de l'attacher à l'extérieur.

Le câble doit affleurer au ras de l'extrémité de la descente pluviale. Le câble ne doit dépasser d'aucune manière de la descente pluviale.

## INSTALLATION DU CÂBLE (suite)



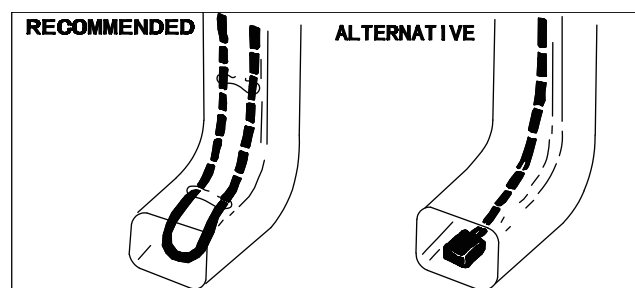
□ Figure 21. Double parcours de câble dans les descentes pluviales «le long du parcours»

Une fois que vous connaissez la longueur de câble nécessaire, l'étape suivante consiste à installer les écarteurs et descendre le câble dans la descente pluviale. Les écarteurs doivent être attachés au câble tous les 15,24 cm (6 po) pour empêcher le câble de se toucher dans la descente pluviale. Vous devez serrer les écarteurs avant de descendre le câble dans la descente pluviale. (voir la Figure 18). Tirez le câble dans la descente pluviale au moyen d'une ficelle lestée.

Descente pluviale de «Fin de parcours». Si une descente pluviale se trouve à la fin du parcours de la ligne de toiture, il est conseillé de faire descendre puis remonter le câble à l'intérieur de cette descente pluviale. (voir la Figure 22). Si vous découvrez à cette étape que vous avez trop de câbles, les triangles situés sur le toit peuvent être agrandis (jusqu'à 6,1 m [20 pi] de haut) ou les boucles de câble dans les noues peuvent être allongées. S'il vous manque du câble (l'extrémité du câble n'atteint pas le bas de la descente pluviale), vous pouvez diminuer la hauteur des triangles dans les zones du toit qui sont moins sujettes aux digues de glace. Dans ce cas, il est également possible de n'avoir qu'un parcours simple de câble dans la dernière descente pluviale, borne à l'extrémité, tel qu'illustré à la Figure 22.



**AVERTISSEMENT** : Veuillez créer une bordure autour de cet avertissement.



□ Figure 22. Câble dans les descentes pluviales «Fin de parcours»

## F. ÉTAPES FINALES DE L'INSTALLATION

Vérifier que le câble n'a pas été déplacé de sa position prévue. La portion chauffée du câble doit être positionnée entièrement sur le toit et ne doit pas se toucher, s'entrecroiser ou se chevaucher.

# ENTRETIEN ET FONCTIONNEMENT DU CÂBLE

## A. VÉRIFICATION AVANT LA SAISON

Au début de la saison hivernale, vous devez :

Vérifier et retirer tous les débris combustibles des toits, gouttières et descentes pluviales, tels que les feuilles, aiguilles de pin, graines et déchets transportés par le vent.

Vérifier que le câble n'a pas été déplacé de sa position prévue. La portion chauffée du câble doit être positionnée entièrement sur le toit et ne doit pas se toucher, s'entrecroiser ou se chevaucher.

Sans le retirer du toit, effectuer une inspection visuelle du câble entier, y compris la fiche. Arrêter d'utiliser et retirer le câble s'il présente des signes de dommages ou détérioration, y compris des coupures, une fragilité, une carbonisation, des fissures, des surfaces décolorées ou des fils nus. Si un problème semble exister à l'intérieur d'une descente pluviale, retirez le câble pour l'inspecter.

Si aucun dommage n'est présent, branchez le cordon d'alimentation dans la prise de courant. Positionnez le cordon d'alimentation de façon à ce qu'il forme une boucle d'égouttement en utilisant un écarteur (voir la Figure 24). L'objectif de la boucle d'égouttement est d'empêcher l'eau de fonte de s'écouler le long du cordon d'alimentation et dans la prise.

Testez tous les dispositifs de protection contre les défauts de terre (voir les instructions fournies avec le dispositif).

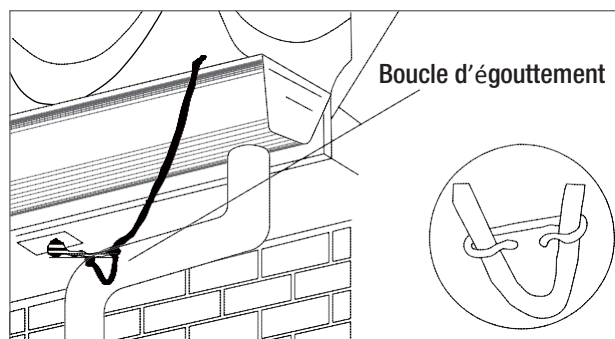


Figure 24. Former une boucle d'égouttement à côté du point de départ.

## B. MISE EN MARCHE/À L'ARRÊT DU CÂBLE

Pendant la saison hivernale, ne mettez le câble en marche que lorsque les conditions favorisent la formation des digues de glace. Il faut uniquement utiliser le câble lorsque :

La neige ou glace sur le toit fond et

La température extérieure est comprise entre  $-9^{\circ}\text{C}$  et  $2^{\circ}\text{C}$  ( $15^{\circ}\text{F}$  et  $35^{\circ}\text{F}$ ). En-dessous de  $-9^{\circ}\text{C}$  ( $15^{\circ}\text{F}$ ), peu de fonte se produit et dans les conditions extrêmement froides, il se peut que le câble ne génère pas suffisamment de chaleur dans certaines sections du toit pour empêcher l'eau de fonte de geler à nouveau. Ceci peut entraîner la formation de digues de glace qui peuvent causer l'accumulation d'eau sous vos bardeaux.

Une fois qu'il est mis en marche, le câble doit être éteint lorsque les conditions de fonte/gel disparaissent, en général aux

températures supérieures à  $2^{\circ}\text{C}$  ( $35^{\circ}\text{F}$ ). Le câble doit rester éteint jusqu'à ce que les conditions de fonte/gel reviennent.

Le câble peut être utilisé au moyen d'un interrupteur marche/arrêt (avec un témoin lumineux).

## C. VÉRIFICATION DU FONCTIONNEMENT ET DE L'ÉTAT DU CÂBLE

Pendant la saison hivernale et lorsque la neige ou la glace sur le toit fondent, vérifiez que l'eau de fonte du toit dispose d'une voie de passage complète pour arriver au sol. Si des problèmes de givrage persistent, le tracé du câble a peut-être besoin d'être modifié.

Pour ajuster le tracé de votre câble, vous devez tout d'abord débrancher le câble. Retirez le câble en ouvrant les pinces et écarteurs avec des pinces, selon les besoins, pour réaménager et fournir davantage de câble aux zones le nécessitant.

Pendant l'utilisation, le dispositif de protection contre les défauts de terre peut se déclencher si le câble est endommagé. Un déclenchement indésirable peut se produire si des pièces du circuit électrique sont mouillées. Cela peut être le cas si une pluie battante ou de la poudrière pénètre dans la prise de courant. L'utilisation d'une prise résistante aux intempéries peut aider à éliminer cet incident (voir la page 7).

Avant de réinitialiser le dispositif de protection contre les défauts de terre, débranchez et inspectez le câble tout entier à la recherche de dommages. Débarrassez-vous du câble s'il présente des signes de dommages ou détérioration. Si vous ne pouvez pas détecter de dommages sur le câble, réinitialisez le dispositif de protection contre les défauts de terre. Si le dispositif se déclenche à nouveau et qu'il n'y a pas d'autre explication, appelez un électricien accrédité pour vérifier le câble et le circuit. Un électricien accrédité peut déterminer si le câble est endommagé ou s'il y a un autre problème avec votre système électrique.

Selon les besoins pendant la saison hivernale, débranchez le câble et cherchez et éliminez tous les débris combustibles des toits, gouttières et descentes pluviales.

Environ une fois par mois pendant la saison hivernale, débranchez le câble et effectuez les mêmes vérifications que celles énoncées dans la section Vérification avant la saison à la page 9. Effectuez ces vérifications lorsque les conditions météorologiques et de la glace sur le toit le permettent.

## D. RÉINITIALISATION DU DISJONCTEUR/REPLACEMENT DU FUSIBLE SAUTÉ

À tout moment de l'utilisation, si le disjoncteur se déclenche, arrêtez d'utiliser le câble. Débranchez et inspectez le câble tout entier à la recherche de dommages. Débarrassez-vous du câble s'il présente des signes de dommages ou détérioration. Même si vous ne pouvez pas détecter les dommages du câble, appelez un entrepreneur en électricité.

## ENTRETIEN ET UTILISATION DU CÂBLE (suite)

### E. USAGE HORS SAISON

Le câble peut rester sur le toit toute l'année. Cependant, n'utilisez pas le câble lorsque les températures extérieures commencent à rester au-dessus de 10 °C (50 °F). Débranchez le câble.

## RETRAIT DU CÂBLE POUR LES RÉPARATIONS DU TOIT

Il faut retirer le câble avant de remplacer les bardeaux de votre toit, entamer des réparations et modifications du toit, ajouter des antennes ou tout autre article. Pour retirer le câble, attendez que les conditions climatiques le permette. Ensuite, débranchez le câble. Utilisez des pinces pour ouvrir les pinces et retirez le câble. Inspectez le câble tout entier avant de le remettre sur le toit. Si le câble est en bon état, il peut être replacé sur le toit conformément aux instructions. Si vous avez acheté un kit de dégivrage de rechange, n'utilisez que les nouvelles pinces fournies avec.

## ANNEXE A : ESTIMER LA LONGUEUR DE CÂBLE NÉCESSAIRE

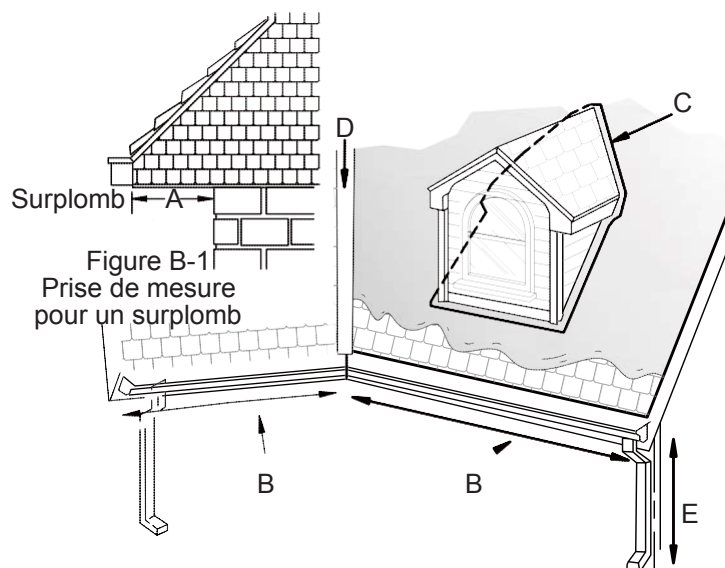
Si vous avez besoin d'installer le câble sur un toit muni de gouttières, descentes pluviales, noues et/ou lucarnes, suivez

«A. Pour les applications de toits typiques» ci-dessous. Si vous avez besoin d'installer le câble dans les gouttières uniquement, suivez «B. Pour les problèmes dans les gouttières uniquement» à la page 15.

Si vous avez besoin d'installer le câble sur un toit muni de zones de toit spéciales tels qu'un toit à puits de lumière, suivez «C. Pour les applications de toits avec zones de toit spéciales» à la page 15.

### A. POUR LES APPLICATIONS DE TOITS TYPIQUES

Étape 1. Pour chaque zone figurant au Tableau B-1, mesurez les dimensions requises (voir les Figure B-1 et B-2) et calculez la longueur de câble nécessaire. Additionnez le résultat obtenu (calculé) pour chaque «zone» pour déterminer la longueur totale de câble nécessaire.



# ANNEXE A : ESTIMER LA LONGUEUR DE CÂBLE NÉCESSAIRE (suite)

**Tableau B-1 Formule d'estimation de la longueur de câble pour les applications de toits typiques**

Zone	Comment calculer	Quoi mesurer
Le long du toit	Surplomb (A) Le long du toit (B)	Longueur du toit (B) X Multiplicateur de surplomb (voir Tableau B-2)
Autour de la lucarne	Périmètre autour de la lucarne (C)	Nombre de lucarnes X Le long d'une lucarne de toit (C)
Noue	Nombre de noues (D)	Nombre de noues (D) X 1,8 M ou 6 pi
Descente pluviale	Nombre de descente pluviale X Longueur des descentes pluviales (E)	Nombre de descente pluviale (E) X 2

**Tableau B-2 Multiplicateur  
de surplomb**

TOIT Moins de 12 po	SURPLOMB Moins de 30 cm	Multiplicateur Pour toit muni de gouttière 4,0	Multiplicateur Pour toit sans gouttière 3,0
12	30	4,0	3,0
24	60	5,3	4,3
36	90	6,8	5,8
48	120	8,1	7,1
60	150	9,6	8,6
72	180	11,2	10,2



Remarque : Pour les surplombs non indiqués, estimez le multiplicateur. Par exemple, pour un surplomb de 18 po avec gouttière, le multiplicateur sera environ 4,7.

ÉTAPE 2. Utilisez la longueur de câble estimée pour choisir le câble de dégivrage correct à partir du Tableau B-3. En général, choisissez le câble plus long si la longueur dont vous avez besoin est située entre celles de deux câbles. Si la différence est inférieure à 1,52 m (5 pi), utilisez le câble plus court.

Si des digues de glace posent un problème dans des zones du toit très éloignées les unes des autres, il est recommandé d'utiliser un câble séparé pour chaque emplacement. En outre, si les zones du toit sont importantes, utilisez des câbles séparés pour la zone de toit et pour les gouttières.

**Tableau B-3 Kits de dégivrage**

Numéro de catalogue	Longueur	
	Pi	M
ETC120-5W-030-WY	30	9
ETC120-5W-060-WY	60	18
ETC120-5W-080-WY	80	24
ETC120-5W-100-WY	100	31

## EN CAS DE GLACE DANS LES GOUTTIÈRES UNIQUEMENT

Si la glace s'accumule dans les gouttières uniquement (voir la Figure B-2), calculez la longueur de câble nécessaire pour chaque zone figurant au Tableau B-4. Additionnez le résultat obtenu (calculé) pour chaque «zone» pour déterminer la longueur totale de câble nécessaire.

# ANNEXE A : ESTIMER LA LONGUEUR DE CÂBLE NÉCESSAIRE (suite)

**Tableau B-4 Câble nécessaire en cas de glace dans les gouttières uniquement**

Zone	Comment calculer
Gouttière	Longueur de la gouttière (B) X2
Descente pluviale	Nombre de descente pluviale X Longueur de la descente pluviale (E) X2

## B. POUR LES TOITS AVEC DES ZONES DE TOIT SPÉCIALES

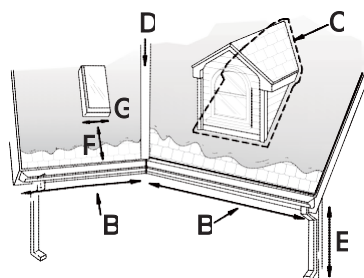
ÉTAPE 1. Pour chaque zone figurant au Tableau B-5, mesurez les dimensions requises (voir la Figure B-1 à la page 17 et la Figure B-3) et calculez la longueur de câble nécessaire. Additionnez le résultat obtenu (calculé) pour chaque «zone» pour déterminer la longueur totale de câble nécessaire.

**Tableau B-5 Formule d'estimation de la longueur de câble pour un toit avec zones de toit spéciales**

Zone	Quoi mesurer	Comment calculer
Le long du toit	Surplomb (A) Le long du toit (B)	Longueur du toit (B) X Multiplicateur de surplomb (voir Tableau B-2)
Lucarne	Périmètre autour de la lucarne (C)	Nombre de lucarnes X Périmètre autour de la(des) lucarne(s) (C)
Noue	Nombre de noues (D)	Nombre de noues (D) X 1,8 m ou 6 pi
Descentes pluviales	Nombre de descente pluviale Longueur des descentes pluviales du toit au sol (E)	Nombre de descente pluviale X Longueur de la descente pluviale (E) X 2
Zones de toit spéciales (tel que les puits de lumière)	Distance de la bordure du bas de la zone de toit Largeur des digues de glace le long de la zone de toit spéciale (G)	Distance de la bordure du toit au bas de la zone de toit spéciale (F) X Largeur des digues de glace qui se forment le long de la zone de toit spéciale (G) X Multiplicateur pour zones de toit spéciales (voir le Tableau B-6)



Remarque : N'incluez pas la largeur des zones spéciales (G) dans cette prise de mesures.



**Figure B-3. Prises de mesures du toit**

ÉTAPE 2. Servez-vous de la longueur de câble estimée calculée ci-dessus pour choisir le câble de dégivrage correct dans le Tableau B-3 à la page 17. En général, choisissez le câble plus long si la longueur dont vous avez besoin se situe entre celles de deux câbles. Si la différence est moindre (inférieure à environ 1,5 m [5 pi]), vous pouvez utiliser le câble plus court. Vous ne pouvez pas changer la longueur du câble en le coupant, l'épissant ou le modifiant d'une quelconque façon.

Si des digues de glace se produisent sur zones du toit très éloignées les unes des autres, vous voudrez peut-être utiliser un câble séparé pour chaque emplacement, plutôt que de choisir un seul grand câble. En outre, si les zones du toit sont de grande taille, il faut utiliser des câbles séparés pour la zone du toit et la gouttière.

## ANNEXE A : ESTIMER LA LONGUEUR DE CÂBLE NÉCESSAIRE (suite)

**Tableau B-6 Multiplicateur pour zones de toit spéciales**

<b>Multiplicateur</b>	<b>Multiplicateur</b>
pour les toits avec gouttière	pour les toits sans gouttière
2,6	1,6



# WarmlyYours

Radiant Heating

Questions, problèmes ou pièces manquantes?  
Appelez l'équipe de support technique de WarmlyYours à tout moment

**1 800 875-5285**