

Installation Instructions: Metal Halide Track Fixture – Vamp Series

**Models: JTK-HID202A-20E JTK-HID202A-39E & JTK-HID202A-70E
LTK-HID202A-20E LTK-HID202A-39E & LTK-HID202A-70E
HTK-HID202A-20E HTK-HID202A-39E & HTK-HID202A-70E**

CAUTION:

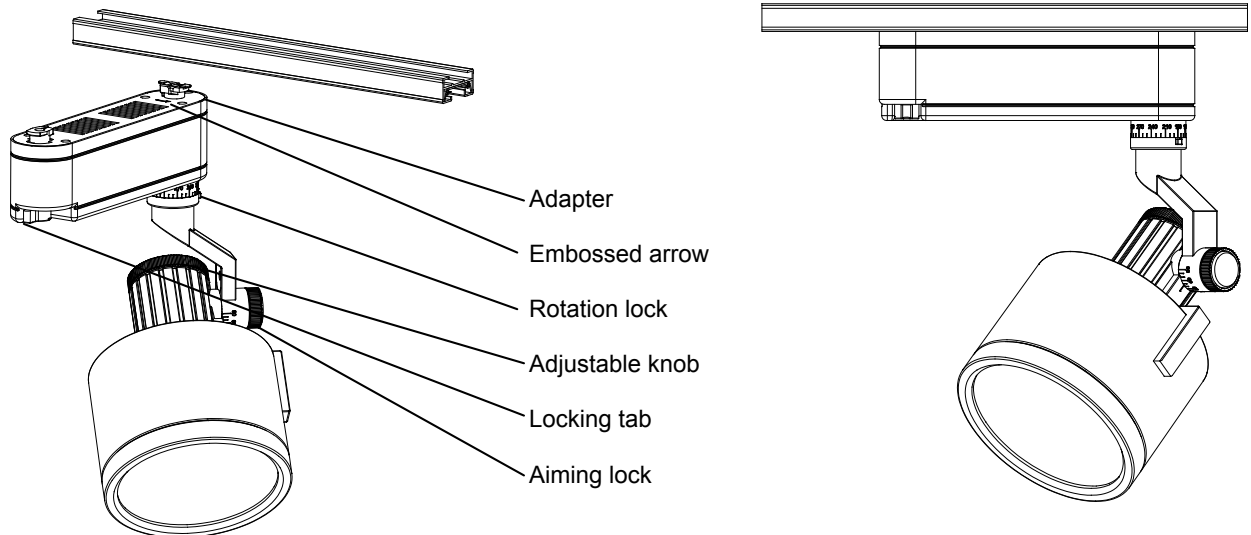
For Use with WAC “J” “J2” / “L” and “H” track systems: JTK-* use with “J” & “J2” track system, LTK-* use with “L” track system, HTK-* use with “H” track systems. Fixture may also be used on other manufacturers brand of track (consult factory for compatibility).

CAUTION – To reduce the risk of a burn during relamping, remove from the track before relamping.

Read all instructions before installing.

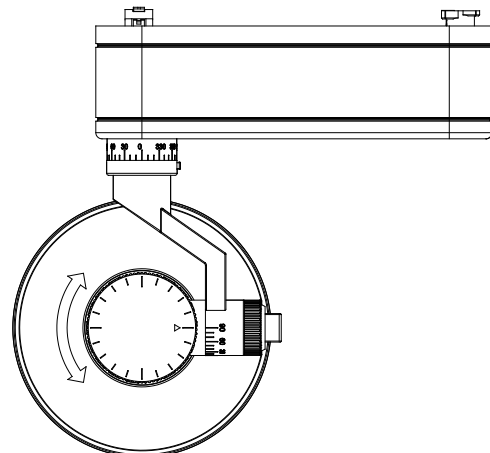
Installing on Track:

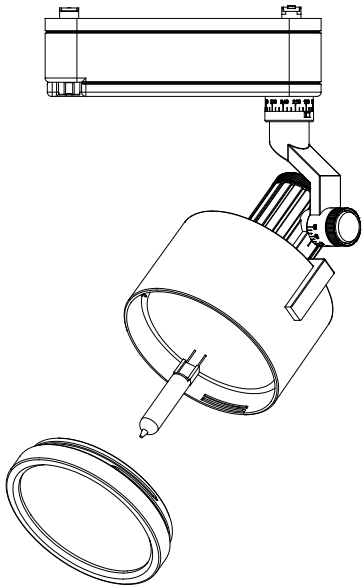
1. Note the track has a groove running its length to indicate polarity.
2. Insert adapter into track slot and rotate it 90° the embossed arrow on the adapter should point to the grooved side of the track.
3. Push up and turn the locking tab into the lock position.
4. Removal is the reverse procedure. Tracks may be positioned anywhere along the track length.
5. Vertical and horizontal aiming have push lock buttons to secure settings.



Adjustable beam angle:

1. The adjustable knob can rotate 360° , Follow the knob rotate, the beam of the fixture can adjust from 15° to 35° .





Re-Lamping:

1. Use appropriate protection when handling hot lamps.
2. Turn power off at main switch.
3. Turn lens cap counterclockwise to remove.
4. Grasp lamp with a clean cloth and pull straight out to remove.
5. For JTK-HID202A-20E / LTK-HID202A-20E and HTK-HID202A-20E Use T4 metal halide G8.5 base lamps 20W only.
6. For JTK-HID202A-39E / LTK-HID202A-39A and HTKHID202A-39E Use T4 metal halide G8.5 base lamps 39W only.
7. For JTK-HID202A-70E / LTK-HID202A-70E and HTK-HID202A-70E Use T4 metal halide G8.5 base lamps 70W only.
8. Installation is the reverse procedure.

Note: Metal halide lamps require several minutes of operation to reach full brightness. If power is interrupted lamps will take several minutes to re-strike. This is a normal characteristic of metal halide lamps.