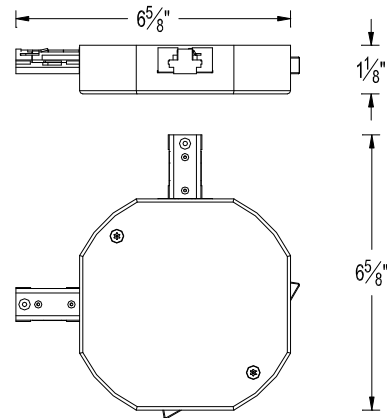


CATALOG NUMBER	TYPE
PROJECT	

TRACK CURRENT LIMITER

DOUBLE LIVE END(LEFT) SERIES



Ordering Matrix

Model	Series	Circuit Qty.	Rating	Finish
THL TLL TJL	LEFT	1 2	1A 2A 5A 7A 10A	BK BN DB PT WT
TJL-J2	LEFT	2		

Ordering Example (model-series -circuit Qty. - rating - finish): TLL-LEFT-2-5A-DB

Product Details

Description: Track current limiter, double live end (left). Designed for using WAC H, L, J&J2 series track. In addition it may fit other manufacturer's original track (consult factory for specific brands).

Materials: Galvanized steel mounting plate, mounted a track connector and one or two circuit breakers. And a plastic cover secure with two pin Torx head screws to the plate.

Systems: **THL-LEFT** is designed for WAC H system track (HT).
TJL-LEFT is designed for WAC J system track (JT).
TLL-LEFT is designed for WAC L system track (LT).
TJL-J2-LEFT is designed for WAC J2 system track (J2T).

Mounting: Mounts directly to a ceiling surface, or a 4" octagonal outlet box. Connects direct to WAC track units. Also suitable for mounting to grid ceiling runners and WAC stem mounted track.

Finish:	THL-LEFT	TLL-LEFT	TJL-LEFT	TJL-J2-LEFT
BK (Black)	•	•	•	•
BN (Brushed Nickel)	•	•	•	
DB (Dark Bronze)	•	•	•	
PT (Platinum)			•	•
WT (White)	•	•	•	•

Listing: UL & CUL Listed. 5 years WAC Lighting product warranty.

Electrical Information

- ? Capacity is 120V, 60Hz rated.
- ? Switch is polarized, and must be installed in accordance with all national and local codes.
- ? Wire terminals for use with 12 or 14 AWG solid copper wires. Use minimum 90°C supply wires.
- ? Circuit breaker can limit the amount of electrical load that can be placed on the circuit. Circuit breaker also can be used as standard ON/OFF switch.
- ? Rating:
 - 1A** - 1 Amp
 - 2A** - 2.5 Amp
 - 5A** - 5 Amp
 - 7A** - 7.5 Amp
 - 10A** - 10 Amp
- ? **Short Circuit Current Rating (AIC): 1kA**