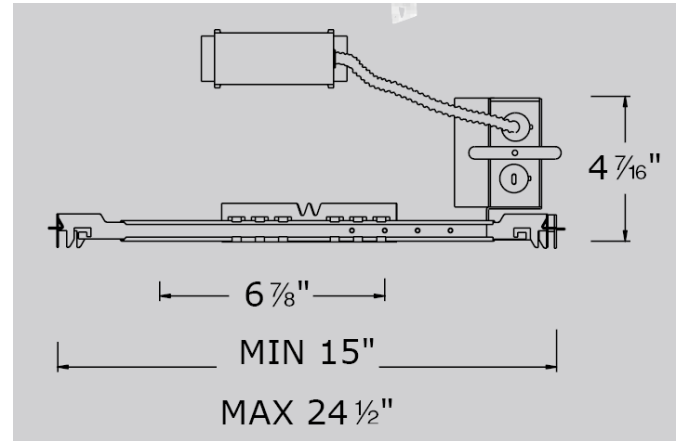


CATALOG NUMBER	TYPE
PROJECT	

LINE VOLTAGE CFL 6" DOWNLIGHT

MODEL R6HF-226Q



Ordering Matrix	
Model	Trim
<div style="border: 1px solid black; width: 150px; height: 30px; margin: 0 auto;"></div>	<div style="border: 1px solid black; width: 200px; height: 30px; margin: 0 auto;"></div>
R6HF-226Q	<i>see page two for selection</i>

Ordering Example (*model + trim*): R6HF-226Q + trim number

Product Details	
Description:	Line voltage CFL Non-IC-rated new construction downlight. Horizontal lamp reflectors provide high efficiency 60' coverage pattern for applications requiring higher footcandle levels. Designed for use in installations where insulation will not be present.
Materials:	Frame and junction box are 20 gauge galvanized steel. Electrical component is an electronic ballast.
J-Box:	Seven knockouts and four integral Romex® wiring connectors provided for ease of installation. Rated for branch wiring.
Lamping:	Uses 2 x 26w Quad 4-pin CFL lamps. Lamps are sold separately.
Ratings:	Non-IC rated. Insulation must be kept at least 3 inches away from the housing. U.L. listed.
Mounting:	Supplied with hanger bars, with a maximum adjustable length of 24" to accommodate various joist and grid sizes. Hanger bars have nailers for wood joists as well as slots for easy mounting on "T" bars. Accommodates surface thickness of up to 3/4". 6 7/8" cutout hole.

Specification Features
<ul style="list-style-type: none"> Junction box and ballast are accessible from below the ceiling. Spring loaded j-box door for easy access to wiring. "Quick-Ship" item, in stock at our distribution centers for immediate shipment. Hanger bar slots are located on all four sides of the frame. 5 year W.A.C. Lighting product warranty.

CATALOG NUMBER	TYPE
PROJECT	

LINE VOLTAGE CFL 6" DOWNLIGHT

MODEL R6HT

Compatible Trims:			
<p>R6HT-21 □ □ Finish: SBK, SC</p> <p>Lamping: 2 quad 4-pin CFL</p>		<p>R6HT-22 □ □ Finish: BK, WT</p> <p>Lamping: 2 quad 4-pin CFL</p>	
<p>R6HT-24 □ □ Finish: WT</p> <p>Lamping: 2 quad 4-pin CFL</p>		<p>R6HT-23 □ □ Finish: WT</p> <p>Regressed Fresnel Len (acrylic), fully enclosed.</p> <p>U.L. listed for wet locations</p> <p>Lamping: 2 quad 4-pin CFL</p>	

Finish Key:

SBK = Specular Black, SC = Specular Clear, WT = White, BK = Black

Notes: The full catalog number for a complete downlight includes the model numbers for both the trim and the housing. Additional information regarding each individual trim can be viewed on the individual trim spec sheets.