

Important:

- **Read all instructions before installing.**
- **For installation by a qualified electrician.**
- **System is intended for installation in accordance with National Electric Code, and local regulations. Consult with local inspector to assure compliance.**
- **To reduce the risk of fire, electrical shock and injuries to persons, turn off power at main switch before installing or modifying the system.**
- **Retain instructions for future maintenance reference.**
- **UL listed.**
- **ENERGY STAR qualified.**
- **Five (5) years limited product warranty (ballast is warranted for 2 year by its manufacturer).**

Overview:

Remodeling housing, Non IC requires 3" clearance on all sides from any insulation. Certified Air Tight per ASTM E283. Trims ordered separately.

Cut Out:

1. Cut a 4 7/16" hole in the existing ceiling.
2. Pull ceiling wire through the hole.

Wiring:

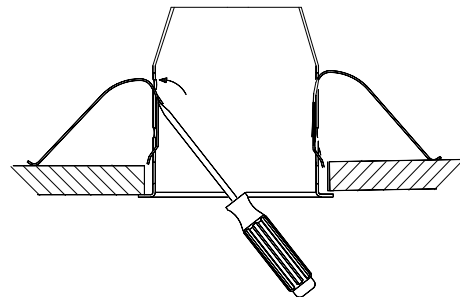
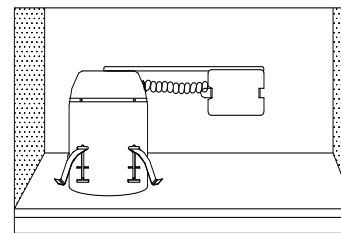
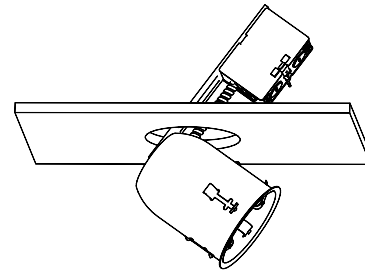
1. Junction box is rated for branch circuit wiring.
2. Open a knock out hole.
3. Remove spring latched junction box door and connect wires: White fixture wire to white building wire, black fixture wire to black (hot) building wire, and green ground wire to bare ground wire, with wire nuts supplied.
4. Replace junction box door.

Mounting:

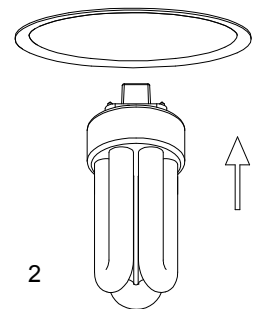
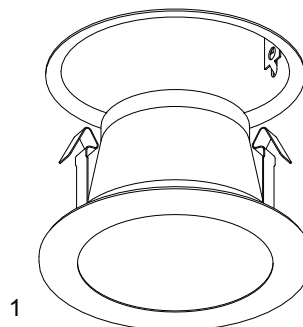
1. Pivot the J box end up through the hole, followed by the can.
2. Hold the rim snug to the ceiling surface.
3. From inside the housing push and pivot the housing clips so they make contact with the top of the ceiling. Use finger or a screwdriver applied to the push point to adjust tension to the spring.
4. Note: 3/4" maximum ceiling thickness.

Trims:

1. To install trim, insert fully into housing. Three flat gripping springs will retain the trim. Open aperture trims to allow the lamp to be installed (Diagram 1 & 2).
2. For closed aperture trims the lamp is installed first, followed by the trim.



Trim & Lamping



Lamp Information

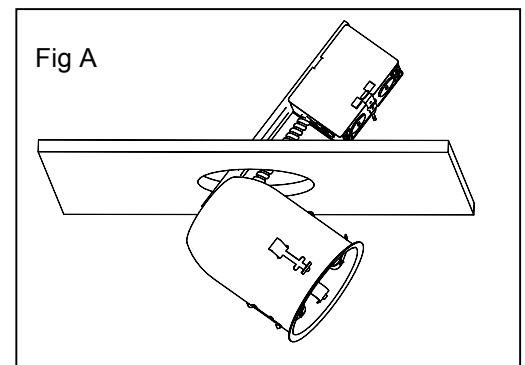
1. Compact Fluorescent lamp:
CFQ13W/G24q/830, 3000K
CFTR13W/GX24q/830, 3000K
2. With 10,000 hours or more rated life

Ballast Information

Rated Lamp Watts: 13W
Voltage: 120V
Input Current: 0.13A
Input Power (ANSI Watts): 15W
Minimum 2 years warranty from the manufacturer of the ballast.

Ballast Replacement

1. NOTE: Ballast should be replaced by a qualified electrician
2. Step 1. Remove trim. From inside the housing pry and pull the housing clips so clips pulled into the housing. Take the housing out from the ceiling. (FIG A)
3. Step 2. Remove inner junction box cover by releasing spring clip.
4. Step 3. Disconnect ballast from input wiring and lampholder leads (leads are terminated with either wire nuts or push release connectors on ballast).
5. Step 4. Remove outer junction box cover with ballast attached by releasing spring clip.
6. Step 5. Replace ballast with a Factory Approved, Energy Star qualified ballast.
7. Step 6. Reinstall ballast by reversing steps 1 through step 4.



5 YEAR LIMITED PRODUCT WARRANTY

WARRANTY AND OBLIGATION: WAC warrants to the first non-dealer purchaser of any of its products that they are to be free from defects in material and workmanship for a period of five (5) years from the date of purchase. If a product is defective, WAC's obligation is expressly limited to repair or replacement, without charge, at WAC's factory after prior written return authorization has been granted. WAC's obligation under this warranty shall not extend beyond the distributor's initial purchase price of the product and accordingly any consequential damages or labor costs arising out of a defect are expressly excluded.

This warranty shall not apply to products that have been altered, improperly installed, mishandled or misused. Notice of a defect in writing must be received by WAC within five (5) years from the date of purchase. Excluded from the five (5) year warranty are all light bulbs, which are warranted to perform satisfactorily to the industry standard burning hours rating, but in no event shall such warranty exceed five (5) years from the date an account purchases product that includes light bulbs from WAC. Also excluded from the five (5) year warranty are the Fluorescent ballasts, which have a warranty from the manufacturer of the ballast and WAC will not accept any responsibility or liability on the ballasts whatsoever. **THERE ARE NO WARRANTIES WHICH EXTEND BEYOND THE DESCRIPTION ON THE FACE HEREOF INCLUDING WARRANTIES OF MERCHANTABILITY AND FITNESS FOR A PARTICULAR PURPOSE.** Contact WAC for information regarding the manufacturer's warranties.