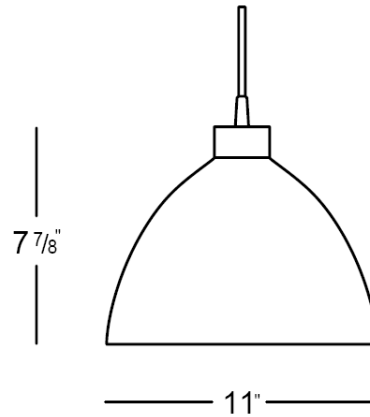




| | |
|-----------------------|-------------|
| CATALOG NUMBER | TYPE |
| PROJECT | |

FREEDOM COLLECTION ENERGY EFFICIENT/INCANDESCENT PENDANTS -CREAMERY



| Ordering Matrix | | | |
|--|--|---|-----------------------|
| Mounting | Socket Set | Shade | Adapter Finish |
| <input type="text"/> | <input type="text"/> | <input type="text"/> | <input type="text"/> |
| Canopy Mount PLD |  Energy Efficient | 408AM 408WT | BK CH DB PT WT |
| Canopy Mount PLD | |  Incandescent | 408AM 408WT |
| FLEXRAIL1 HM1 | BK BN WT BK BN WT BK BN WT | | |
| 120v H HTK Track L LTK J/J2 JTK | | | |

Example (Mounting-Socket Set-Shade-Adapter Finish) : PLD-F3-408AM/DB

| Product Details | |
|---------------------|--|
| Description: | Linear System fixture for a incandescent lamp (F4) or a fluorescent lamp(F3). |
| Materials: | Steel canopy or Polycarbonate track adapter and lamp holder with a Die-cast aluminum cup (F4) or a copper shell (F3). |
| Lamping: | Use Tri-Tube GX24q 26w or 32w or 42w fluorescent lamp for F3 ; Use A or G30 incandescent lamp 100w MAX for F4 ; (not included) |
| Finish: | Electrical plated - Brushed Nickel and Chrome; Painted in Dark Bronze, Platinum, Black and White. |
| Shade: | Light up an intimate setting and create a romantic ambiance with these stunning pendants. Hand blown in cased color frit glass shades. Shade finishes: AM-Amber, WT-White |
| Listing: | UL & CUL Listed. |

| Specification Features |
|--|
| <ul style="list-style-type: none"> ● Complete set should include glass shade and socket set. ● The length of the cord is adjustable to desired pendant height. ● Two color glass provided. ● 5 year product WAC Lighting warranty. |