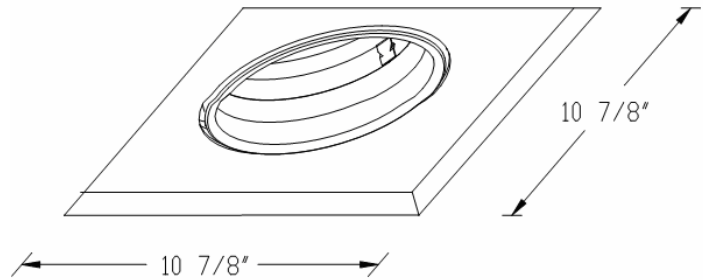
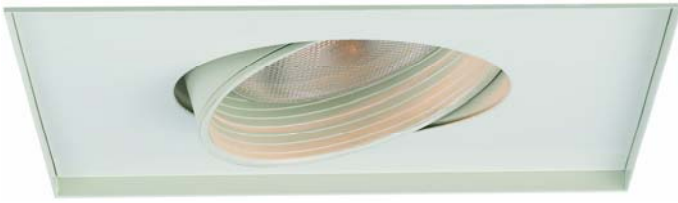


CATALOG NUMBER	TYPE
PROJECT	

MULTIPLE SPOTS **MT-138TL**



Ordering Matrix

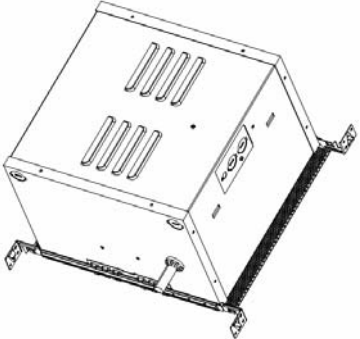
Series	Model Number	Finish
--------	--------------	--------

[]	[]	[]
MT: Multiple Spots	138: 1 X PAR38 Lamp TL : Trimless	WT: White

Ordering Example (series – model number – Finish): MT-138TL-WT

Product Details	
Description:	Gimbal ring style adjustable trim for use with MT-138HS housings. Use in new construction or suspended ceilings.
Materials:	Durable stamped metal construction.
Aiming:	Lamp holder allows the lamp to be tilted to 15° from nadir. All lamps have horizontal aiming to 358°.
Lamping:	120 volt PAR38 lamp, up to 150W max. Lamps are sold separately.
Finish:	Abrasion resistant powder coat painted finish. WT = White baffle with White trim.
Listing:	UL & CUL Listed. Suitable for damp locations.

Specification Features
<ul style="list-style-type: none"> Two torsion springs allow trims to be taken from housing expediently. 5 years WAC Lighting product warranty.

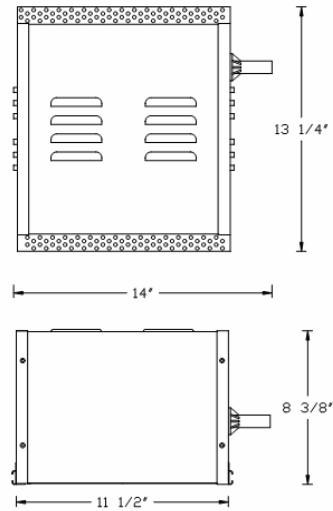
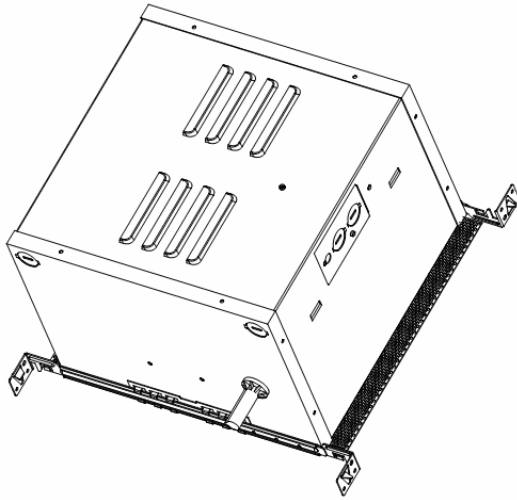
Compatible Housings (Sold Separately)	
MT-138HS Non IC New construction housing Lamp: PAR38, 150W max	

Note: The full catalog number for a complete downlight includes the model numbers for both the trim and the housing.

CATALOG NUMBER	TYPE
PROJECT	

MULTIPLE SPOTS

MT-138HS



Ordering Matrix		
Series	Model Number	Trim
[]	[]	[]
MT: Multiple Spots	138: 1 X PAR38 Lamp HS : Housing	See page two

Ordering Example (series – model number + trim):MT-138HS + MT-138-WT/WT

Product Details	
Description:	Line voltage new construction multiple spots.
Materials:	Housing and halftones are aluminium. Hanger bars are all heavy gauge galvanized steel.
Mounting:	Supplied with hanger bars, adjustable from 12" to 24" to accommodate various joist construction and grid sizes. Accommodates surface thickness of 1/2" to 1". 11 1/8" x 11 1/8" cutout for trimless application. 10 5/8" X 10 5/8" cutout for trim application.
Ratings:	Non-IC rated. Insulation must be kept at least 3" away from the housing.
J-Box:	Seven knockouts and four Non-metallic sheathed connectors provided for ease of installation. Rated for branch and chain wiring.
Lamp:	120 volt PAR38 lamps, up to 150W max Input Voltage: 120V PAR38 lamps are sold separately.
Thermal Protection:	Thermal protection provided to guard against overheating and misuse of insulation over and around fixture.
Listing:	UL & CUL Listed. Suitable for damp locations.

Specification Features
<ul style="list-style-type: none"> • Individual adjustable lighting elements offered with minimal extension below the ceiling plane. • Suitable for multiple downlighting applications. • 5 years WAC Lighting product warranty.

Compatible Trims (Sold Separately)

MT-138 Step baffle

Finish	Trim	Baffle
WT/BK	White	Black
WT/WT	White	White

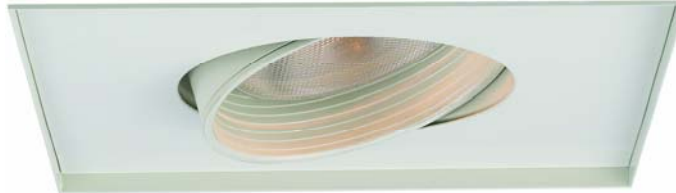
One 150W max PAR38 lamps.



MT-138TL Step baffle

Finish	Trim	Baffle
WT	White	White

One 150W max PAR38 lamps.



Finish Key:

BK-Black, WT-White

Notes:

The full catalog number for a complete multiple spots includes the model numbers for both the trim and the housing. More information regarding each individual trim can be viewed on the individual trim spec sheets.