

## Installation Instructions: CFL Track Fixture

Model: HTK-132E

### Caution:

Read all instructions before installing.

Switch off power before installing or re-lamping.

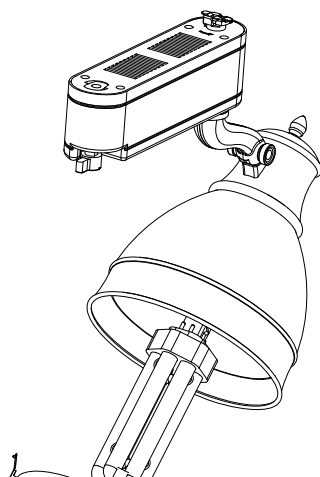
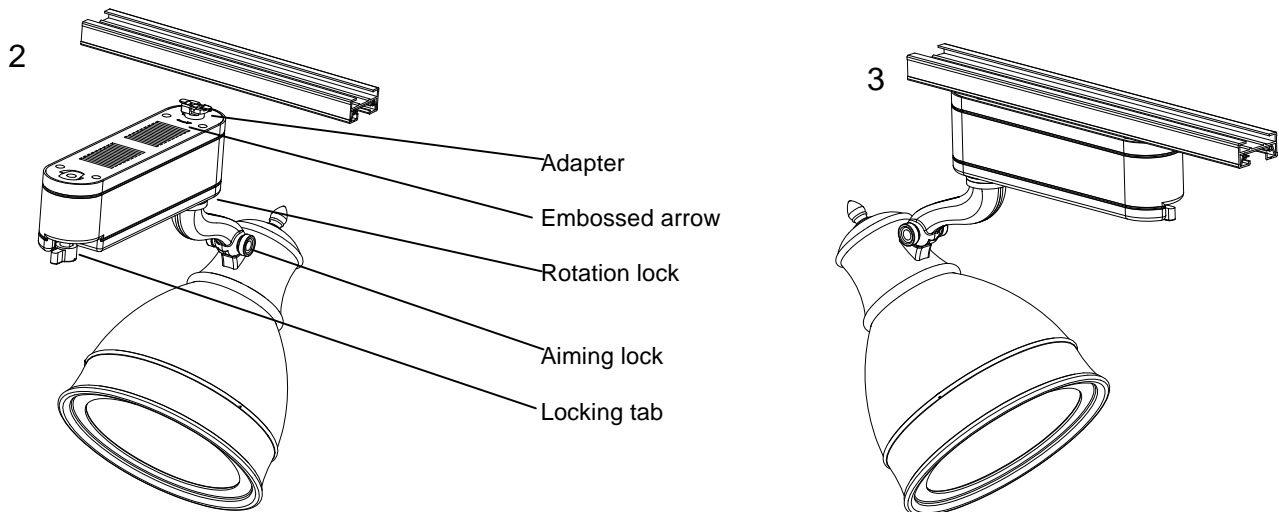
All installation shall be in accordance with NEC and all local codes.

### Overview:

Fixtures are designed for use on "H" series WAC Lighting track. They may also be used on other manufacturer's brand of track (consult factory for compatibility).

### Installing on Track:

1. Note the track has a groove running its length to indicate polarity.
2. Insert adapter into track slot and rotate it 90° the embossed arrow on the adapter should point to the grooved side of the track.
3. Push up and turn the locking tab into the lock position.
4. Removal is the reverse procedure. Track fixtures may be positioned anywhere along the track length.



### Lamping:

1. Turn power off at main switch.
2. Pull out lens cap.
3. Use 4 pin CFTR 26W or 32W.
4. Grasp lamp and push straight into socket.
5. Re-install lens cap.

## Installation Instructions: CFL Track Fixture

Model: LTK-132E

### Caution:

Read all instructions before installing.

Do not attempt to energize anything other than a track light fixture.

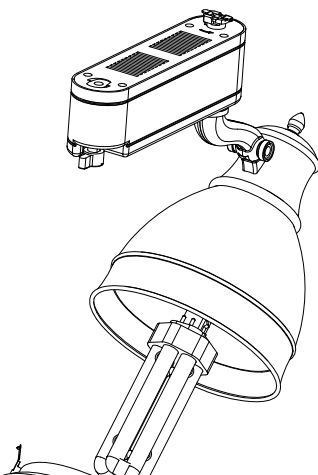
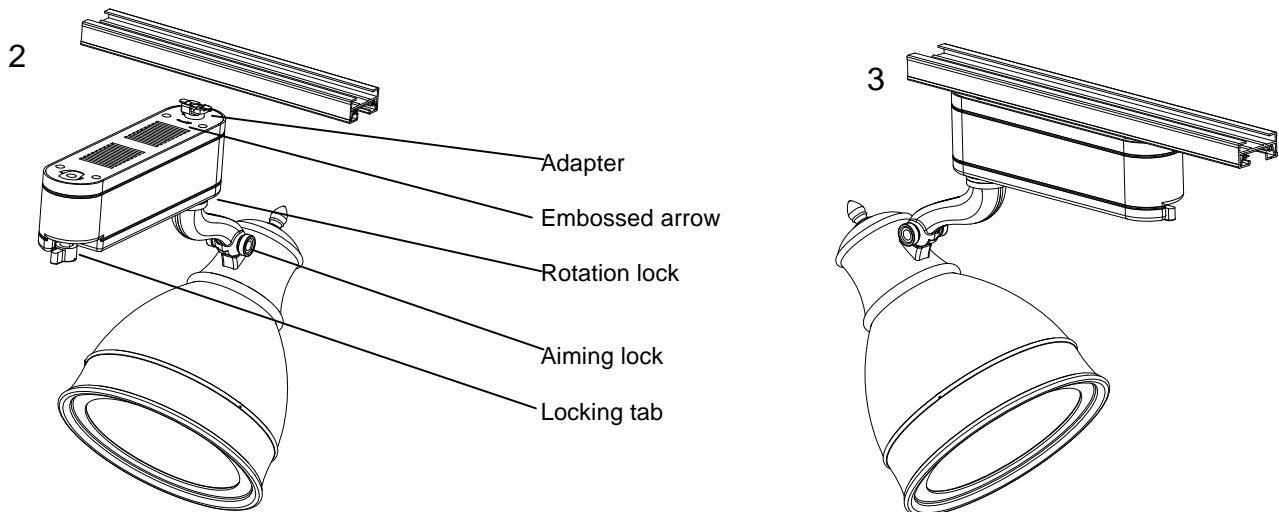
All installation shall be in accordance with NEC and all local codes.

### Overview:

Fixtures are designed for use on "L" series WAC Lighting track. They may also be used on other manufacturer's brand of track (consult factory for compatibility).

### Installing on Track:

1. Note the track has a groove running its length to indicate polarity.
2. Insert adapter into track slot and rotate it 90° the embossed arrow on the adapter should point to the grooved side of the track.
3. Push up and turn the locking tab into the lock position.
4. Removal is the reverse procedure. Track fixtures may be positioned anywhere along the track length.



### Lamping:

1. Turn power off at main switch.
2. Pull out lens cap.
3. Use 4 pin CFTR 26W or 32W.
4. Grasp lamp and push straight into socket.
5. Re-install lens cap.

## Installation Instructions: CFL Track Fixture

Model: JTK-132E

### Caution:

Read all instructions before installing.

Switch off power before installing or re-lamping.

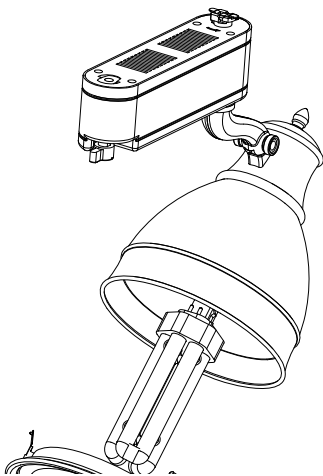
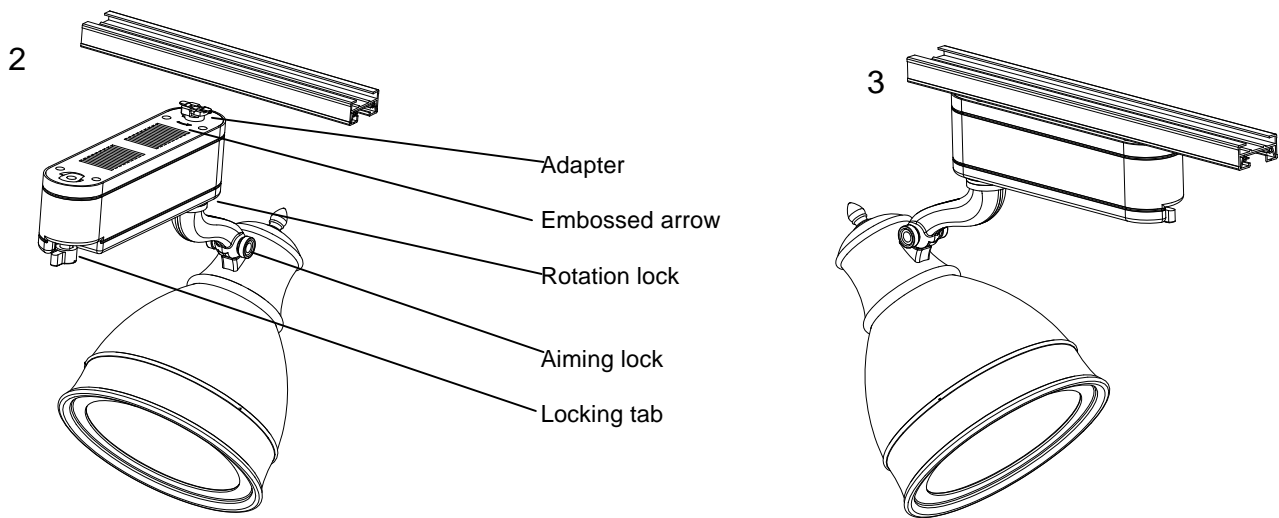
All installation shall be in accordance with NEC and all local codes.

### Overview:

Fixtures are designed for use on "J" and "J2" series WAC Lighting tracks. They may also be used on other manufacturer's brand of track (consult factory for compatibility).

### Installing on Track:

1. Note the track has a groove running its length to indicate polarity.
2. Insert adapter into track slot and rotate it 90° the embossed arrow on the adapter should point to the grooved side of the track.
3. Push up and turn the locking tab into the lock position.
4. Removal is the reverse procedure. Track fixtures may be positioned anywhere along the track length.



### Lamping:

1. Turn power off at main switch.
2. Pull out lens cap.
3. Use 4 pin CFTR 26W or 32W.
4. Grasp lamp and push straight into socket.
5. Re-install lens cap.