

INSTALLATION INSTRUCTION

Solorail™ - Cable Power Feed

LM-PCS48, LM-PCS96

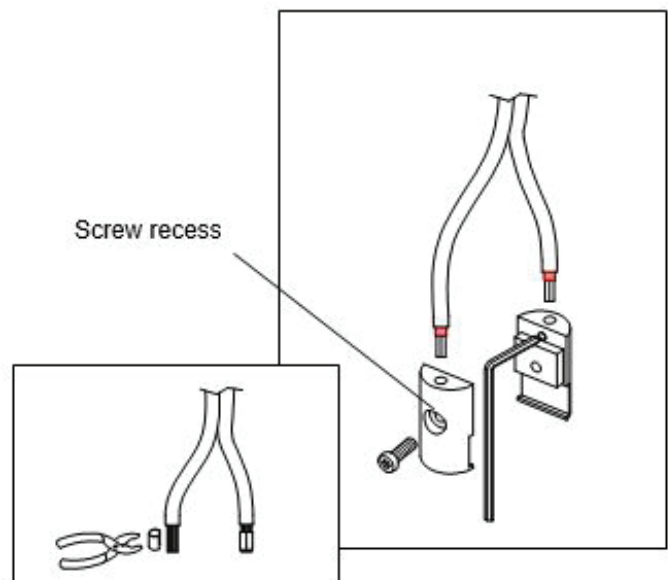
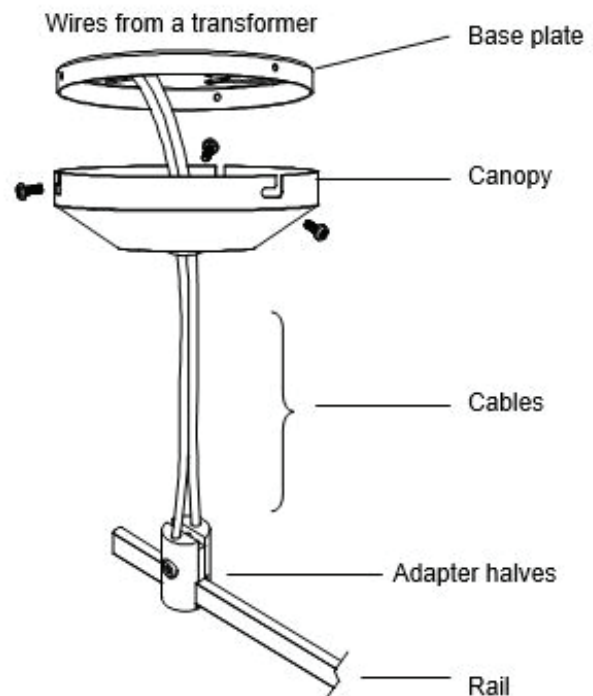
WAC LIGHTING
Responsible Lighting®

CAUTION:

Always turn off power at main switch prior to installation to prevent electrical shock.
Have wiring checked by a qualified electrician.

OVERVIEW:

1. The power feed canopy is designed to fit over a standard 4" junction box, or may be fed from conduit, or surface wiring. Power is supplied from a remote transformer.
2. On the power feed canopy, loosen the three canopy screws and separate the canopy from the base plate.
3. Remove a knock out from the base plate.
4. Pull several inches of wire through the knock out hole.
5. Attach the base plate to the junction box using two screws from the box (or use mounting screws supplied for direct mounting to a surface).
6. Raise the canopy to the base plate.
7. Connect to the two wires from the transformer to the canopy wires with wire nuts (supplied).
8. Fit the canopy to the base plate, and tighten the three screws loosened earlier.
9. Loosen the setscrew on the rail adapter so that the two pieces will slip over the rail.
10. Hold the two adapter halves against the rail while tightening the setscrew. It is important that the adapters halves seat firmly against the rail.
11. After the first 20 minutes of operation switch off system and check for abnormal heat. Hot spots are caused by poor connection, correct by re-tightening.



ADJUSTING WIRE LENGTH:

1. Remove the setscrew holding the adapter halves, and separate the halves.
2. Loosen the small setscrews located on the inside surface of each half, using a 1/16" Allen wrench.
3. Withdraw wires and trim to desired length. Strip 3/8" insulation from wire ends.
4. Attach a brass crimp fitting to the end of each wire.
5. Reassembly is the reverse procedure.
6. The rubber insulator should be positioned so it does not protrude into the rail space.
7. **IMPORTANT:** Make sure the clear rubber washer remains in place in the recess of the setscrew used to secure adapter halves.

Retain instructions for future reference.

WAC Lighting
www.waclighting.com
Phone (800) 526.2588 • Fax (800) 526.2585

Headquarters/Eastern Distribution Center
44 Harbor Park Drive • Port Washington, NY 11050
Phone (516) 515.5000 • Fax (516) 515.5050

Western Distribution Center
1750 Archibald Ave • Ontario, CA 91761
Phone (800) 526.2588 • Fax (800) 526.2585