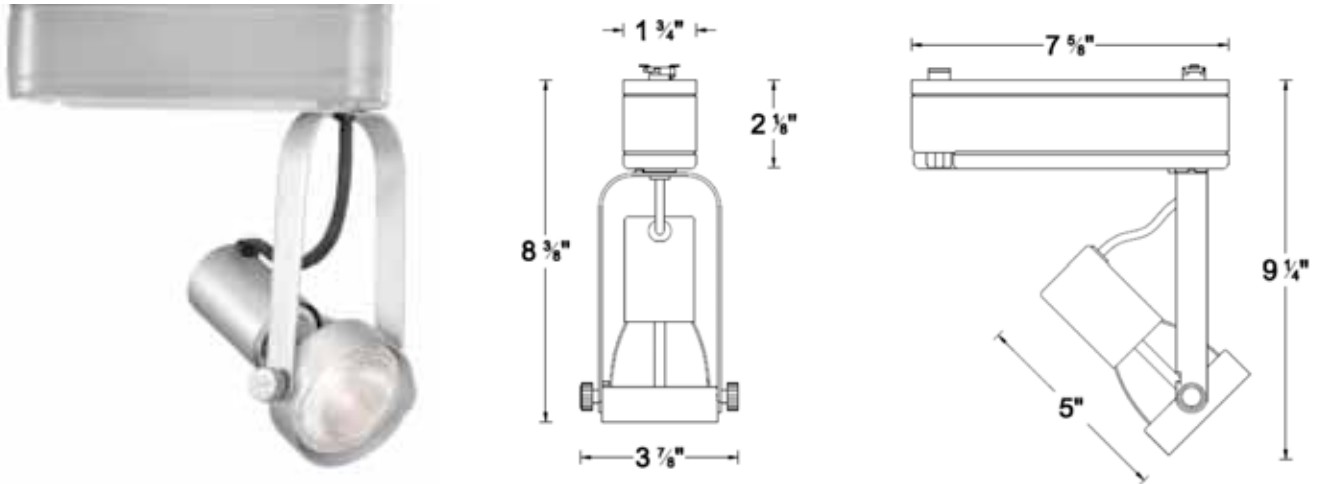


CATALOG NUMBER	TYPE
PROJECT	

METAL HALIDE TRACK LUMINAIRES

SERIES 763-39E



Ordering Matrix						
Model			Series	Finish		
[]			[]	[]		
HTK	JTK	LTK	763-39E	BK	PT	WT

Ordering Example (*model – series – finish*): HTK-763-39E-WT

Product Details	
Description:	Metal Halide track fixture.
Materials:	Formed metal with polycarbonate track adaptor and aiming screws in black or white to match track finish. Medium base 250V porcelain socket with nickel-plated copper screw shell.
Aiming:	350° horizontal rotation and 90° vertical aiming. Two aiming screws (one on each side of fixture) lock fixture aiming angle.
Lamping:	Uses medium base CDM PAR20 lamps, 39W max.
Systems:	HTK is used with the W.A.C. H system track (HT). JTK is used with the W.A.C. J system and J2 system track (JT & J2-T). LTK is used with the W.A.C. L system track (LT)
Finish:	Abrasion resistant power coat paint finish. Available in Black (BK), White (WT), Platinum (PT)
Listing:	UL & CUL Listed.

Ballasts	
<ul style="list-style-type: none"> Pulse start electronic ballast. Operates more efficiently and consume up to 20% less energy than magnetic ballasts. Electronic ballasts increase lamp life, while reducing visual flicker. 	
ANSI#	M-130
Operating Amps	0.37A
Total input Power	44W
Power Factor	>95%
Sound Rating	A
Harmonic Distortion	<10%
<ul style="list-style-type: none"> 5 year WAC Lighting product warranty. 	