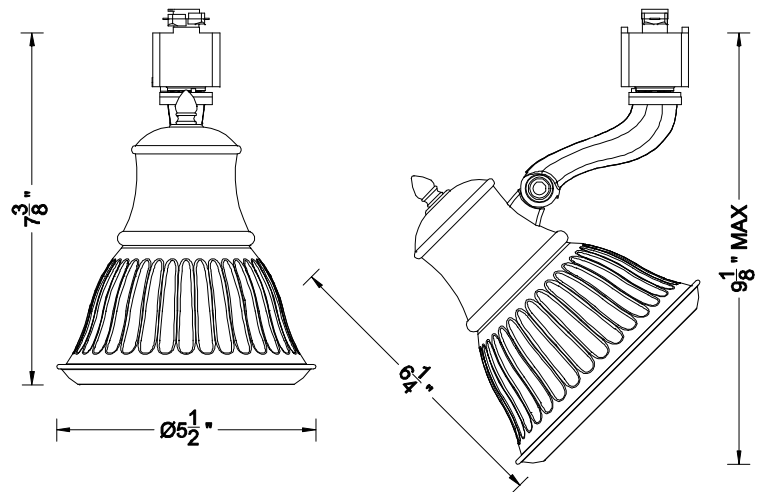


CATALOG NUMBER	TYPE
PROJECT	

LINE VOLTAGE TRACK HEAD **SERIES 794**



Ordering Matrix		
Model	Series	Finish
<input style="width: 100px; height: 20px;" type="text"/>	<input style="width: 100px; height: 20px;" type="text"/>	<input style="width: 100px; height: 20px;" type="text"/>
HTK JTK LTK	794	AB

Ordering Example (model – series – finish): HTK-794-AB

Product Details	
Description:	Line voltage track head using PAR30 lamps. Designed for use with WAC H, L, J & J2 series track. In addition it may fit other manufacturer's track (consult factory for specific brands).
Materials:	Die-cast aluminum alloy lamp holder housing, corrosion resistant metal shade and polycarbonate track adaptor. Medium base 250V ceramic socket with nickel-plated copper screw shell.
Aiming:	360° horizontal rotation and 90° vertical aiming.
Lamping:	Uses medium base PAR30 lamps, 75W max. 120 volt.
Systems:	HTK is used with the WAC H system track (HT). JTK is used with the WAC J system and J2 system track (JT & J2-T). LTK is used with the WAC L system track (LT).
Finish:	Electroplated Antique Bronze (AB).
Listing:	UL & CUL Listed. 5 year WAC Lighting product warranty.

Specification Features
<ul style="list-style-type: none"> • Arm mounted track head providing maximum installation convenience with its ability to work on four different track systems. • The 794 series track head utilizes the second circuit on the J2 style track with the use of the JClip (ordered separately). • Hand finished Antique Bronze coordinates with today's faucets, fixtures, cabinet hardware and furniture. • Machined solid brass decorative hardware adds aesthetically appealing detail to the fixture. • Decorative traditional design complements historical architectural styles while meeting the design needs of today. • Track adapter are Dark Bronze to match WAC bronze 120V Track.