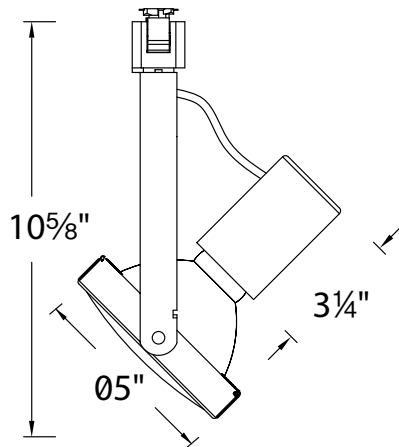


Model: 765

120V Track Line Voltage Luminaire

WAC LIGHTING

Responsible Lighting®



Fixture Type:

Catalog Number:

Project: _____

Location: _____

PRODUCT DESCRIPTION

Line voltage luminaire offered in black, brushed nickel or white finishes and can be used with various lamp options.

FEATURES

- Available with LED lamping option
- 350° horizontal rotation and 90° vertical tilt
- Open-back design for an industrial look
- Dimmable
- 5 year WAC product warranty

SPECIFICATIONS

Construction: Formed metal with polycarbonate track adapter. Medium base 250V porcelain socket with nickel-plated copper screw shell.

Finish: Powder coat paint. Available in Black (BK), Brushed Nickel (BN), and White (WT).

Lamp: Order lamps separately. Uses PAR38, 50W max lamp. LED lamp options include LED BR40 or LED PAR38.

Dimming: Dim to 5% with Triac dimmer. LED lamp dims to 10% with electronic low voltage (ELV) dimmer.

Standards: ETL & cETL Listed. UL & CUL Listed.

ORDER NUMBER

System	Model	Lamp	Power	Finish
LTK	L Track	PAR38	150W max	BK Black
HTK	H Track	765 LED BR40	17W	BN Brushed Nickel
JTK	J/J2 Track	LED PAR38	17.8W	WT White

- -

Example: **HTK-765-WT**

FINISHES



LED LAMPS

		Finish
PAR38LED-17N30	PAR38	BK Black
		WT White
BR40LED-15N27	BR40	WT White

WAC Lighting

www.waclighting.com

Phone (800) 526.2588 • Fax (800) 526.2585

Headquarters/Eastern Distribution Center

44 Harbor Park Drive • Port Washington, NY 11050

Phone (516) 515.5000 • Fax (516) 515.5050

Western Distribution Center

1750 Archibald Avenue • Ontario, CA 91760

Phone (800) 526.2588 • Fax (800) 526.2585