

Installation Instructions: Line Volt Halogen Track Fixture – LARC Series Model: JTK-331

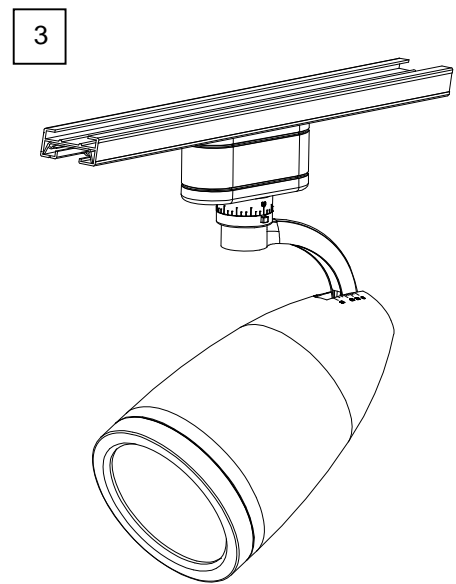
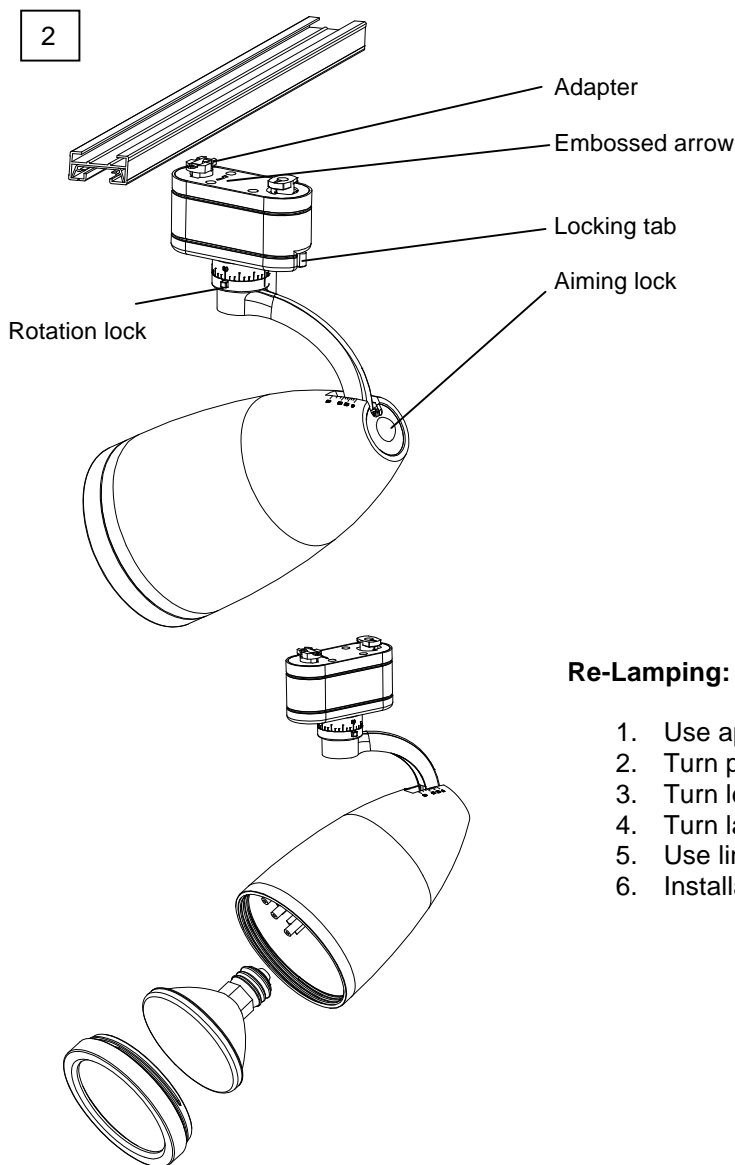
CAUTION:

For Use with WAC J" & "J2" track systems. Fixture may also be used on other manufacturers brand of track (consult factory for compatibility).

CAUTION – To reduce the risk of a burn during relamping, remove from the track before relamping.
Read all instructions before installing.

Installing on Track:

1. Note the track has a groove running its length to indicate polarity.
2. Insert adapter into track slot and rotate it 90° the embossed arrow on the adapter should point to the grooved side of the track.
3. Push up and turn the locking tab into the lock position.
4. Removal is the reverse procedure. Tracks may be positioned anywhere along the track length.
5. Vertical and horizontal aiming have push lock buttons to secure settings.



Re-Lamping:

1. Use appropriate protection when handling hot lamps.
2. Turn power off at main switch.
3. Turn lens cap counterclockwise to remove.
4. Turn lamp counterclockwise to remove.
5. Use line volt Par 30 (short neck) lamp 75W maximum.
6. Installation is the reverse procedure.