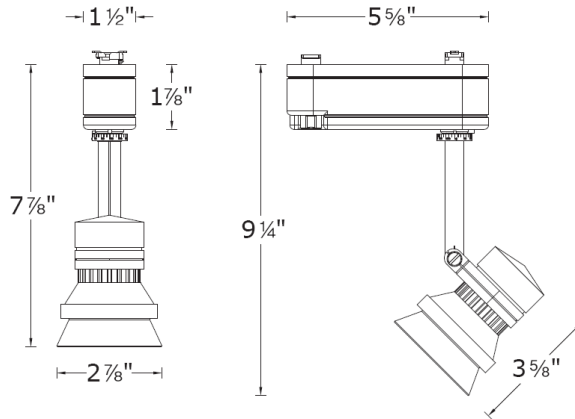


CATALOG NUMBER	TYPE
PROJECT	

PRECISION SPOT – LOW VOLTAGE TRACK HEAD

SERIES 163L



Ordering Matrix

Model	Finish	Accessories
<input type="text"/>	<input type="text"/>	<input type="text"/>
JHT-163L	BK WT BK/PT	See accessories table

Ordering Example (model – finish + accessories): JHT-163L-WT + LENS-16-DIC-AMB

Product Details

- Description:** Low voltage track head using MR16 lamps. Designed for use with WAC and W2 J & J2 series track. In addition, it may fit other manufacturer's original track (consult factory for specific brands).
- Materials:** Die-cast aluminum fixture, cap ring and check ring. Clear 3.20 mm tempered glass lens. Heavy gauge aiming screws painted to match fixture finish.
- Transformer:** Electronic transformer with auto reset, soft start, and short circuit protection features.
- Socket:** Ceramic bi-pin socket with silver-plated contacts and heat reducing contact plate.
- Aiming:** 350° horizontal rotation and 90° vertical aiming with built-in degree scales on fixture. Two aiming screws (one on each side of fixture) allow for locking fixture aiming angle.
- Lamping:** Re-lamps from the front using MR16 lamps, 75W maximum.
- Finish:** Abrasion resistant powder coat paint finish. Available in Black (BLK), White (WHT), Black on Platinum (BK/PT).
- Listing:** UL & CUL Listed. Patent Pending.

Specification Features

- Specification grade die-cast aluminum fixture with integral aiming indicators to assure precise directional adjustment.
- Threaded easy turn check ring within lens cap allows for multiple captive accessories.
- Electronic transformer soft start feature is designed to protect lamps from abrupt inrush current. The solid state circuitry promotes cool and quiet operation.
- The 163L series track head utilizes the second circuit on the J2 style track with the use of the JClip.
- Accommodates one lens and one accessory.
- 5 year product warranty.

Track Adaptor Information

Standard Adaptor
For J style
W2 & W.A.C track



J2 Adaptor
For J2 style
W2 & W.A.C track



JCLIP
Ordered when using track
heads on 2nd circuit of J2



Compatible Accessories

LENS-16-DIC-COLOR
Dichroic Lenses

LENS-16-COLOR
Color Lenses

AMB = Amber ; BLU = Blue ; GRN = Green
RED = Red ; YEL = Yellow



LENS-16-HCL
Honeycomb Louver



LENS-16-CRL
Cross Louver



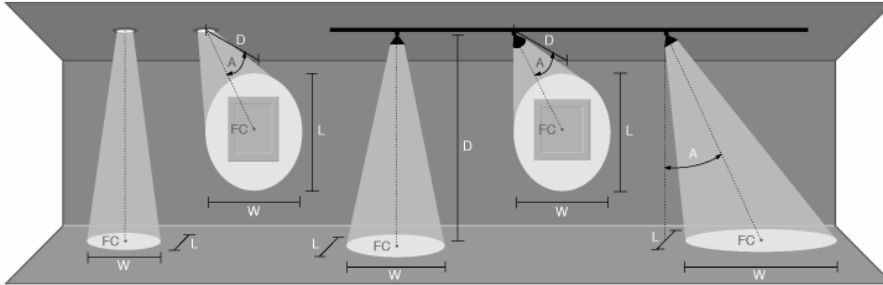
HOOD-050-BK
Light Deflecting Hood
for wall wash application



LENS-16-UVF
UV Filter

LENS-16-FR
Frosted Lens
LENS-16-SPR
Spread Lens
LENS-16-BEL
Beam Elongating Lens

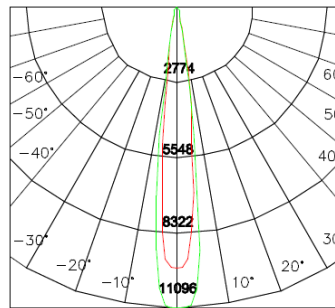
Photometry



D Distance To Fixture From Wall Or Floor
FC Initial Footcandle Level At Center Of Beam
L Beam Length (where candlepower drops to 50% of maximum)
W Beam Width (where candlepower drops to 50% of maximum)

50W MR16 N (15 DEG)				
0° Aiming Angle				
D(ft)	FC	W	L	
6	283	1.6	1.6	
9	126	2.4	2.4	
12	71	3.2	3.2	
15	45	3.9	3.9	
45° Aiming Angle				
D(ft)	FC	W	L	
6	100	3.2	2.2	
9	45	4.8	3.4	
12	25	6.4	4.5	
15	16	8.0	5.6	

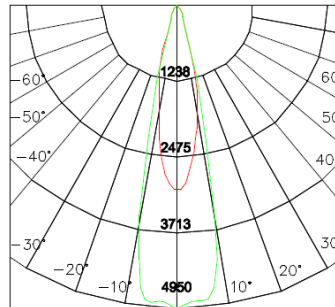
75W MR16 N (15 DEG)				
0° Aiming Angle				
D(ft)	FC	W	L	
6	333	1.6	1.6	
9	148	2.4	2.4	
12	83	3.2	3.2	
15	53	3.9	3.9	
45° Aiming Angle				
D(ft)	FC	W	L	
6	118	3.2	2.2	
9	52	4.8	3.4	
12	29	6.4	4.5	
15	19	8.0	5.6	



— 50W CBCP 10188
— 75W CBCP 11096

50W MR16 F (25 DEG)				
0° Aiming Angle				
D(ft)	FC	W	L	
6	94	2.7	2.7	
9	42	4.0	4.0	
12	24	5.3	5.3	
15	15	6.7	6.7	
45° Aiming Angle				
D(ft)	FC	W	L	
6	33	5.6	3.8	
9	15	8.4	5.6	
12	8	11.2	7.5	
15	5	14.0	9.4	

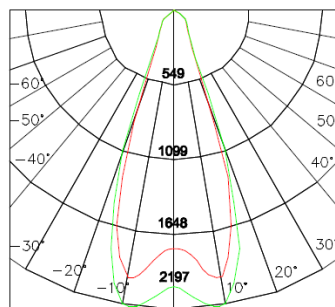
75W MR16 F (25 DEG)				
0° Aiming Angle				
D(ft)	FC	W	L	
6	136	2.7	2.7	
9	60	4.0	4.0	
12	34	5.3	5.3	
15	22	6.7	6.7	
45° Aiming Angle				
D(ft)	FC	W	L	
6	48	5.6	3.8	
9	21	8.4	5.6	
12	12	11.2	7.5	
15	8	14.0	9.4	



— 50W CBCP 3384
— 75W CBCP 4950

50W MR16 W (40 DEG)				
0° Aiming Angle				
D(ft)	FC	W	L	
6	51	4.4	4.4	
9	23	6.6	6.6	
12	13	8.7	8.7	
15	8	10.9	10.9	
45° Aiming Angle				
D(ft)	FC	W	L	
6	18	10.1	6.2	
9	8	15.1	9.3	
12	5	20.1	12.4	
15	3	25.2	15.4	

75W MR16 W (40 DEG)				
0° Aiming Angle				
D(ft)	FC	W	L	
6	58	4.4	4.4	
9	26	6.6	6.6	
12	15	8.7	8.7	
15	9	10.9	10.9	
45° Aiming Angle				
D(ft)	FC	W	L	
6	21	10.1	6.2	
9	9	15.1	9.3	
12	5	20.1	12.4	
15	3	25.2	15.4	



— 50W CBCP 1836
— 75W CBCP 2088