

Installation Instructions: Track Mount- Metal Halide Wall Wash Fixture

Model: HTK-764-70E & HTK-764-39E

CAUTION:

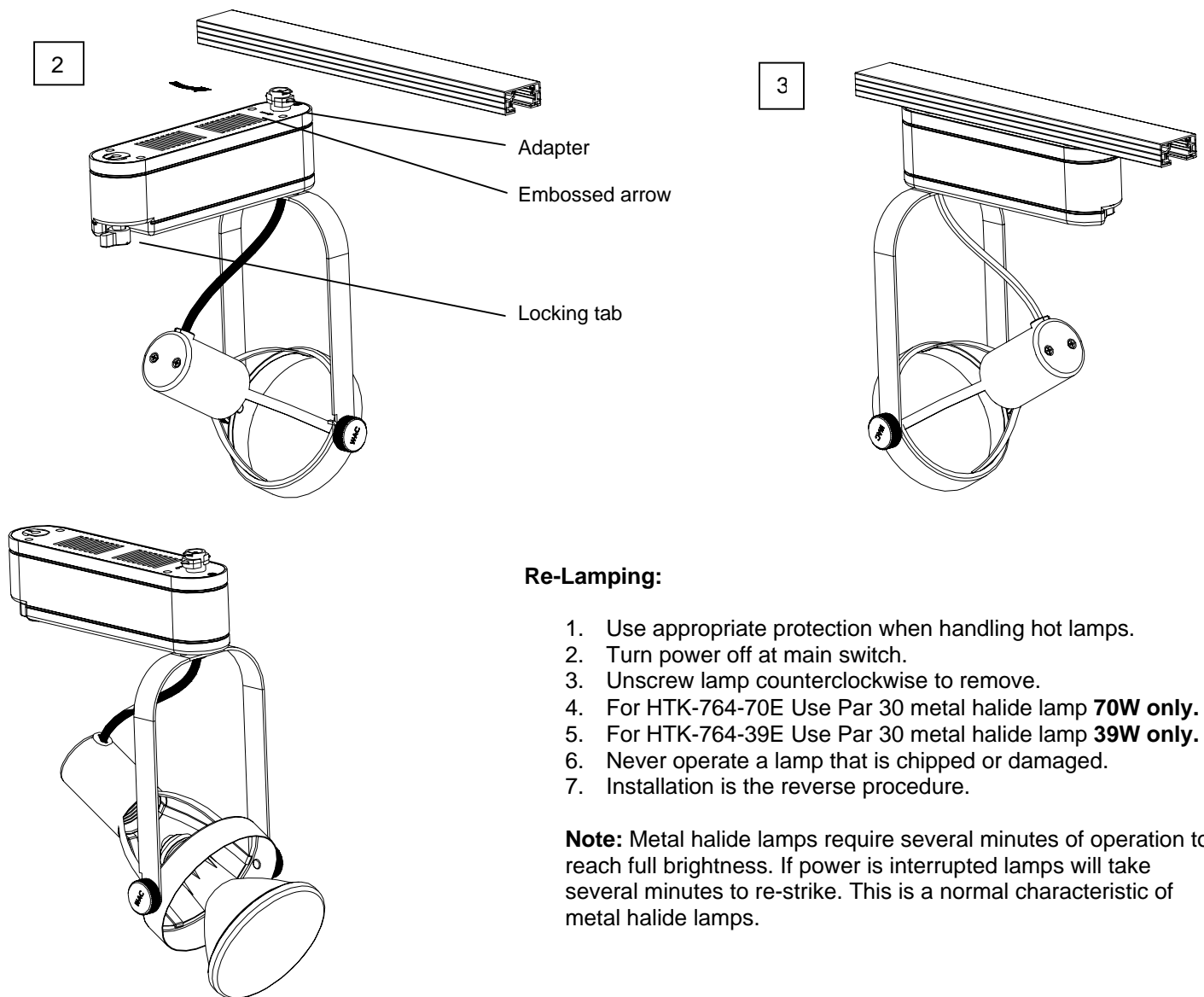
For Use with WAC "H" track systems. Fixture may also be used on other manufacturers brand of track (consult factory for compatibility).

CAUTION – To reduce the risk of a burn during relamping, remove from the track before relamping.

Read all instructions before installing.

Installing on Track:

1. Note the track has a groove running it's length to indicate polarity.
2. Insert adapter into track slot and rotate it 90° The embossed arrow on the adapter should point to the grooved side of the track.
3. Push up and turn the locking tab into the lock position.
4. Removal is the reverse procedure. Tracks may be positioned anywhere along the track length.



Re-Lamping:

1. Use appropriate protection when handling hot lamps.
2. Turn power off at main switch.
3. Unscrew lamp counterclockwise to remove.
4. For HTK-764-70E Use Par 30 metal halide lamp **70W only**.
5. For HTK-764-39E Use Par 30 metal halide lamp **39W only**.
6. Never operate a lamp that is chipped or damaged.
7. Installation is the reverse procedure.

Note: Metal halide lamps require several minutes of operation to reach full brightness. If power is interrupted lamps will take several minutes to re-strike. This is a normal characteristic of metal halide lamps.



W • A • C | LIGHTING

www.waclighting.com

615 South Street, Garden City, NY 11530
Tel: (516) 515-5000 Fax: (516) 516-5050

168 Brea Canyon Road, City of Industry, CA 91789
Tel: (909) 468-1848 Fax: (909) 468-9958

06/18/07 Rev 1

Installation Instructions: Track Mount- Metal Halide Wall Wash Fixture

Model: LTK-764-70E & LTK-764-39E

CAUTION:

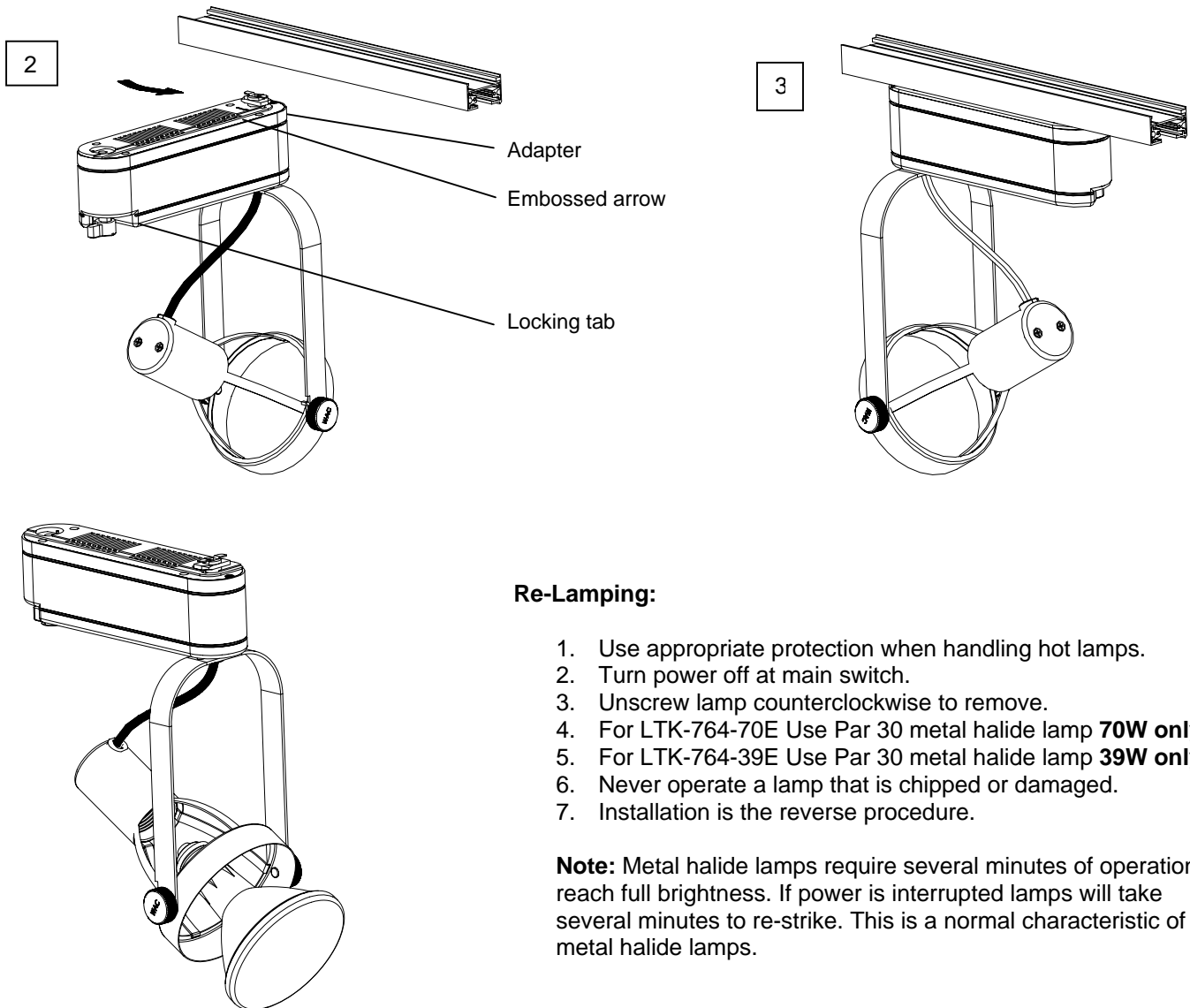
For Use with WAC "L" track systems. Fixture may also be used on other manufacturers brand of track (consult factory for compatibility).

CAUTION – To reduce the risk of a burn during relamping, remove from the track before relamping.

Read all instructions before installing.

Installing Fixtures:

1. Note the track has a ridge running it's length to indicate polarity.
 2. The embossed arrow on the adapter should point to the ridged side of the track..
 3. Insert adapter into track slot and rotate it 90 °.
 4. Push up and turn the locking tab into the lock position.
 5. Removal is the reverse procedure. Tracks heads may be positioned anywhere along the track length.
- Note:** "L" series track accepts only W.A.C. track heads.



Re-Lamping:

1. Use appropriate protection when handling hot lamps.
2. Turn power off at main switch.
3. Unscrew lamp counterclockwise to remove.
4. For LTK-764-70E Use Par 30 metal halide lamp **70W only**.
5. For LTK-764-39E Use Par 30 metal halide lamp **39W only**.
6. Never operate a lamp that is chipped or damaged.
7. Installation is the reverse procedure.

Note: Metal halide lamps require several minutes of operation to reach full brightness. If power is interrupted lamps will take several minutes to re-strike. This is a normal characteristic of metal halide lamps.



Installation Instructions: Track Mount- Metal Halide Wall Wash Fixture

Model: JTK-764-70E & JTK-764-39E

CAUTION:

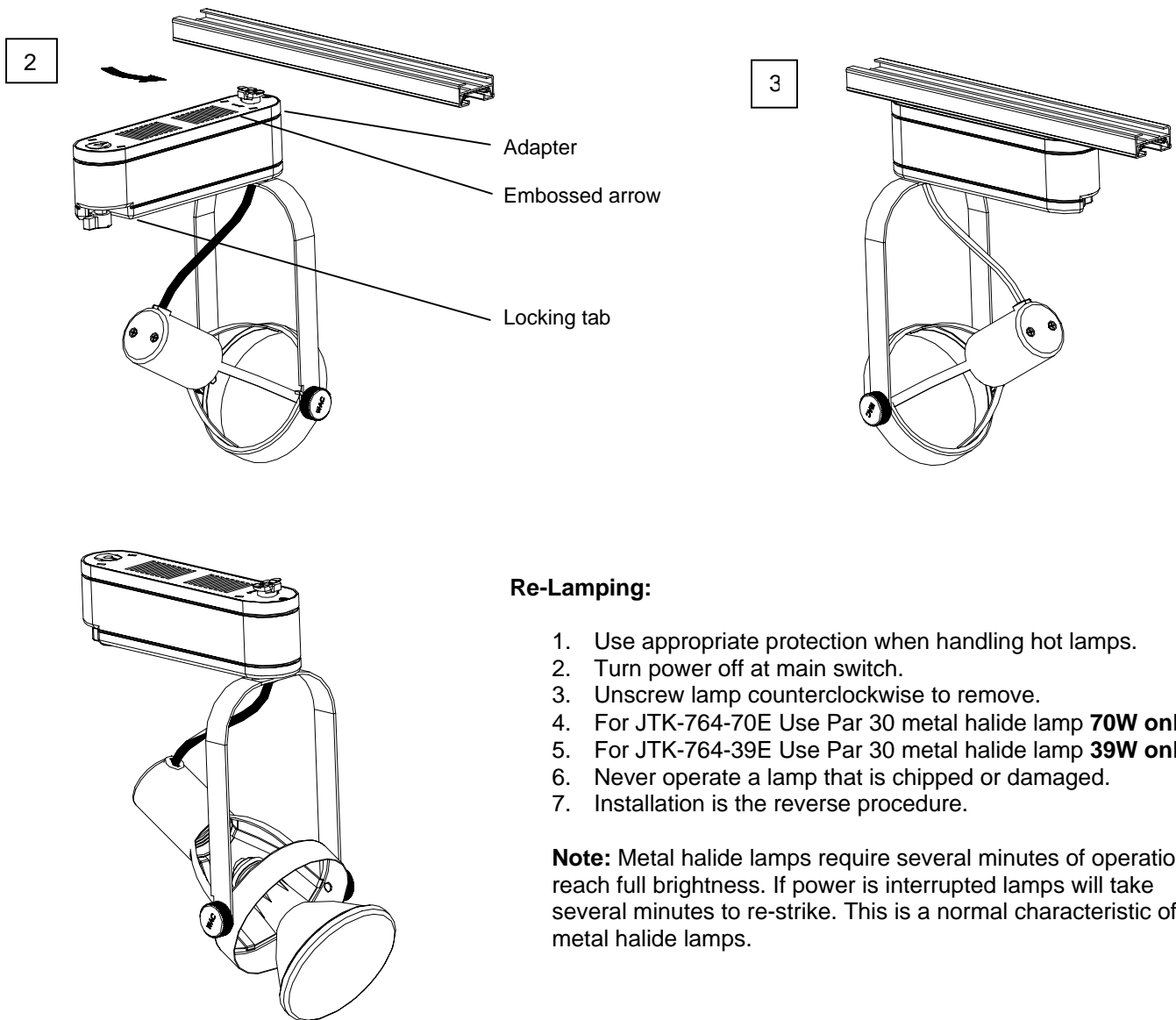
For Use with WAC J" & "J2" track systems. Fixture may also be used on other manufacturers brand of track (consult factory for compatibility).

CAUTION – To reduce the risk of a burn during relamping, remove from the track before relamping.

Read all instructions before installing.

Installing on Track:

1. Note the track has a groove running it's length to indicate polarity.
2. Insert adapter into track slot and rotate it 90° The embossed arrow on the adapter should point to the grooved side of the track.
3. Push up and turn the locking tab into the lock position.
4. Removal is the reverse procedure. Tracks may be positioned anywhere along the track length.



Re-Lamping:

1. Use appropriate protection when handling hot lamps.
2. Turn power off at main switch.
3. Unscrew lamp counterclockwise to remove.
4. For JTK-764-70E Use Par 30 metal halide lamp **70W only**.
5. For JTK-764-39E Use Par 30 metal halide lamp **39W only**.
6. Never operate a lamp that is chipped or damaged.
7. Installation is the reverse procedure.

Note: Metal halide lamps require several minutes of operation to reach full brightness. If power is interrupted lamps will take several minutes to re-strike. This is a normal characteristic of metal halide lamps.

