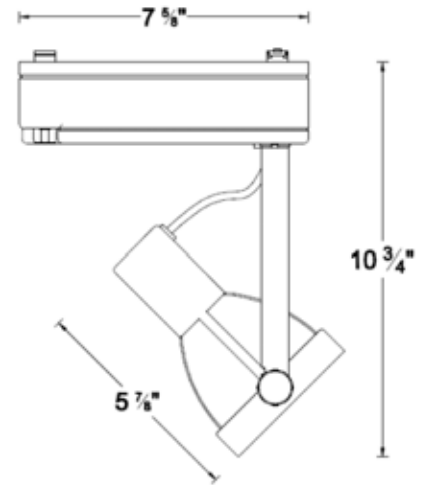
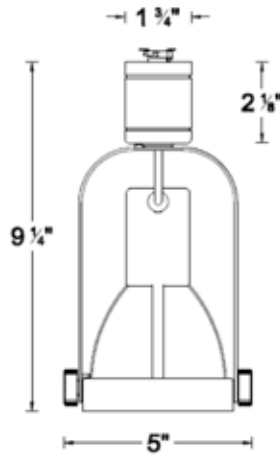


<b>CATALOG NUMBER</b>	<b>TYPE</b>
<b>PROJECT</b>	

**METAL HALIDE TRACK LUMINAIRES**

**SERIES 764-39E / 764-70E**



**Ordering Matrix**

Model			Series	Finish		
<input type="text"/>			<input type="text"/>	<input type="text"/>		
HTK	JTK	LTK	764-39E	BK	PT	WT
HTK	JTK	LTK	764-70E	BK	PT	WT

Ordering Example (model – series – finish): HTK-767-39E-PT

**Product Details**

<b>Description:</b>	Metal Halide track fixture.
<b>Materials:</b>	Formed metal with polycarbonate track adaptor and aiming screws in black or white to match track finish. Medium base 250V porcelain socket with nickel-plated copper screw shell.
<b>Aiming:</b>	350° horizontal rotation and 90° vertical aiming. Two aiming screws (one on each side of fixture) lock fixture aiming angle.
<b>Lamping:</b>	Uses medium base CDM PAR30 lamps.
<b>Systems:</b>	HTK is used with the WAC H system track (HT). JTK is used with the WAC J system and J2 system track (JT & J2-T). LTK is used with the WAC L system track (LT)
<b>Finish:</b>	Abrasion resistant power coat paint finish. Available in Black (BK), White (WT), Platinum (PT)
<b>Listing:</b>	UL & CUL Listed. 5 year WAC Lighting product warranty.

**Ballasts**

Pulse start electronic ballast. Operates more efficiently and consume up to 20% less energy than magnetic ballasts. Electronic ballasts increase lamp life, while reducing visual flicker.

**39W Ballast**

ANSI#	M-130
Operating Amps	0.37A
Total input Power	44W
Power Factor	>95%
Sound Rating	A
Harmonic Distortion	<10%

**70W Ballast**

ANSI#	M-130
Operating Amps	0.37A
Total input Power	44W
Power Factor	>95%
Sound Rating	A
Harmonic Distortion	<10%