

# INSTRUCTIONS: Line Voltage Track Fixture

## Model: HTK-797, HTK-798, HTK-799

### Caution:

Read all instructions before installing.

Switch off power before installing or re-lamping.

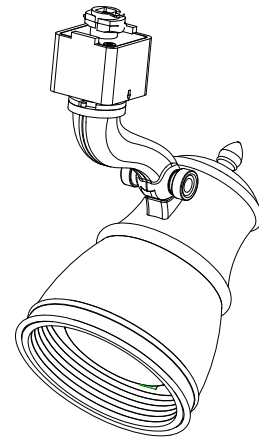
All installation shall be in accordance with NEC and all local codes.

### Overview:

Fixtures are designed for use on "H" series WAC Lighting track. They may also be used on other manufacturer's brand of track (consult factory for compatibility).

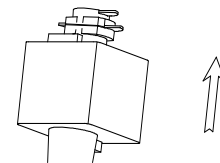
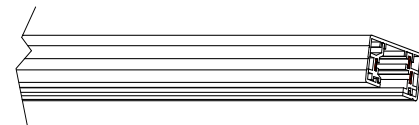
### Lamping:

1. HTK-797 use PAR 20 lamp, 50W max.  
HTK-798 use PAR 30 lamp, 75W max.  
HTK-799 use PAR 38 lamp, 150Wmax.
2. Insert the PAR lamp by screwing clockwise into lamp socket.

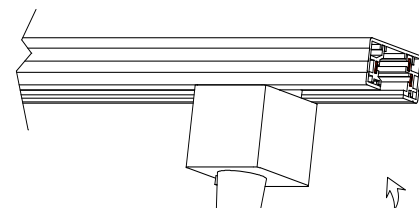


### Installing on Track:

1. Note the track head contacts, and the polarity groove running the length of the track.
2. The two contacts should be positioned so that when rotated, they will face the grooved side of the track (this is the side with two flat copper wires running its length).
3. Insert adapter into track slot. Pull downward on the adapter while rotating the adapter 90°.
4. Release the adapter so the locking tab seats in the track slot.
5. Removal is the reverse procedure. Track heads may be positioned anywhere along the track length.
6. Not suitable for use on wall mounted track.



Step 2



Step 3

Retain instructions for future reference.

# INSTRUCTIONS: Line Voltage Track Fixture

## Model: HTK-797-LENS, HTK-798-LENS, HTK-799-LENS

### Caution:

Read all instructions before installing.  
Switch off power before installing or re-lamping.  
All installation shall be in accordance with NEC and all local codes.

### Overview:

Fixtures are designed for use on "H" series WAC Lighting track. They may also be used on other manufacturer's brand of track (consult factory for compatibility).

### Lamping:

1. HTK-797-LENS use PAR 20 lamp, 50W max.  
HTK-798-LENS use PAR 30 lamp, 75W max.  
HTK-799-LENS use PAR 38 lamp, 150Wmax.
2. Pull out retaining ring.
3. Insert the PAR lamp by screwing clockwise into lamp socket.
4. Re-install retaining ring.

### Accessories:

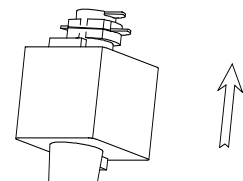
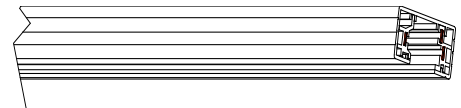
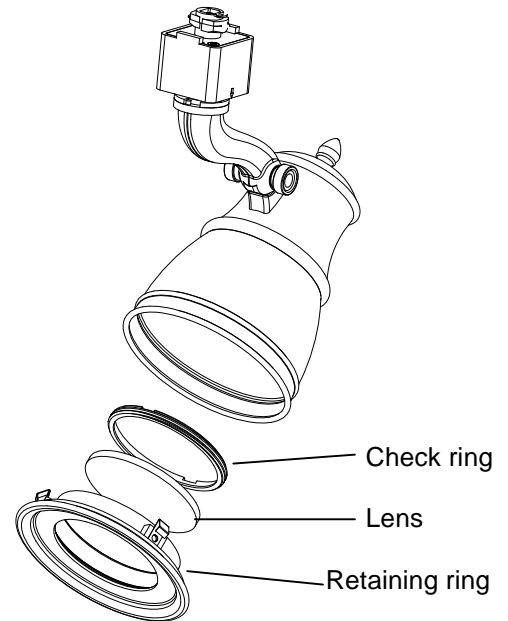
Fixture accepts up to two accessories. The check ring may be removed and an accessory lens and/or louver can be inserted into the form fitting recess. Accessory combinations could be a dichroic lens with honeycomb louver, colored lens with cross baffle louver, etc.

1. Once the retaining ring has been removed, unscrew the check ring.
2. Place the new lens or louver into the recess and re-install the check ring.

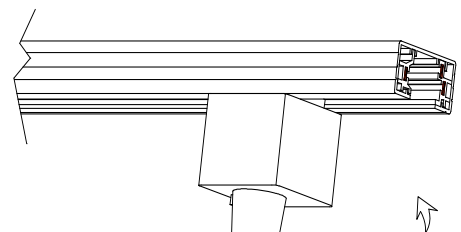
### Installing on Track:

1. Note the track head contacts, and the polarity groove running the length of the track.
2. The two contacts should be positioned so that when rotated, they will face the grooved side of the track (this is the side with two flat copper wires running its length).
3. Insert adapter into track slot. Pull downward on the adapter while rotating the adapter 90°.
4. Release the adapter so the locking tab seats in the track slot.
5. Removal is the reverse procedure. Track heads may be positioned anywhere along the track length.
6. Not suitable for use on wall mounted track.

Retain instructions for future reference.



Step 2



Step 3

# INSTRUCTIONS: Line Voltage Track Fixture

## Model: LTK-797, LTK-798, LTK-799

### Caution:

Read all instructions before installing.

Switch off power before installing or re-lamping.

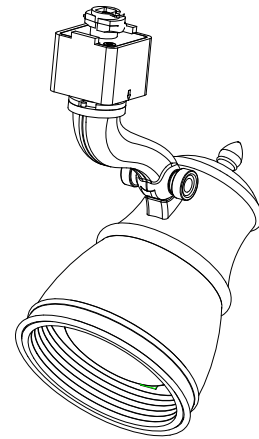
All installation shall be in accordance with NEC and all local codes.

### Overview:

Fixtures are designed for use on "L" series WAC Lighting track. They may also be used on other manufacturer's brand of track (consult factory for compatibility).

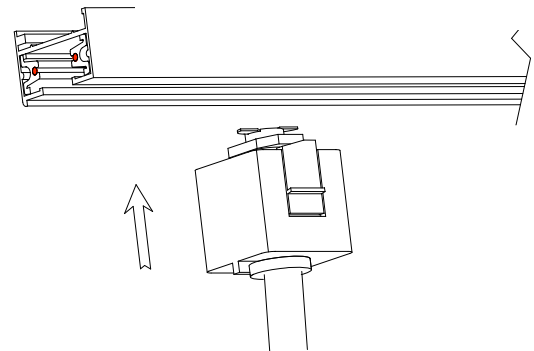
### Lamping:

1. LTK-797 use PAR 20 lamp, 50W max.  
LTK-798 use PAR 30 lamp, 75W max.  
LTK-799 use PAR 38 lamp, 150Wmax.
2. Insert the PAR lamp by screwing clockwise into lamp socket.

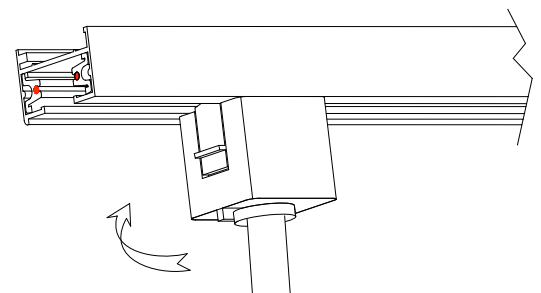


### Installing Fixtures:

1. Note the track has a ridge running it's length to indicate polarity.
2. Note the angled edge of the locking tab.
3. Insert adapter into track slot and rotate it 90 ° so that the low side of the locking tab faces the ridged side of the track.
4. Make sure the locking tab seats in the track slot.
5. Removal is the reverse procedure. Track heads may be positioned anywhere along the track length.



**Note:** "L" series track accepts only WAC track heads.



Retain instructions for future reference.

# INSTRUCTIONS: Line Voltage Track Fixture

## Model: LTK-797-LENS, LTK-798-LENS, LTK-799-LENS

### Caution:

Read all instructions before installing.  
Do not attempt to energize anything other than a track light fixture.  
All installation shall be in accordance with NEC and all local codes.

### Overview:

Fixtures are designed for use on "L" series WAC Lighting track. They may also be used on other manufacturer's brand of track (consult factory for compatibility).

### Lamping:

1. LTK-797-LENS use PAR 20 lamp, 50W max.  
LTK-798-LENS use PAR 30 lamp, 75W max.  
LTK-799-LENS use PAR 38 lamp, 150W max.
2. Pull out retaining ring.
3. Insert the PAR lamp by screwing clockwise into lamp socket.
4. Re-install retaining ring.

### Accessories:

Fixture accepts up to two accessories. The check ring may be removed and an accessory lens and/or louver can be inserted into the form fitting recess. Accessory combinations could be a dichroic lens with honeycomb louver, colored lens with cross baffle louver, etc.

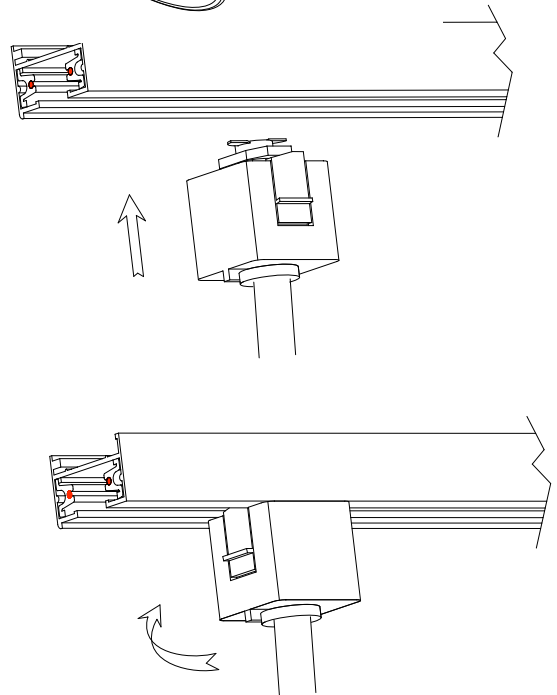
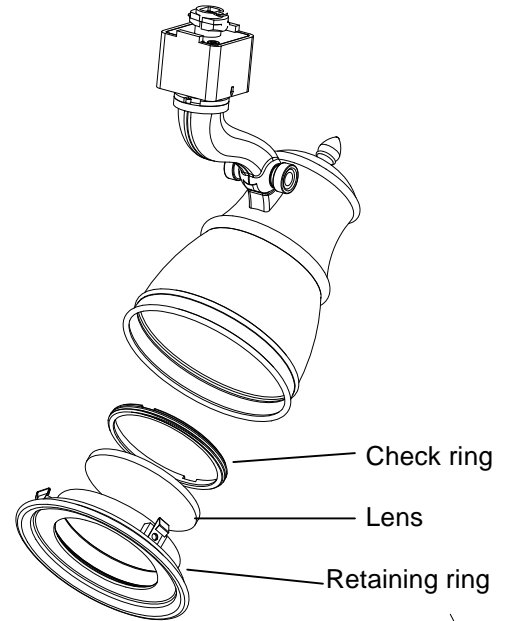
1. Once the retaining ring has been removed, unscrew the check ring.
2. Place the new lens or louver into the recess and re-install the check ring.

### Installing Fixtures:

1. Note the track has a ridge running its length to indicate polarity.
2. Note the angled edge of the locking tab.
3. Insert adapter into track slot and rotate it 90° so that the low side of the locking tab faces the ridged side of the track.
4. Make sure the locking tab seats in the track slot.
5. Removal is the reverse procedure. Track heads may be positioned anywhere along the track length.

**Note:** "L" series track accepts only W.A.C. track heads.

Retain instructions for future reference.



# INSTRUCTIONS: Line Voltage Track Fixture

## Model: JTK-797, JTK-798, JTK-799

### Caution:

Read all instructions before installing.

Switch off power before installing or re-lamping.

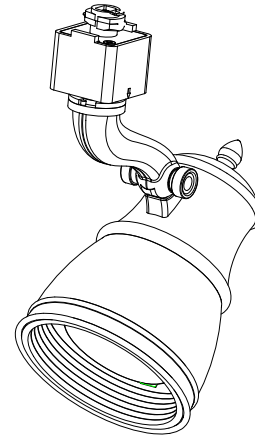
All installation shall be in accordance with NEC and all local codes.

### Overview:

Fixtures are designed for use on "J" and "J2" series WAC Lighting tracks. They may also be used on other manufacturer's brand of track (consult factory for compatibility).

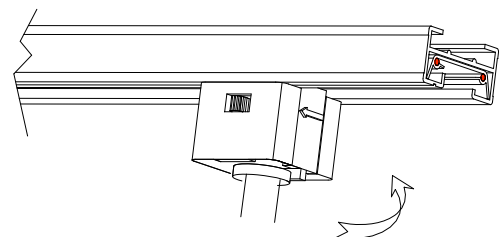
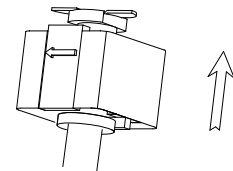
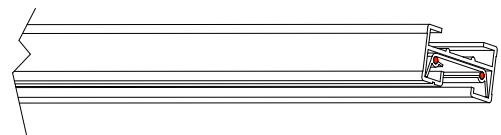
### Lamping:

1. JTK-797 use PAR 20 lamp, 50W max.  
JTK-798 use PAR 30 lamp, 75W max.  
JTK-799 use PAR 38 lamp, 150W max.
2. Insert the PAR lamp by screwing clockwise into lamp socket.



### Fixture Installation

1. Note the track has a groove running its length to indicate polarity.
2. Note the arrow on the locking tab.
3. Insert adapter into track slot and rotate it 90°. The arrow should point to the grooved side of the track.
4. Make sure the locking tab seats in the track slot.
5. Removal is the reverse procedure. Track heads may be positioned anywhere along the track length.



Retain instructions for future reference.

# INSTRUCTIONS: Line Voltage Track Fixture

## Model: JTK-797-LENS, JTK-798-LENS, JTK-799-LENS

### Caution:

Read all instructions before installing.  
Switch off power before installing or re-lamping.  
All installation shall be in accordance with NEC and all local codes.

### Overview:

Fixtures are designed for use on "J" and "J2" series WAC Lighting tracks. They may also be used on other manufacturer's brand of track (consult factory for compatibility).

### Lamping:

1. JTK-797-LENS use PAR 20 lamp, 50W max.  
JTK-798-LENS use PAR 30 lamp, 75W max.  
JTK-799-LENS use PAR 38 lamp, 150W max.
2. Pull out retaining ring.
3. Insert the PAR lamp by screwing clockwise into lamp socket.
4. Re-install retaining ring.

### Accessories:

Fixture accepts up to two accessories. The check ring may be removed and an accessory lens and/or louver can be inserted into the form fitting recess. Accessory combinations could be a dichroic lens with honeycomb louver, colored lens with cross baffle louver, etc.

1. Once the retaining ring has been removed, unscrew the check ring.
2. Place the new lens or louver into the recess and re-install the check ring.

### Fixture Installation

1. Note the track has a groove running its length to indicate polarity.
2. Note the arrow on the locking tab.
3. Insert adapter into track slot and rotate it 90°. The arrow should point to the grooved side of the track.
4. Make sure the locking tab seats in the track slot.
5. Removal is the reverse procedure. Track heads may be positioned anywhere along the track length.

Retain instructions for future reference.

