

INSTRUCTIONS: 4" LEDme Downlight Remodeling Housing
Model: HR-LED418-R-W HR-LED418-R-C
HR-LED418-RIC-W HR-LED418-RIC-C

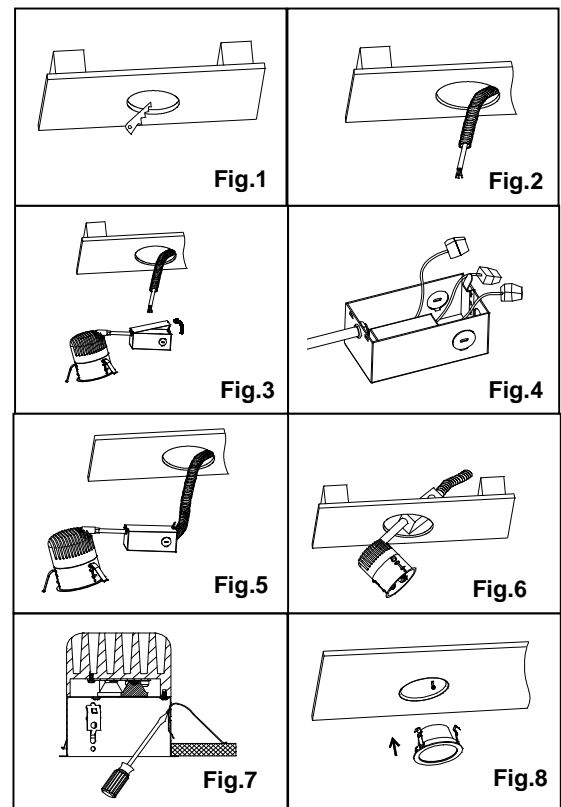
Important:
 Read all instructions before installing.
 For installation by a qualified electrician.
 System is intended for installation in accordance with National Electric Code, and local regulations. Consult with local inspector to assure compliance.
 To reduce the risk of fire, electrical shock and injuries to persons, turn off power at main switch before installing or modifying the system.
 Warning: (Risk of fire) do not install insulation within 3 inches of fixture sides, or junction box, or in a manner to entrap heat.
 Retain instructions for future maintenance reference.

Overview:

Housing is remodeling type, 18 watts maximum. Housing requires a trim from the HR-LED400 series. May be used with a standard incandescent dimmer switch, or an electronic low voltage dimmer.

Mounting:

1. Cut out a hole 4 9/16" in the existing ceiling (as Fig.1).
2. Pull ceiling wire through the hole (as Fig.2)..
3. Junction box is suitable for chain wiring of multiple fixtures and is supplied with a spring latch door, and three trade size knockouts connectors.
4. Remove junction box door and connect fixture wires to building wires: insert each supply wire into appropriate junction box connector. Connect brown/black fixture wire to hot, blue/white fixture wire to neutral and green fixture wire to ground (as Fig.3 and Fig.4).
5. Place all wiring and connectors back in wiring box and replace junction box door (as Fig.5).
6. Pull the fixture up through the hole (as Fig.6).
7. Push clips to secure the fixture .Note: 3/4 inch maximum ceiling thickness (as Fig.7).
8. Push the trim assembly up until the trim ring is flush to the ceiling (as Fig.8).



Replace LED LENS:

1. Remove the screws and take off the can (as Fig.9 and as Fig.10).
2. Replace the lens you choose (as Fig.11 and as Fig.12).
3. Put on the can and secure the screws (as Fig.13 and Fig.14).

