

INSTRUCTIONS: 4" LEDme Downlight New Construction Invisible Trim™ Housing
Model: HR-LED418-N-ROW HR-LED418-N-ROC
HR-LED418-NIC-ROW HR-LED418-NIC-ROC

Important:

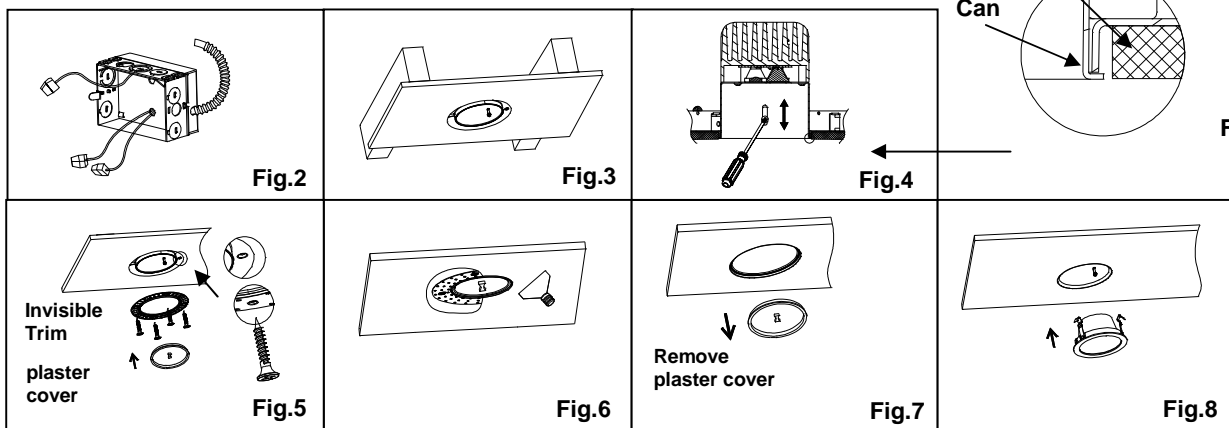
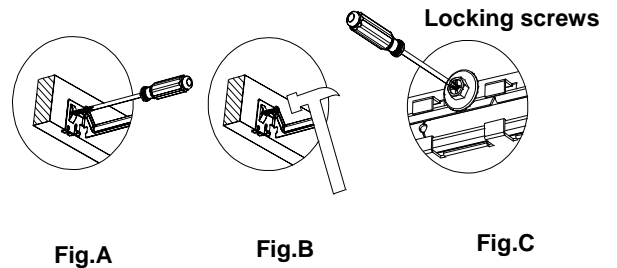
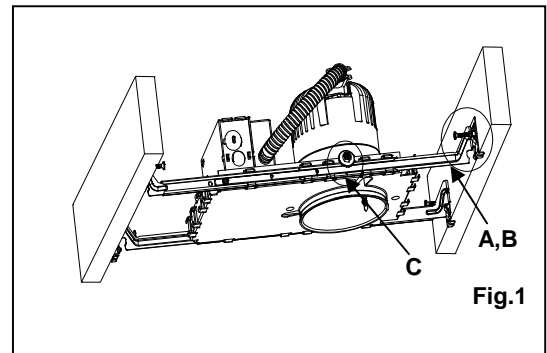
Read all instructions before installing.
For installation by a qualified electrician.
System is intended for installation in accordance with National Electric Code, and local regulations. Consult with local inspector to assure compliance.
To reduce the risk of fire, electrical shock and injuries to persons, turn off power at main switch before installing or modifying this system.
Warning: (Risk of fire) do not install insulation within 3 inches of fixture sides, or junction box, or in a manner to entrap heat.
Retain instructions for future maintenance reference.

Overview:

Housing is new construction type, 18 watts maximum. Housing requires an Invisible Trim™ from the HR-LED400TL series. May be used with a standard incandescent dimmer switch, or an electronic low voltage (ELV) dimmer.

Mounting:

1. Install mounting frame using two hanger bars (24 1/2" max). Bars are notched on the ends to fit over "T" bars in suspended ceilings. Hanger bars include a captive mounting "screw-nail" for ease of installation (as Fig.1). Align the bottom of the hanger bar with the bottom of the wood joist. Secure the "screw-nail" on each end by screwdriver (as Fig.A), or by hammer (as Fig.B).
2. Slide fixture along bar hangers into desired location. Use locking screws to secure (as Fig.C).
3. Junction box is suitable for branch wiring and has trade size knockouts and integral non-metallic sheathed cable connectors.
4. Remove spring latched junction box door and connect fixture wires to building wires and insert each supply wire into appropriate junction box connector. Connect black fixture wire to hot, white fixture wire to neutral and green fixture wire to ground (as Fig.2).
5. Place all wiring and connectors back in wiring box and replace junction box door.
6. When installing in drywall, cut a hole $\phi 6 1/8"$ in the drywall (as Fig.3). After installing drywall, if necessary, adjust fixture for ceiling thickness by loosening hex screws that attach the round housing to the plaster frame (as Fig.4).
7. Raise Invisible Trim™ frame to ceiling opening and secure with screws supplied (as Fig.5).
8. Apply plaster or spackle over Invisible Trim™ and sand surface when dry for a finished look (as Fig.6). Remove plaster cover (as Fig.7).
9. Push the trim assembly up until the trim ring is flush to the ceiling (as Fig.8).



Replace LED LENS:

1. Remove the screws and take off the can (as Fig.9 and Fig.10).
2. Replace the lens you choose (as Fig.11 and Fig.12).
3. Put on the can and secure the screws (as Fig.13 and Fig.14).

