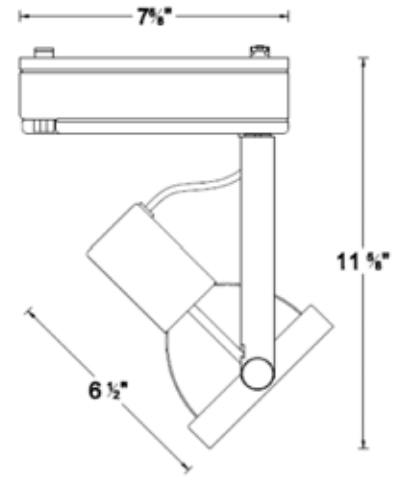
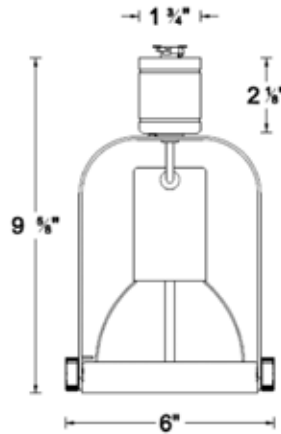


CATALOG NUMBER	TYPE
PROJECT	

METAL HALIDE TRACK LUMINAIRES

SERIES 765-70E



Ordering Matrix

Model			Series	Finish		
<input type="text"/>			<input type="text"/>	<input type="text"/>		
HTK	JTK	LTK	765-70E	BK	PT	WT

Ordering Example (model – series – finish): HTK-765-70E-WT

Product Details

Description:	Metal Halide track fixture.
Materials:	Formed metal with polycarbonate track adaptor and aiming screws in black or white to match track finish. Medium base 250V porcelain socket with nickel-plated copper screw shell.
Aiming:	350° horizontal rotation and 90° vertical aiming. Two aiming screws (one on each side of fixture) lock fixture aiming angle.
Lamping:	Uses medium base CDM PAR38 lamps, 70W max.
Systems:	HTK is used with the WAC H system track (HT). JTK is used with the WAC J system and J2 system track (JT & J2-T). LTK is used with the WAC L system track (LT)
Finish:	Abrasion resistant power coat paint finish. Available in Black (BK), White (WT), Platinum (PT)
Listing:	UL & CUL Listed.

Ballasts

- Pulse start electronic ballast. Operates more efficiently and consume up to 20% less energy than magnetic ballasts. Electronic ballasts increase lamp life, while reducing visual flicker.

ANSI#	M-98
Operating Amps	0.67A
Total input Power	80W
Power Factor	>95%
Sound Rating	A
Harmonic Distortion	<10%

- 5 year WAC Lighting product warranty.