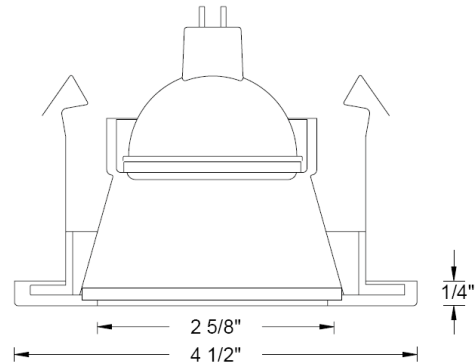


CATALOG NUMBER	TYPE
PROJECT	

LOW VOLTAGE 4" DIE CAST TRIM **HR-D418-S**



Ordering Matrix			
Series	Model Number	Finish(Trim)	Lamp
HR	D418-S	WT = White	Halogen MR16

Ordering Example (series – model number – finish): HR-D418-S-WT

Product Details	
Description:	Enclosed drop glass lens trim for use with HR-84** series low voltage downlight housings. Wet location listed for use in showers and similar environments.
Materials:	Powder coated or plated brushed nickel finish on die-cast aluminum. Fingered retention clips firmly hold trim to housing.
Lamp	12volt MR16 halogen lamp, Ordered separately. 50w max for all housing.
Finish:	WT = White trim with clear glass lens.
Listing:	UL & CUL Listed. Suitable for damp locations.

Specification Features
<ul style="list-style-type: none"> ● Tool-less re-lamping and maintenance features to provide years of reliable operation. ● Small dome shower light provides a good amount of diffused downward lighting from a small aperture. ● Handles ceiling thickness up to 3/4". ● 5 year WAC Lighting product warranty.

Compatible Housings (Sold Separately)					
HR-8401E Non IC Remodeling 12 Volt Electronic Lamp: MR16 50W Max		HR-8401H & HF Non IC Remodeling 12 volt Magnetic Lamp: MR16 50W Max		HR-8402E Non IC New Construction 12 Volt Electronic Lamp: MR16 50W Max	
HR-8402H & HF Non IC New Construction 12 Volt Magnetic Lamp: MR16 50W Max		HR-8402HL & HFL Non IC New Construction 12 Volt Magnetic Lamp: MR16 75W Max		HR-8403H & HF IC Rated. Air tight ready. New Construction 12 Volt Magnetic Lamp: MR16 50W Max	