

INSTRUCTIONS: Metal Halide Flexrail2 Fixtures

Safety Instructions:

A qualified electrician must install fixture only. Fixture is intended for installation in accordance with National Electric Code, local and Federal code specifications.

To reduce the risk of fire, electrical shock and injuries to persons:

1. Read all instructions.
2. Turn off power at main switch before installing or modifying the system.
3. Do not install within six inches of any curtain or combustible materials.
4. Do not install less than 5 feet above a floor.
5. Do not install in damp or wet locations.
6. Do not install concealed, or extended through building walls.
7. Do not attempt to energize anything other than a track light fixture.
8. Do not load rail to more than 20 amps per circuit.

Overview: Fixtures are designed for use on WAC Flexrail2series track. All fixtures employ self-contained 120V rated electronic ballasts. They are supplied without lamps. All models come with individual on/off switches. Fixtures employ pulse start ballasts and, will take several minutes to reach full intensity and color.

Installing Fixtures:

The fixture adapter is comprised of a cover piece and an internal adapter.

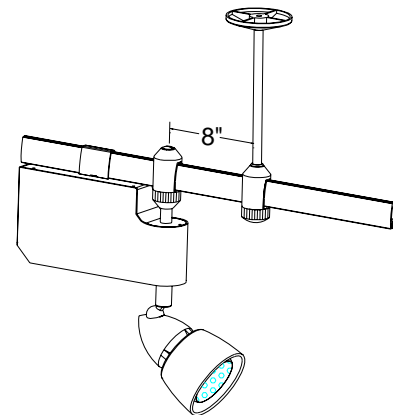
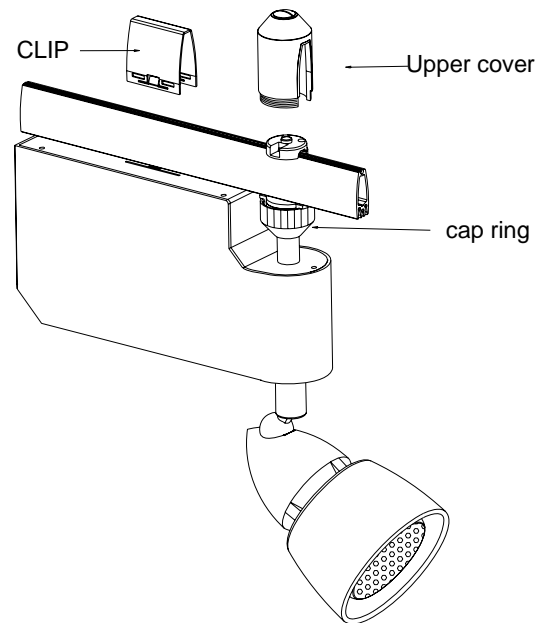
1. Loosen the cap ring counter clockwise, to free the top cover. Pull the cover straight off.
2. Note that the internal adapter is constructed in two pieces, with $\frac{1}{4}$ inch of play between the two. Apply tension to keep the two adapter parts separated so that the metal contacts are mostly hidden.
3. The open end of the adapter is now in the correct position to be pivoted on to the rail.
4. Plant the top end first and pivot the lower end in.
5. Once mounted squeeze the two adapter parts and visually check that the contacts seat in the rail grooves.
6. Replace cap ring and upper cover in the order they were removed.
7. Push clip over rail until it snaps into the slots on the ballast housing

Note: Installing the fixture from the reverse side engages the second circuit.

Note:

If using heavy elements, such as pendants, or ballasted fixtures place a support not more than 8" from the fixture mount.

Caution: Switch off power before installing or relamping.



Installing lamp:

1. Fixtures use Metal Halide lamps with medium base sockets. Lamp screws in clockwise.
2. Note: Fixtures are equipped with on off switches. Turn off to re-lamp, this allows other lights to remain energized and avoids waiting for all lamps to re-strike.

Model	Type	Ballast	Metal Halide Lamp Cross Reference		
			GE	Osram/Sylvania	Philips
HM-783MH39	Par 20 39 watt	Electronic	Constant Color®	Metalarc Pro-Tech®	Mastercolor®
HM-784MH39	Par 30 39 watt	Electronic			
HM-784MH70	Par 30 70 watt	Electronic			
HM-785MH70	Par 38 70 watt	Electronic			
HM-785MH100	Par 38 100 watt	Electronic			
HM-773MH39	Par 20 39 watt	Electronic			
HM-774MH39	Par 30 39 watt	Electronic			
HM-774MH70	Par 30 70 watt	Electronic			
HM-775MH70	Par 38 70 watt	Electronic			
HM-775MH100	Par 38 100 watt	Electronic			

