

FLEXRAIL1™

Stem Ceiling Power Feed

WAC LIGHTING

Responsible Lighting®

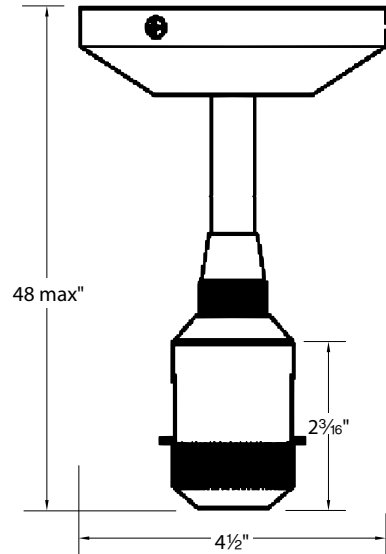


Fixture Type:

Catalog Number:

Project: _____

Location: _____



PRODUCT DESCRIPTION

Rigid feed that provides power to the track and blends into a system by matching the look of the HM1-X standoffs.

FEATURES

- 4½" Canopy
- May be placed anywhere along the length of the rail over a junction box supplying 120 volts
- Also serves as a support; Cannot be field cut

SPECIFICATIONS

Transformers: Quick Connect™ transformer attaches to rail and accepts all Quick Connect™ fixtures and pendants with low voltage HM1-EN50.

Mounting: Mounts to flat or suspended ceilings.

Standards: UL & CUL listed

ORDER NUMBER

| Model | Length | Finish | |
|-------|--------|--------|---|
| HM1 | PCT6 | 6" | PT <i>Platinum</i> DB <i>Dark Bronze</i> |
| | PCT12 | 12" | |
| | PCT24 | 24" | |
| | PCT36 | 36" | |
| | PCT48 | 48" | |

HM1 - -

Example: **HM1-PCT6-DB**

WAC Lighting
www.waclighting.com
Phone (800) 526.2588 • Fax (800) 526.2585

Headquarters/Eastern Distribution Center
44 Harbor Park Drive • Port Washington, NY 11050
Phone (516) 515.5000 • Fax (516) 515.5050

Western Distribution Center
1750 Archibald Avenue • Ontario, CA 91760
Phone (800) 526.2588 • Fax (800) 526.2585