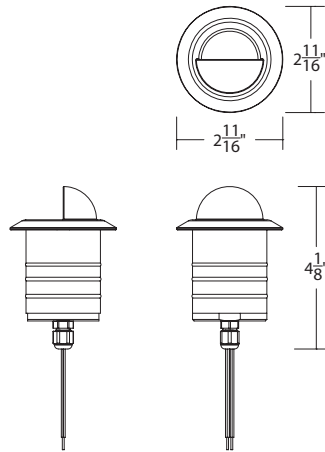


INDICATOR LIGHT

2131-CS



Fixture Type:

Catalog Number:

Project: _____

Location: _____

PRODUCT DESCRIPTION

Enjoy awe-inspiring wayfinding illumination. COLORSCAPING LED indicator Lights guide you safely around a flower garden, pool, driveway, or through backyard woods. From subtle tones to bold vivid hues, create multi-colored lighting effects to control sightlines and make your yard feel larger at night. Magical. Bedazzling.

FEATURES

- Each fixture can be individually controlled
- Fixtures can be grouped and controlled together
- Fixtures contain discrete, warm, and a cool white LEDs for full tunability
- Fixtures can generate tens of thousands of different colors
- Automations can be stored and recalled for holiday or other celebratory lighting scenes
- Fixtures from multiple transformers can be controlled as a single group in the app
- Integrators can control the fixtures using industry standard DMX 512
- The color scaping transformer allows for installation growth - each transformer supports one or two legacy landscape lighting circuits in addition to the color scaping fixtures
- Paint your landscaping and home using light
- Schedule your landscape lighting based on sunrise and sunset in your location
- RGBWW Color Changing Fixture: R / G / B / 2700K-6500K

SPECIFICATIONS

- Input:** 15VAC (Colorscaping Smart Transformer is required)
Power: 4.5W / 5.5VA (Use VA value for sizing the transformer and calculate voltage drop.)
Brightness: White: 135 lm
 Red: 27 lm
 Green: 89 lm
 Blue: 18 lm
CRI: 85
Rated Life: 50,000 hours
IP Rating: IP68

IEC Safety Standard	Walk Over	Drive Over
Resistance to static load test	Yes (1125lbs)	Yes (4496lbs)
Resistance to torque and shear loads test	N/A	Yes

ORDERING NUMBER

	Color Temp	Finish
2131 Indicator Light	CS Color Changing	BS Bronze on Stainless Steel SS Stainless Steel

2131-__SS

Example: **2131-CSSS**

wacighting.com

Phone (800) 526.2588

Fax (800) 526.2585

Headquarters, East Manufacturing Facility

44 Harbor Park Drive

Port Washington, NY 11050

South East Manufacturing Facility

1600 Distribution Ct

Lithia Springs, GA 30122

Central Manufacturing Facility

1700 South J Elmer Freeway, Ste 100

Cedar Hill, TX 75104

West Manufacturing Facility

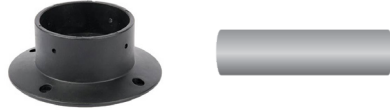
1750 S Archibald Ave

Ontario, CA 91761

INDICATOR LIGHT

2131-CS

2" Concrete Poer Kit



*For installation in concrete.
Use with a 4" outdoor rated junction box
and a trade size 2" schedule 80 PVC pipe*

2000-CON-PVC

Magnetic Transformers

*Stainless Steel, 15V output, IP65 rated, UL 1838 listed
See transformer spec sheet for details and its accessories*

8150CS-TRN-SS
150W Max

8300CS-TRN-SS
300W Max

