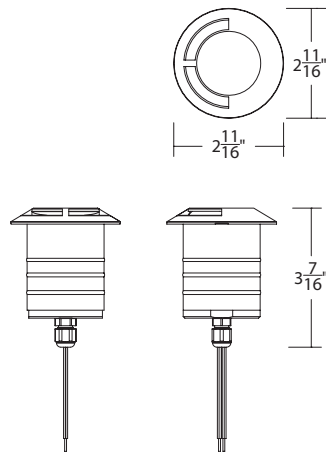


INDICATOR LIGHT

2091-CS



Fixture Type:

Catalog Number:

Project: _____

Location: _____

PRODUCT DESCRIPTION

Enjoy awe-inspiring wayfinding illumination. COLORSCAPING LED indicator Lights guide you safely around a flower garden, pool, driveway, or through backyard woods. From subtle tones to bold vivid hues, create multi-colored lighting effects to control sightlines and make your yard feel larger at night. Magical. Bedazzling.

FEATURES

- Each fixture can be individually controlled
- Fixtures can be grouped and controlled together
- Fixtures contain discrete, warm, and a cool white LEDs for full tunability
- Fixtures can generate tens of thousands of different colors
- Automations can be stored and recalled for holiday or other celebratory lighting scenes
- Fixtures from multiple transformers can be controlled as a single group in the app
- Integrators can control the fixtures using industry standard DMX 512
- The color scaping transformer allows for installation growth - each transformer supports one or two legacy landscape lighting circuits in addition to the color scaping fixtures
- Paint your landscaping and home using light
- Schedule your landscape lighting based on sunrise and sunset in your location
- RGBWW Color Changing Fixture: R / G / B / 2700K-6500K

SPECIFICATIONS

- Input:** 15VAC (Colorscaping Smart Transformer is required)
Power: 4.5W / 5.5VA (Use VA value for sizing the transformer and calculate voltage drop.)
Brightness: White: 10 lm
 Red: 2 lm
 Green: 7 lm
 Blue: 1.5 lm
CRI: 85
Rated Life: 50,000 hours
IP Rating: IP68

IEC Safety Standard	Walk Over	Drive Over
Resistance to static load test	Yes (1125lbs)	Yes (4496lbs)
Resistance to torque and shear loads test	N/A	Yes

ORDERING NUMBER

	Color Temp	Finish
2091 Indicator Light	CS Color Changing	BS Bronze on Stainless Steel SS Stainless Steel

2091-__SS

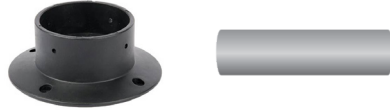
Example: **2091-CSSS**

wacighting.com	Headquarters, East Manufacturing Facility	South East Manufacturing Facility	Central Manufacturing Facility	West Manufacturing Facility
Phone (800) 526.2588	44 Harbor Park Drive	1600 Distribution Ct	1700 South J Elmer Freeway, Ste 100	1750 S Archibald Ave
Fax (800) 526.2585	Port Washington, NY 11050	Lithia Springs, GA 30122	Cedar Hill, TX 75104	Ontario, CA 91761

INDICATOR LIGHT

2091-CS

2" Concrete Poer Kit



*For installation in concrete.
Use with a 4" outdoor rated junction box
and a trade size 2" schedule 80 PVC pipe*

2000-CON-PVC

Magnetic Transformers

*Stainless Steel, 15V output, IP65 rated, UL 1838 listed
See transformer spec sheet for details and its accessories*

8150CS-TRN-SS
150W Max

8300CS-TRN-SS
300W Max

