

INSTALLATION INSTRUCTION

H Track Current Limiter - Slim Single Live End

THL-HLES

WAC LIGHTING
Responsible Lighting®

For connecting WAC Line Connector THL-LEFT-2/THL-RIGHT-2 to a 4" junction box, or conduit from a solid or grid runner ceiling

SAFETY INSTRUCTION

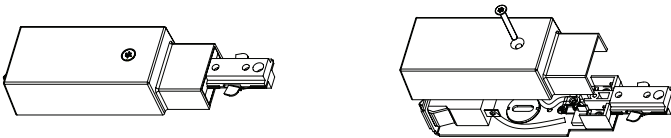
- Please read through the entire Instruction prior to installation.
- Installation must conform to this instruction, and in accordance with National Electrical Code, and local code authority.
- Turn off electrical supply before installing any rack, or track device.
- Limit circuit load using appropriate WAC breaker.
- Device is not intended to be used as a conduit support. Independent conduit support is required.

INSTRUCTION DE SÉCURITÉ

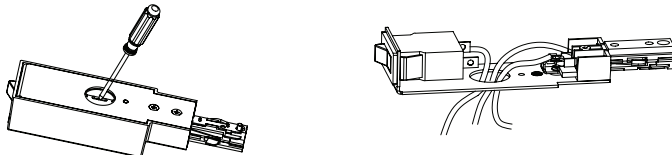
- S'il vous plaît lire l'ensemble d'instructions avant l'installation.
- L'installation doit se conformer à cette instruction, et en conformité avec le National Electrical Code, et l'autorité de code local.
- Coupez l'alimentation électrique avant d'installer un rack, ou d'un dispositif de suivre.
- Limitez circuit de charge en utilisant le disjoncteur WAC approprié.
- Dispositif n'a pas pour but d'être utilisé comme un support de conduit. support de conduit indépendant est nécessaire.

INSTRUCTION:

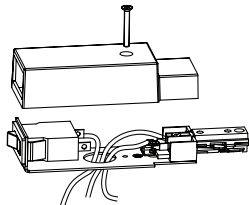
1. Use specialty screw-driver to remove the screw from the current limiter



2. Use tooling to open the knockout, then connect the wires through the opening

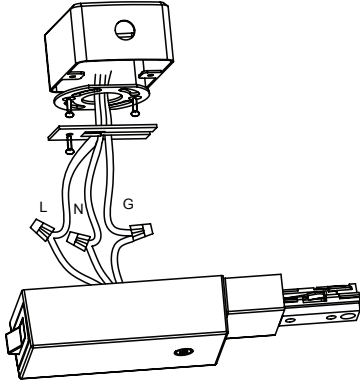


3. Use the specialty screw-driver combine the cover by the screw



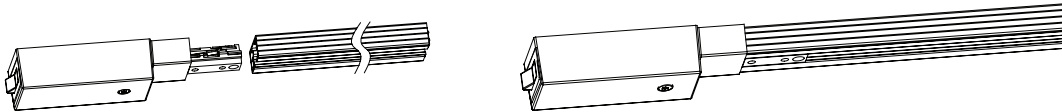
INSTALLATION INSTRUCTION
H Track Current Limiter - Slim Single Live End
 THL-HLES

4. The BOX wires connect with Current Limiter wires by wire terminal (L : black wire, N : white wire, G : green wire)



5. Push the current limiter it to the corresponding track.

Model	Track
THL-HLES-*	H Track



6. Use ON or OFF to control the conduit connection for the track the circuit breaker secured to mounting frame by snap fit.

