

WAC LIGHTING

24V Mini Puck Light

Undercabinet Task Luminaire

Fixture Type: _____

Catalog Number: _____

Project: _____

Location: _____

| Model | Color Temp & CRI | Finish | Lumens |
|---------------------|------------------|----------|---------|
| HR-LED10 24 | 3000K 90 | BK Black | 95 |
| VAC/VDC - Mini Puck | | WT White | 95 |
| HR-LED10/10 24 | | BK Black | 95 x 10 |
| VAC/VDC - Mini Puck | | WT White | 95 x 10 |
| HR-LED10/6 24 | | BK Black | 95 x 6 |
| VAC/VDC - Mini Puck | | WT White | 95 x 6 |
| HR-LED10/6K 24 | | BK Black | 95 x 6 |
| VAC/VDC - Mini Puck | | WT White | 95 x 6 |

Example: **HR-LED10-30-BK**

DESCRIPTION

An innovative under cabinet lighting solution that can be surface mounted or recessed mounted into cabinetry for a cleaner appearance, Mini Puck Lights deliver optimal ambient illumination in kitchens and other spaces.

FEATURES

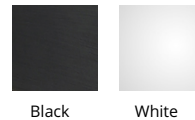
- Recessed or surface mounting
- Quick and easy installation
- Multiple LED array for uniform illumination
- Driver required
- 5 year warranty

SPECIFICATIONS

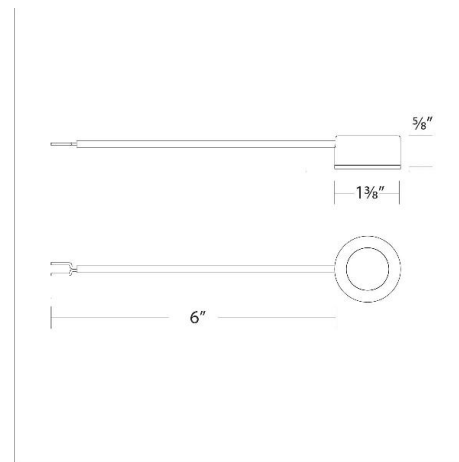
| | |
|------------------------|---|
| Construction: | Die-cast aluminum with translucent acrylic diffuser |
| Power: | 2W, 2W x 6, 2W x 10 |
| Input: | 24 VAC/VDC, 50/60Hz |
| Dimming: | ELV: 100-10% , TRIAC: 100-5% |
| Light Source: | Integrated LED |
| Lens: | Acrylic Lens |
| Rated Life: | 50000 Hours |
| Cut Out: | 1 1/8" |
| Finish: | Electrostatically Powder Coated: Black, White, Electrostatically Powder Coated: White, Black |
| Operating Temp: | -4°F to 104°F (-20°C to 40°C) |
| Standards: | ETL, cETL, Damp Location Listed, Title 24 JA8 Compliant |



FINISHES:



LINE DRAWING:



WAC LIGHTING

24V Plug-In

Class 2 Power Supply

Fixture Type: _____

Catalog Number: _____

Project: _____

Location: _____

Model & Product

EN-2420D-P Plug-in Power Supply with Open Splice 120-240V Input 24V Output 20 Watt

L x W x H

2.75IN x 1.625IN x 1.125IN

Example: **EN-2420D-P-BK**

DESCRIPTION

Low Voltage plug-in Class 2 power supply designed to be used as a plug-and-play style transformer. Contains an 72" wire with an open splice. Ideal for WAC Lighting under cabinetsystems.

FEATURES

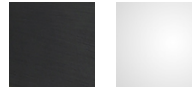
- UL listed Class 2 plug-in power supply
- 6' wire from wall plug to fixture
- Inherently protected and power limited, protecting the lighting system from both normal and abnormal short circuits.
- 5 year warranty

SPECIFICATIONS

| | |
|---------------|---------------------|
| Construction: | Polycarbonate |
| Input: | 100-240VAC, 50/60Hz |
| Finish: | Black, White |
| Standards: | UL, cUL |



FINISHES:



Black

White

WAC LIGHTING

24V Mini Puck Light

Undercabinet Task Luminaire

Fixture Type: _____

Catalog Number: _____

Project: _____

Location: _____

| Model | Color Temp & CRI | Finish | Lumens |
|---------------------------------------|------------------|----------|---------|
| HR-LED10 24 VAC/VDC - Mini Puck | 3000K 90 | BK Black | 95 |
| HR-LED10/10 24 VAC/VDC - Mini Puck | | WT White | 95 |
| HR-LED10/6 24 VAC/VDC - Mini Puck | | BK Black | 95 x 10 |
| HR-LED10/6K 24 VAC/VDC - Mini Puck | | WT White | 95 x 10 |
| HR-LED10/6 24 VAC/VDC - Mini Puck | | BK Black | 95 x 6 |
| HR-LED10/6K 24 VAC/VDC - Mini Puck | | WT White | 95 x 6 |

Example: **HR-LED10-30-BK**

DESCRIPTION

An innovative under cabinet lighting solution that can be surface mounted or recessed mounted into cabinetry for a cleaner appearance, Mini Puck Lights deliver optimal ambient illumination in kitchens and other spaces.

FEATURES

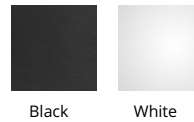
- Recessed or surface mounting
- Quick and easy installation
- Multiple LED array for uniform illumination
- Driver required
- 5 year warranty

SPECIFICATIONS

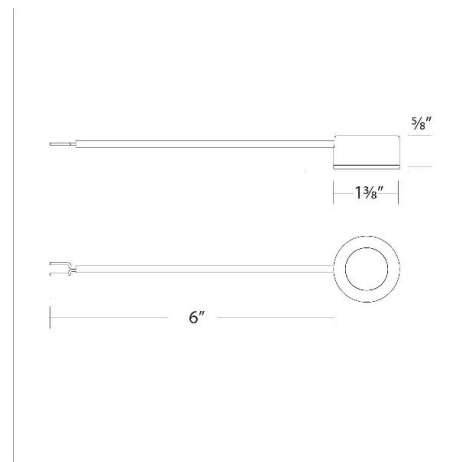
| | |
|------------------------|---|
| Construction: | Die-cast aluminum with translucent acrylic diffuser |
| Power: | 2W, 2W x 6, 2W x 10 |
| Input: | 24 VAC/VDC, 50/60Hz |
| Dimming: | ELV: 100-10% , TRIAC: 100-5% |
| Light Source: | Integrated LED |
| Lens: | Acrylic Lens |
| Rated Life: | 50000 Hours |
| Cut Out: | 1 1/8" |
| Finish: | Electrostatically Powder Coated: Black, White, Electrostatically Powder Coated: White, Black |
| Operating Temp: | -4°F to 104°F (-20°C to 40°C) |
| Standards: | ETL, cETL, Damp Location Listed, Title 24 JA8 Compliant |



FINISHES:



LINE DRAWING:



WAC LIGHTING

Multiple Terminal Block

Transformer Accessory

Fixture Type: _____

Catalog Number: _____

Project: _____

Location: _____

Model & Product

MTB-01 Multiple Terminal Wiring Box for 6 Connections
MTB-01-WT Multiple Terminal Wiring Box for 6 Connections

L x W x H

3.25IN x 1.75IN x 0.875IN
3.25IN x 1.75IN x 0.875IN

Example: **MTB-01**

DESCRIPTION

12.5A max accommodates up to 6 output connections for 14 AWG wires. Terminal block is used to easily wire together multiple output connections for a neat under cabinet installation without the use of open splices.

FEATURES

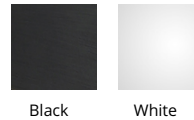
- 12.5A max accommodates up to 6 output connections for 14 AWG wires
- Terminal block is used to easily wire together multiple output connections for a neat under cabinet installation without the use of open splices.
- Perfect for wiring up to 3 button lights at 20W or 6 button lights at 10W
- Terminal block for neat and secure wire connections.
- Accepts transformer output wires and provides wiring sites for up to 6 fixtures
- Work for wires up to 14 gauge.
- Accommodates up to 6 output connections for 14 AWG wires
- 5 year warranty

SPECIFICATIONS

| | |
|----------------------|---|
| Construction: | Eliminates the need for many wires joined together in a wire nut. |
| Finish: | Black, White |
| Standards: | UL, cUL |



FINISHES:



WAC LIGHTING

24V Mini Puck Light Undercabinet Task Luminaire






Fixture Type: _____

Catalog Number: _____

Project: _____

Location: _____

ACCESSORIES

| | <i>Model</i> | <i>Description</i> | <i>Finish</i> |
|---|--|--|----------------|
|  | EN-24100-RB2 EN-2460-RB2 | Class 2 Enclosed Electronic Transformer Class 2 Enclosed Electronic Transformer | Black Black |
|  | EN-2460-P-AR | Plug-In Electronic Transformer | Black |
|  | MTB-01 MTB-01-WT | Multiple Terminal Block Multiple Terminal Block | Black White |
|  | EN-2420D-P-BK EN-2420D-P-WT | 24V Plug-In 24V Plug-In | Black White |
|  | IR-96-24VACDC-WT | Infrared Sensor Switch | WHITE |