

# INSTALLATION INSTRUCTION

## InvisiLED Outdoor 100/200

T24-OD

---

### SAFETY INSTRUCTION

IMPORTANT: NEVER attempt any work without shutting off the electricity.

- Always turn off power at fuse box prior to installation to prevent electrical shock.
- For installation and serviced by a qualified, licensed electrician.
- Install in accordance with national electric code, and local regulations.
- Consult with local inspector to assure compliance.
- Do not submerge the tape into the water.
- Only install with a WAC UL listed Class 2 24VDC LED power supply.
- Do not connect the tape directly to high voltage power
- Do not exceed maximum run recommended for each tape series
- Do not connect the tape with 24VAC output Electronics transformer.

### CAUTION

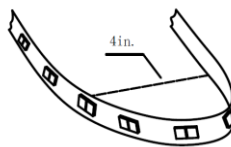
- Read all instructions before installing.
- Handle product with care.
- Do not modify or disassemble product beyond instructions or warranty will be void.
- Cutting anywhere other than the cut point will result in a damage to the tape light
- Failure to follow safety warnings, and installation instruction will void the warranty
- Tape light will begin to flash if maximum rated output power from WAC 24VDC power supply is overloaded.



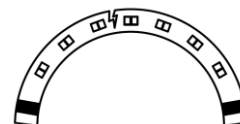
Avoid contact with sharp objects



Install on stable clean, dry surface



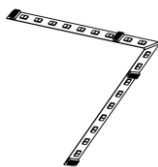
Do not bend the tape light to a diameter less than 4 inches



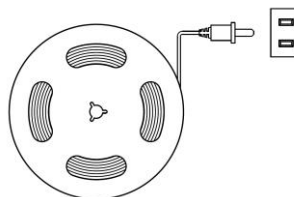
Do not bend the tape light on a horizontal plane



Do not cover LED tape light with any materials



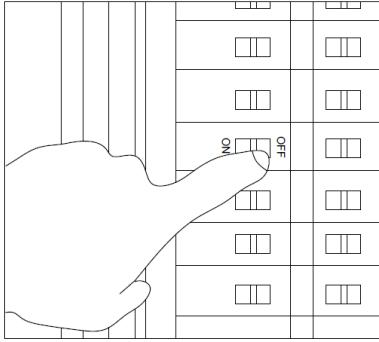
Do not fold or twist LED Tape



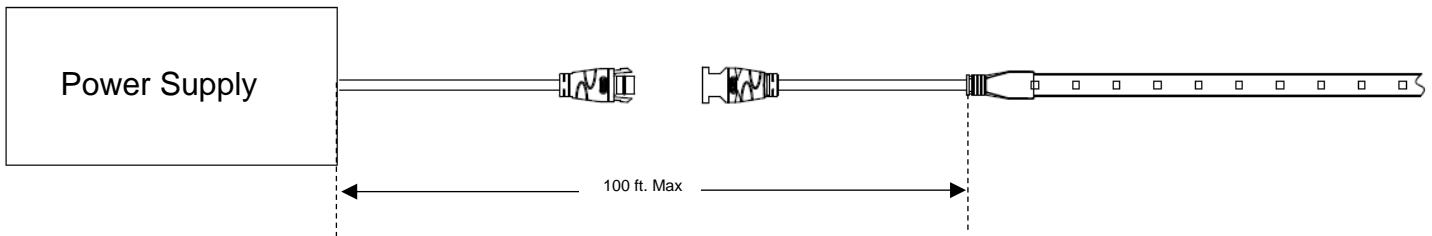
Do not power the LED tape while attached to the spool or tightly coiled

## WIRING AND INSTALLATION:

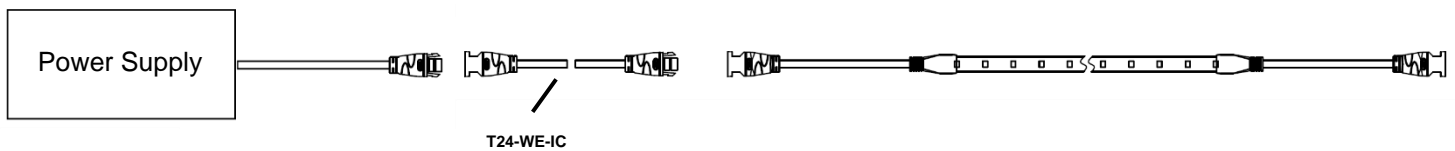
1. Turn Power off at circuit breaker



2. Mounting Enclosed 24VDC class 2 output remote power supply at desired location. Measure a distance between power supply to the beginning of the tape run and make sure that it is under 100ft. The allowed maximum distance of wires between the output of power supply to the beginning of tape is 100 ft. The minimum output gauge wire of power supply is 20 AWG.

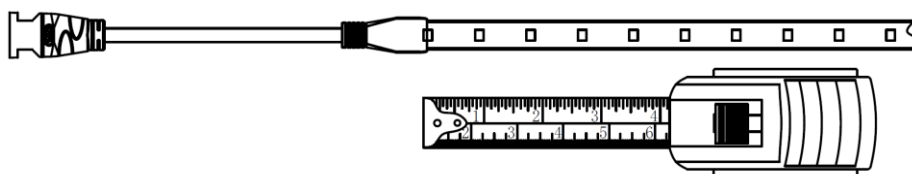


To extend the cable length between hard wire power supply or a wiring box to a tape sections (if needed), InvisiLED Outdoor Joiner Cable (T24-WE-IC) can be used to join between sections as shown below:

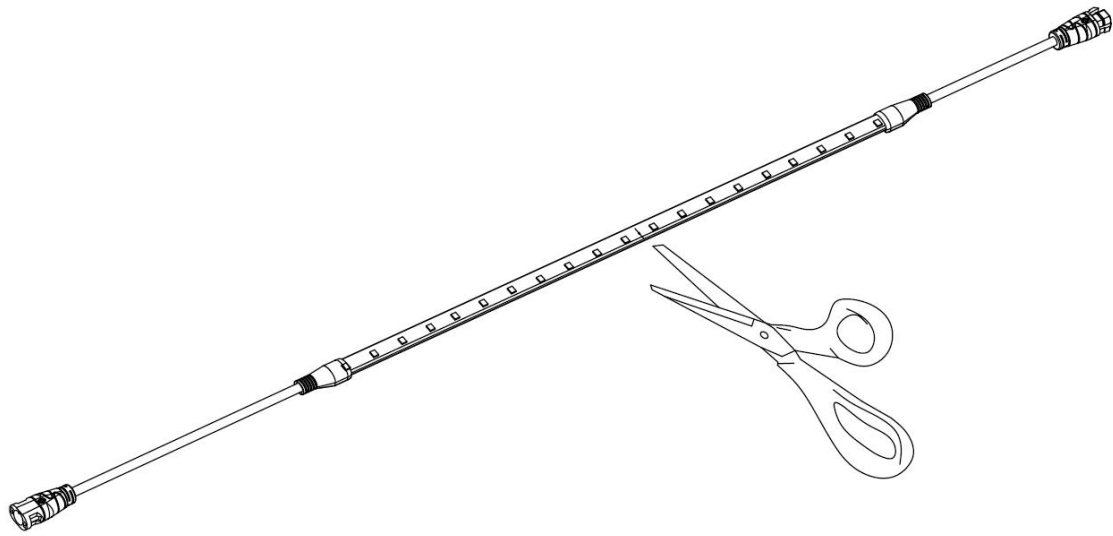


To extend the cable length between hard wire power supply or a wiring box to a tape sections (if needed), Refer to section 8.

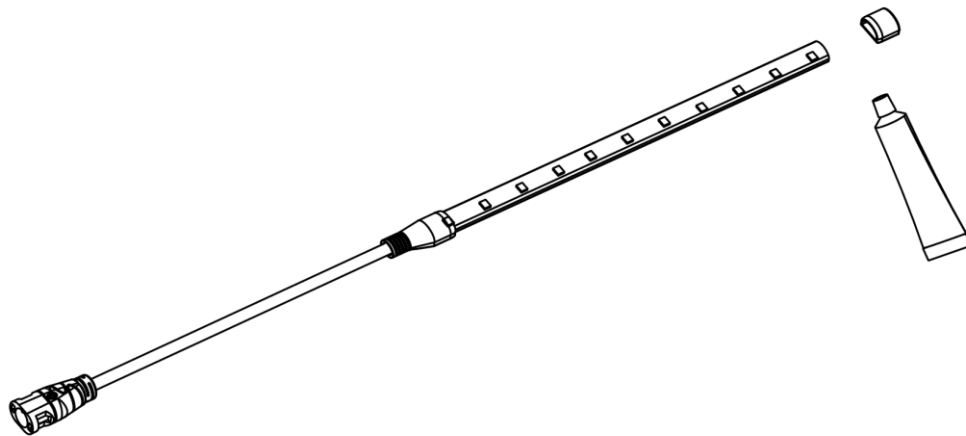
3. Measure the desired length of tape light and round it off to the nearest 4-inch interval. Determine necessary quantities of other accessories and power supply need for each run. Do not exceed maximum run recommended for each tape series



4. If necessary, cut tape light to desired length at line indicated with scissors icon. The tape allows for a cut every 4-inch interval.

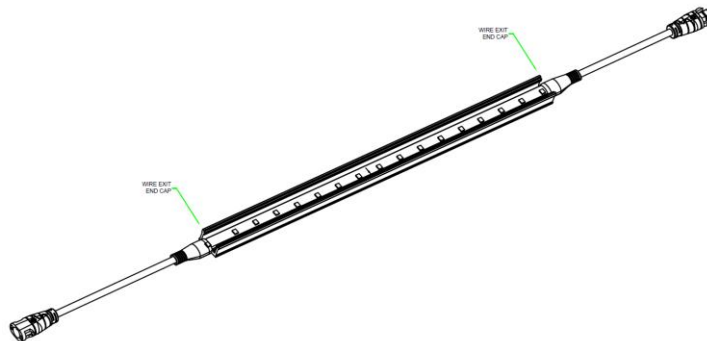
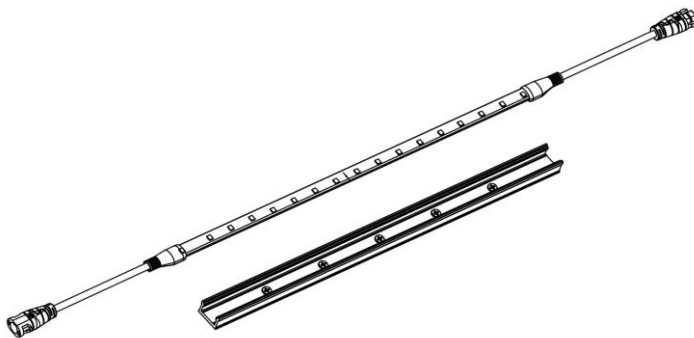
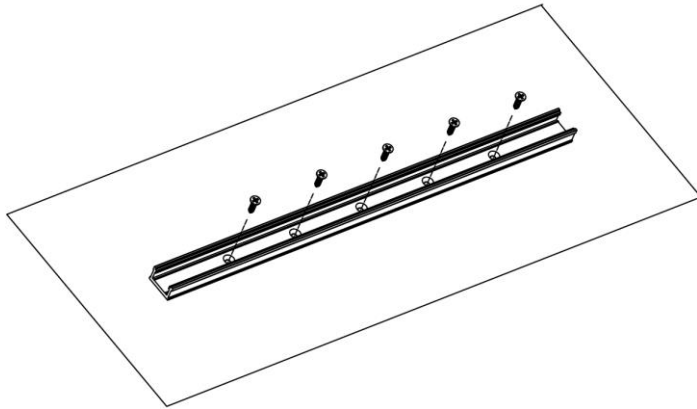


5. Seal with end cap. Apply the silicone glue to the silicone end cap and attach to the cut end of the tape light to prevent water and moisture from seeping in. Once the silicone end cap is attached, allow the silicone glue to dry in before continuing.

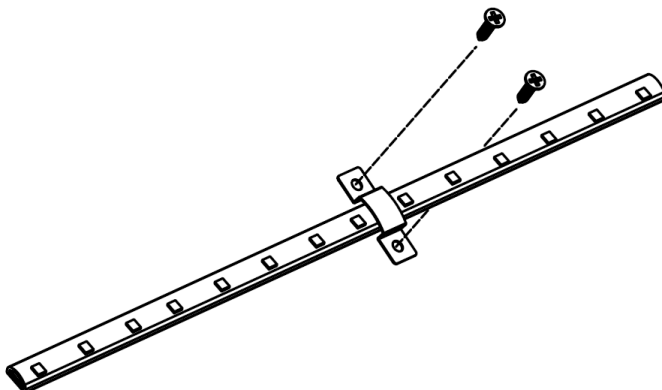


## 6. Mount Tape Light:

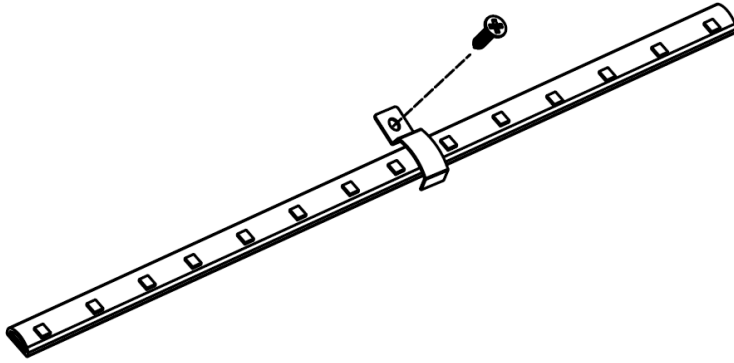
- Mount in outdoor channel T24-WE-CH5, trim the outdoor tape light channel to match the length of the LED tape light and attached the outdoor channel to the surface using screws.  
**CAUTION:** the silicone end cap will not fit into the outdoor channel.



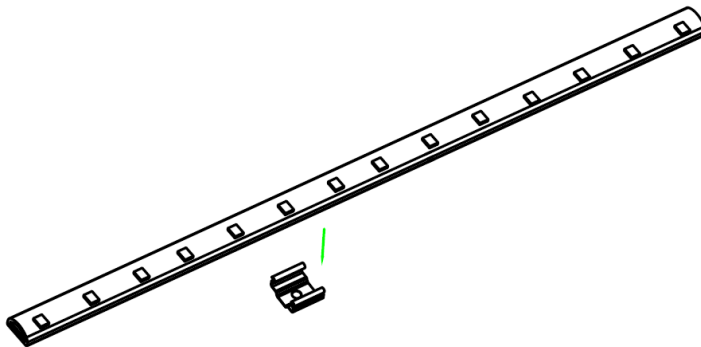
- Surface Mounting Clip: LED-TO24-C1, place the outdoor tape against the surface and attach the mounting clip using screw to hold the mounting and clips together.



- Edge Mounting Clip: LED-TO24-C2, place the outdoor tape against the surface and attach the mounting clip using screw to hold the mounting and clips together.



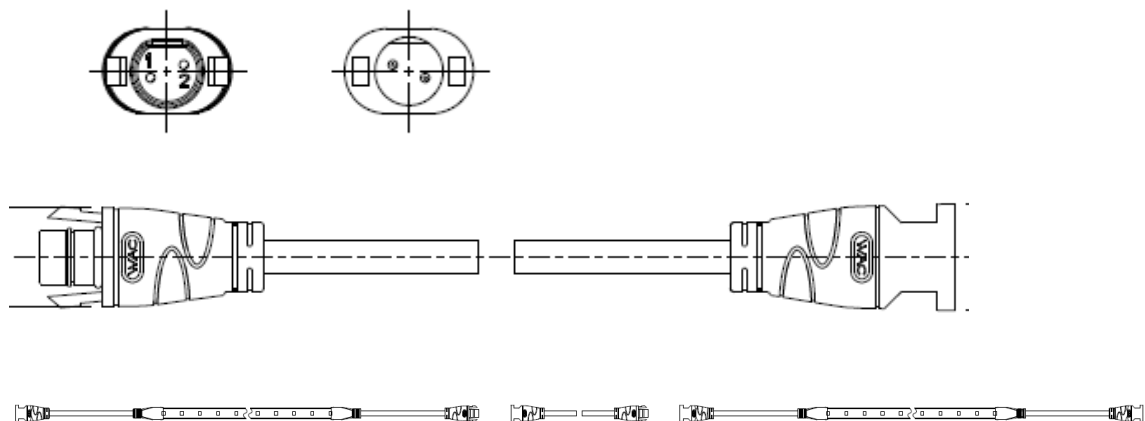
- Underside Mounting Clip: T24-WE-C3, Attach the mounting clip to the surface using screw and push the tape in. Outdoor tape will be snapped lock in the clip.



7. Joining between tapes:

- Joining tape together (If necessary), the following accessories can be used to join between tapes section depending on your application:

InvisiLED Outdoor Joiner Cable (T24-WE-IC) – the female and male connector have an edge marking on the top. Making sure to match the terminal correctly before pushing-in or looking at the WAC Logo and align it on the same side before pushing-in.

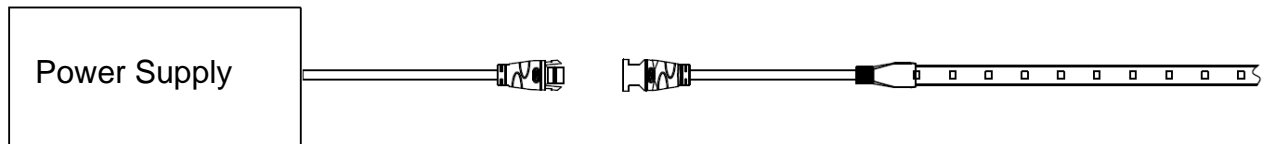


8. Connect electrical power feed wires to the outdoor tape.

- Using IP67 WAC Outdoor Rated Power (PS-24DC-U96R-WE): the female and male connector have an edge marking on the top. Making sure to match the terminal correctly before pushing-in.

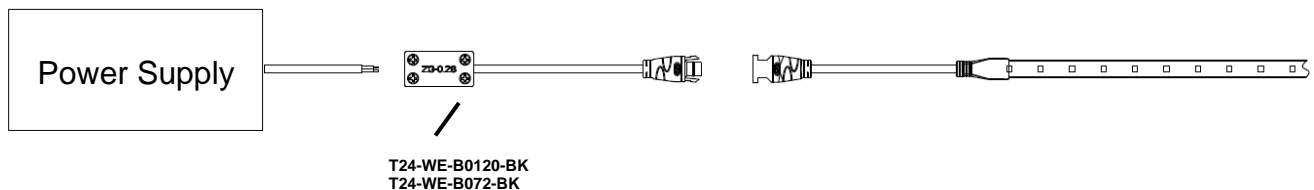
Hardwire:

- Outdoor 24VDC class 2 output remote power supply must be installed away from any heat sources and it must be accessible for service.
- Outdoor 24VDC class 2 output remote power supply is UL listed.



- Using WAC Indoor Power Supply (PS-24DC-U60R-SP, PS-24DC-U96R-SP, PS-24DC-U288R-SP): the following accessory is need: InvisiLED Outdoor Lead Wire (T24-WE-B012-BK or T24-WE-B072-BK) and Low Voltage Wiring Box (LED-T-B) to connect the outdoor tape to an indoor power supply.

Indoor Power Supply Output	T24-WE-B012/072 Cable
RED	RED
BLACK	BLACK

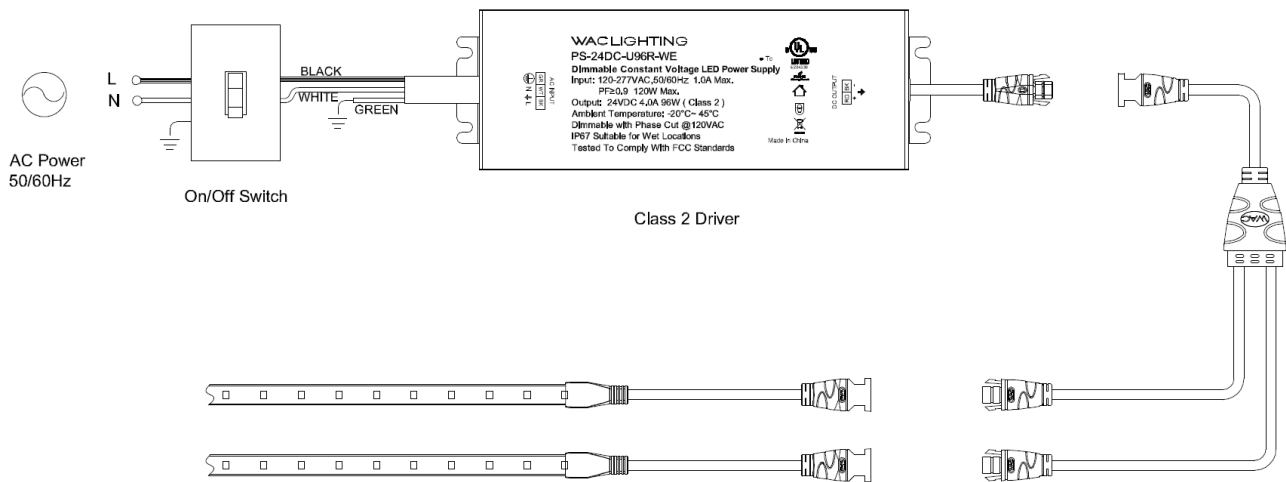


Hard Wire:

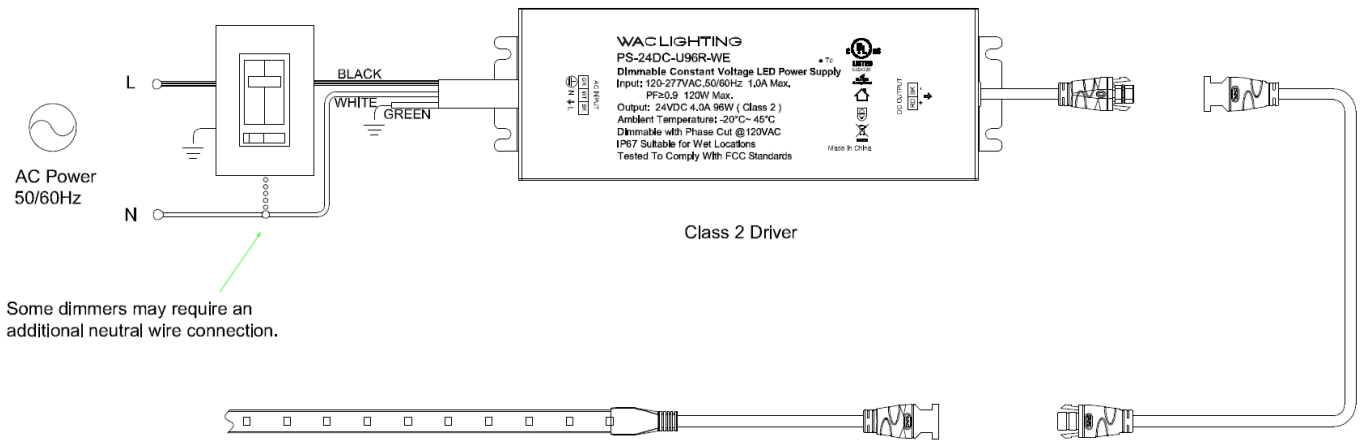
- The power supply box has a separate line voltage, and low voltage wiring compartments.
- Trade size knock out are provided on both compartments. Connect building wires to the same color power supply wires with wire nuts or UL certified electrical connector.

## SYSTEM DIAGRAM:

### ON/OFF Switch System



### TRIAC/MLV/ELV Dimmer Control System



**CAUTION: InvisiLED Outdoor Tape light will not be able to dim with other brands power supply. Using only designed power supply to achieve best dimming result.**