

INSTALLATION INSTRUCTION

Multi Stealth Recessed – New Construction HSG

R1GNT, R1GNTA, R1GNL, R1GNLA



WARNING

IMPORTANT: NEVER attempt to do any work without shutting off the electricity.

- Read all instructions before installing.
- System is intended for installation by a qualified electrician in accordance with the National Electrical Code and local regulations.
- Go to the main fuse box, or circuit breaker. Place the main power switch in the "OFF" position and unscrew the fuse(s) or switch "OFF" the circuit breaker switch(es) that control the power to the fixture or room that you are working on.
- Place the wall switch in the "OFF" position.

AVERTISSEMENT

IMPORTANT: Coupez l'électricité avant TOUTE manipulation.

- Lisez toutes les instructions avant d'installer.
- Système est destiné à être installé par un électricien qualifié en conformité avec le code national de l'électricité et les règlements locaux.
- Accédez au panneau central de disjoncteurs ou de fusibles de votre demeure et placez l'interrupteur principal en position d'arrêt (« OFF »).
- Placez l'interrupteur mural en position d'arrêt (« OFF »).

CAUTION

All parts must be used as indicated in these instructions. Do not substitute any parts, leave parts out, or use any parts that are worn out or broken. Failure to follow this instruction could invalidate the ETL/cETL listing of this fixture.

OVERVIEW:

Housing models below are New Construction, Airtight IC:

Trimmed: R1GNT02 / R1GNTA02, R1GNT04 / R1GNTA04, R1GNT06 / R1GNTA06, R1GNT08 / R1GNTA08

Trimless: R1GNL02 / R1GNLA02, R1GNL04 / R1GNLA04, R1GNL06 / R1GNLA06, R1GNL08 / R1GNLA08

Housing models below are New Construction, Airtight Non-IC:

Trimmed: R1GNT12 / R1GNTA12

Trimless: R1GNL12 / R1GNLA12

Each housing requires a trim for a finished look. Refer to specification sheets for compatible trim options.

SPECIFICATIONS	
Input:	120-277V, 50/60Hz
Dimming:	ELV/TRIAC (120V Only) / 0-10V
Ceiling Thickness:	1/2" up to 1 1/2" for Compatible Trims

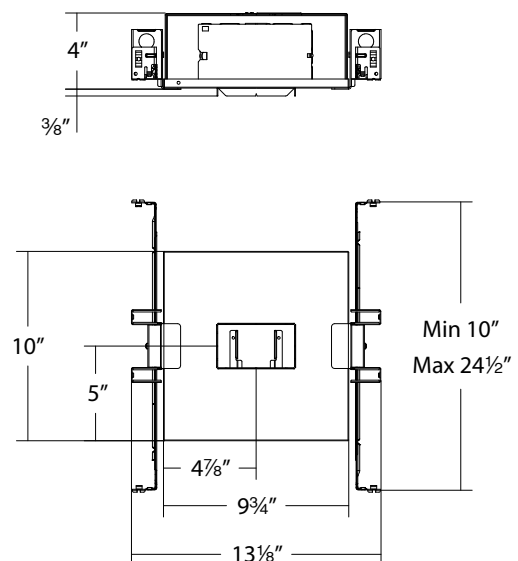
IMPORTANT:

HOUSING-TRIM COMPATIBILITY		
TRIM TYPE	R1GNT/R1GNL	R1GNTA/R1GNLA
Downlight (R1GD)	Yes	No
Wall Wash (R1GW)	Yes	No
Adjustable (R1GA)	No	Yes

R1GNTA/R1GNLA housings have a larger aperture than **R1GNT/R1GNL** models to accommodate adjustable trims. Be sure to locate the housing installation appropriately.

Reference **TABLE 1** on **PAGE 5** to confirm the appropriate cut out detail associated with respective housings.

R1GNT02 / R1GNTA02 & R1GNL02 / R1GNLA02



wacighting.com
Phone (800) 526.2588
Fax (800) 526.2585

Headquarters/Eastern Distribution Center
44 Harbor Park Drive
Port Washington, NY 11050

Central Distribution Center
1600 Distribution Ct
Lithia Springs, GA 30122

Western Distribution Center
1750 Archibald Avenue
Ontario, CA 91760

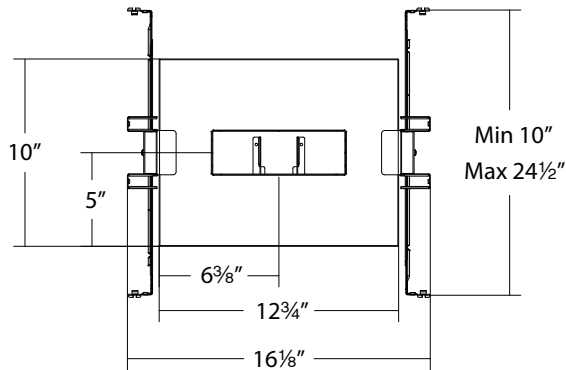
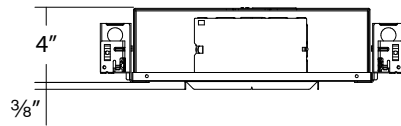
INSTALLATION INSTRUCTION

Multi Stealth Recessed – New Construction HSG

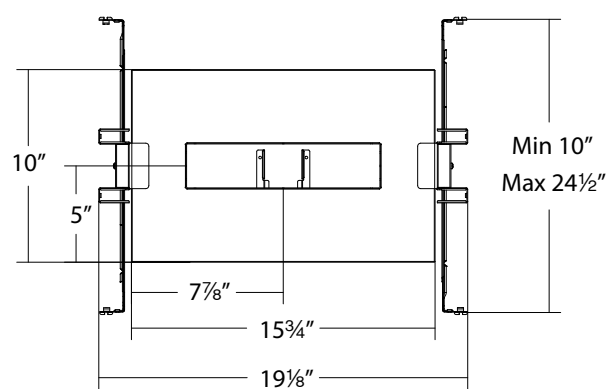
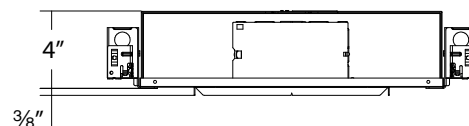
R1GNT, R1GNTA, R1GNL, R1GNLA



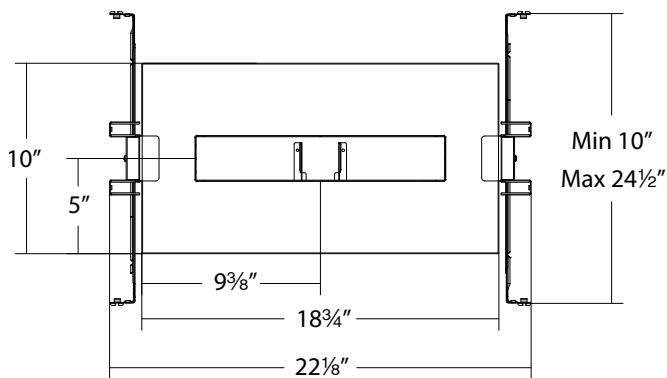
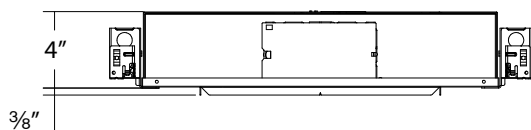
R1GNT04 / R1GNTA04 & R1GNL04 / R1GNLA04



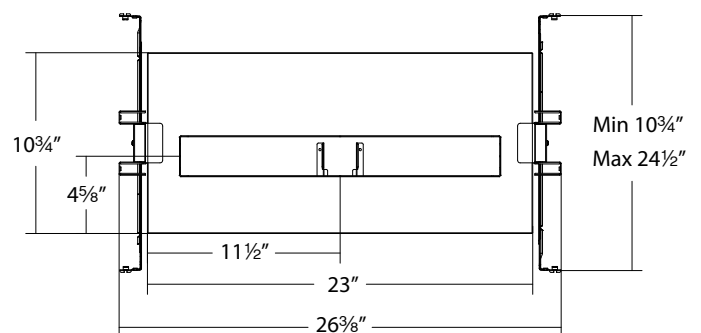
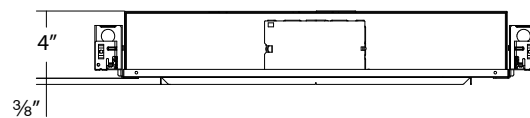
R1GNT06 / R1GNTA06 & R1GNL06 / R1GNLA06



R1GNT08 / R1GNTA08 & R1GNL08 / R1GNLA08



R1GNT12 / R1GNTA12 & R1GNL12 / R1GNLA12



waclighting.com
Phone (800) 526.2588
Fax (800) 526.2585

Headquarters/Eastern Distribution Center
44 Harbor Park Drive
Port Washington, NY 11050

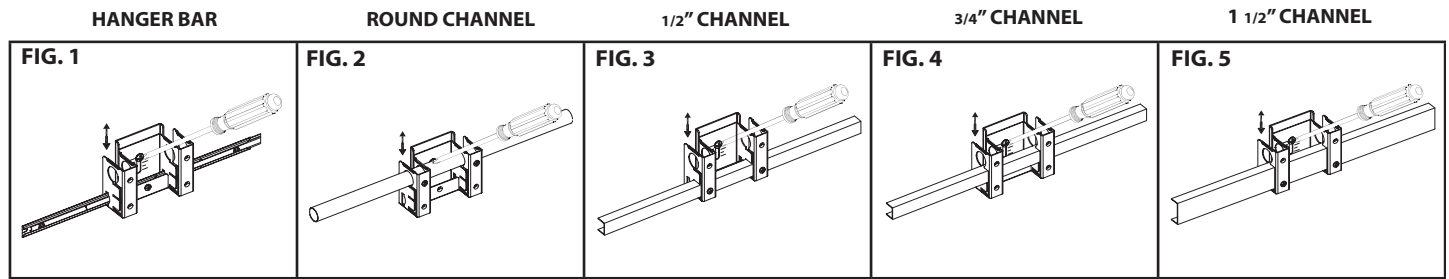
Central Distribution Center
1600 Distribution Ct
Lithia Springs, GA 30122

Western Distribution Center
1750 Archibald Avenue
Ontario, CA 91760

INSTALLATION INSTRUCTION
Multi Stealth Recessed – New Construction HSG
 R1GNT, R1GNTA, R1GNL, R1GNLA

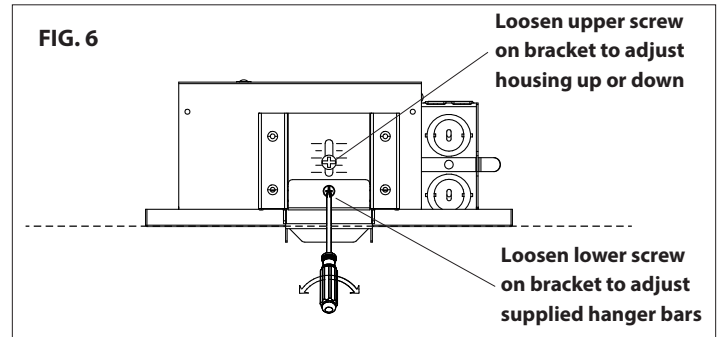


HOUSING INSTALLATION (TRIMMED):



The housing features mounting brackets that can be used with hanger bars or various channel supports (See **FIG. 1-5**). Adjust the brackets to proper height by loosening the screws such that the bottom of housing is flush to top of finished ceiling plane (See **FIG. 6**). Retighten screws securely.

Slide the male and female hanger bars or other channel supports through the appropriate holes in the brackets.

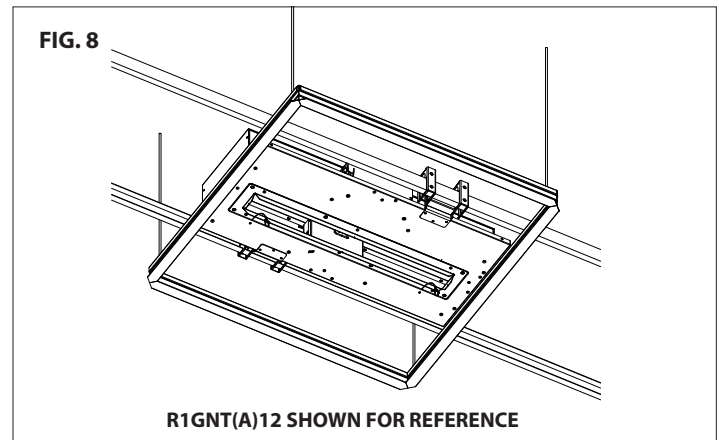
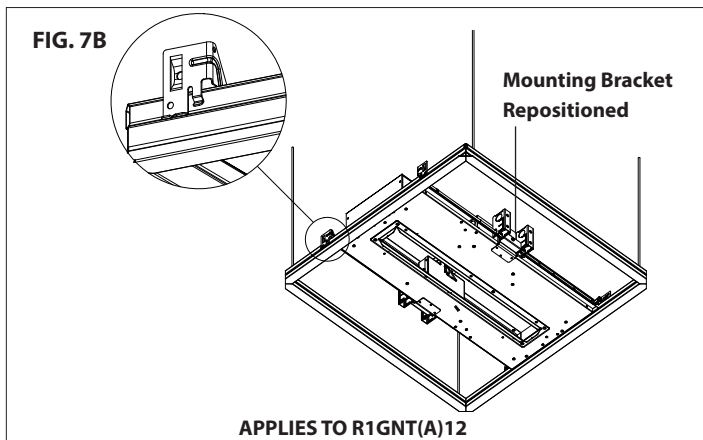
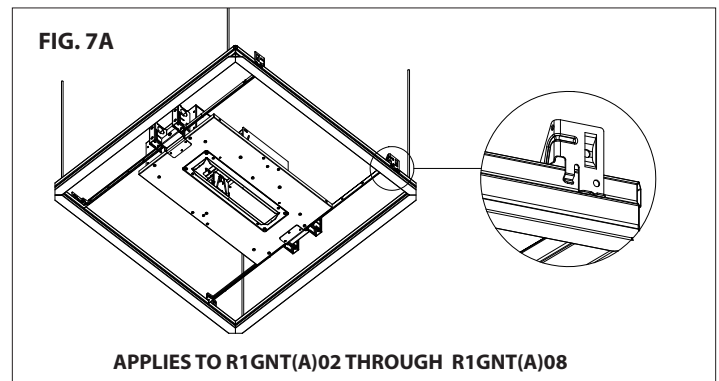


A. FOR HANGER BAR INSTALLATION ON GRID:

1. Hanger bars are notched on the ends to fit over "T" bars in the suspended ceilings supported with tie wires (by others) to upper ceiling structure (See **FIG. 7A**).

For R1GNT12 /R1GNTA12 housings, the mounting bracket is to be repositioned to the long side of the housing, at its center and used with supplied hanger bars (See **FIG. 7B**). This is achieved by undoing and reinstalled the three Philips screws that hold the mounting bracket in place.

Alternatively, other support channels may be used to support the housings (See **FIG. 2-5 & 8**). Once installed, the housing height may be adjusted as previously shown.



waclighting.com
 Phone (800) 526.2588
 Fax (800) 526.2585

Headquarters/Eastern Distribution Center
 44 Harbor Park Drive
 Port Washington, NY 11050

Central Distribution Center
 1600 Distribution Ct
 Lithia Springs, GA 30122

Western Distribution Center
 1750 Archibald Avenue
 Ontario, CA 91760

INSTALLATION INSTRUCTION

Multi Stealth Recessed – New Construction HSG

R1GNT, R1GNTA, R1GNL, R1GNLA



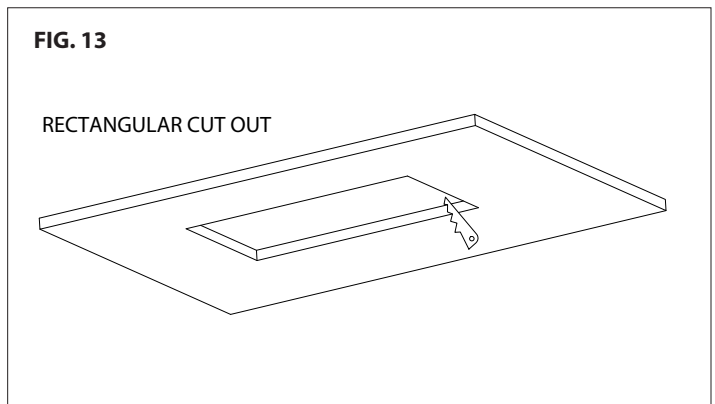
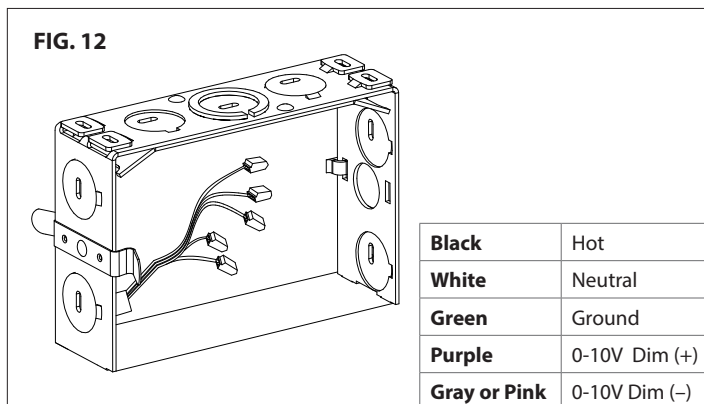
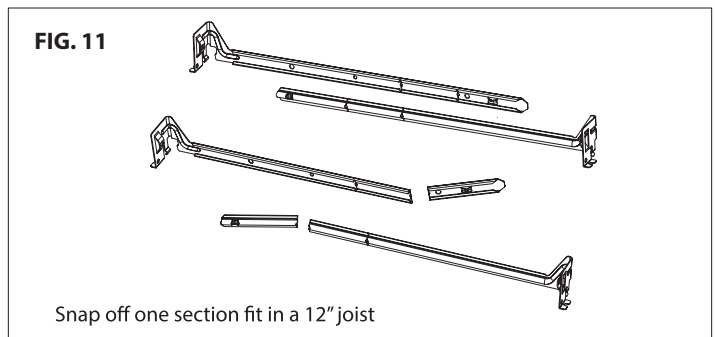
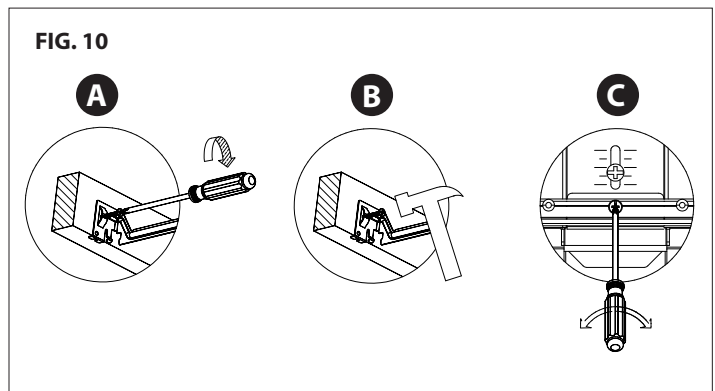
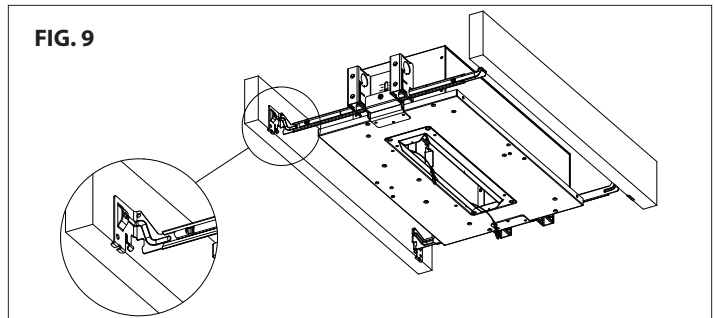
B. FOR HANGER BAR INSTALLATION ON JOISTS:

1. Install the hanger bar and housing assembly such that the lip of the hanger bar rests on the bottom surface of the joist (See **FIG. 9**).
2. Hanger bars include a captive mounting “screw-nail” for ease of installation. Align the bottom of the hanger bar with the bottom of the wood joist. Secure the “screw-nail” on each end by screwdriver (See **FIG. 10A**), or by hammer (See **FIG. 10B**).
3. Slide fixture housing along bar hangers into desired location. Use locking screws to secure (See **FIG. 10C**).
4. To shorten hanger bars to fit in a 12” joist, snap off one section of the hanger bars (See **FIG. 11**).
5. Remove spring latched fixture junction box door and connect fixture wires to building wires: Insert each supply wire into appropriate junction box wire connector. This fixture features electronic low voltage (ELV), TRIAC, or 0-10V dimming capabilities (See **FIG. 12**). To utilize ELV or TRIAC, wire black (line hot), white (line neutral) and green (ground) in accordance to dimmer specifications.

To utilize 0-10V dimming, wire purple (dim+), gray or pink (dim-), black (line hot), white (line neutral) and green (ground) in accordance to dimmer specifications.

When not using a dimmer, connect the black fixture wire to hot, white fixture wire to neutral, and green fixture wire to ground. Leave all other wires capped individually.

6. At the point of finishing the installation, create a rectangular cutout in the ceiling for the appropriate trim (See **FIG. 13**). Refer to the table on the next page for cutout dimensions and compatible trims.
7. Refer to installation instructions for appropriate trims to complete the installation.



INSTALLATION INSTRUCTION
Multi Stealth Recessed – New Construction HSG
R1GNT, R1GNTA, R1GNL, R1GNLA



TABLE 1: CEILING CUTOUT AND TRIM COMPATIBILITY

INSTALLATION	HOUSING MODEL	HOUSING DESCRIPTION	TRIM MODEL	TRIM DESCRIPTION	CUTOUT DIMENSION
IC	R1GNT02	2 CELL NC HSG (TRIM)	R1GDT02	2 CELL DOWNLIGHT (TRIM)	3 3/4" x 2 1/16"
	R1GNL02	2 CELL NC HSG (TRIMLESS)	R1GDL02	2 CELL DOWNLIGHT (TRIMLESS)	
	R1GNTA02	2 CELL NC HSG ADJ (TRIM)	R1GAT02	2 CELL ADJUSTABLE (TRIM)	4 3/16" x 2 9/16"
	R1GNLA02	2 CELL NC HSG ADJ (TRIMLESS)	R1GAL02	2 CELL ADJUSTABLE (TRIMLESS)	
IC	R1GNT04	4 CELL NC HSG (TRIM)	R1GDT04	4 CELL DOWNLIGHT (TRIM)	6 3/4" x 2 1/16"
			R1GWT04	4 CELL WALL WASH (TRIM)	
	R1GNL04	4 CELL NC HSG (TRIMLESS)	R1GDL04	4 CELL DOWNLIGHT (TRIMLESS)	
			R1GWL04	4 CELL WALL WASH (TRIMLESS)	
	R1GNTA04	4 CELL NC HSG ADJ (TRIM)	R1GAT04	4 CELL ADJUSTABLE (TRIM)	7 3/16" x 2 1/2"
	R1GNLA04	4 CELL NC HSG ADJ (TRIM)	R1GAL04	4 CELL ADJUSTABLE (TRIMLESS)	
IC	R1GNT06	6 CELL NC HSG (TRIM)	R1GDT06	6 CELL DOWNLIGHT (TRIM)	9 3/4" x 2 1/16"
	R1GNL06	6 CELL NC HSG (TRIMLESS)	R1GDL06	6 CELL DOWNLIGHT (TRIMLESS)	
	R1GNTA06	6 CELL NC HSG ADJ (TRIM)	R1GAT06	6 CELL ADJUSTABLE (TRIM)	10 3/16" x 2 1/2"
	R1GNLA06	6 CELL NC HSG ADJ (TRIMLESS)	R1GAL06	6 CELL ADJUSTABLE (TRIMLESS)	
IC	R1GNT08	8 CELL NC HSG (TRIM)	R1GDT08	8 CELL DOWNLIGHT (TRIM)	12 11/16" x 2 1/16"
			R1GWT08	8 CELL WALL WASH (TRIM)	
	R1GNL08	8 CELL NC HSG (TRIMLESS)	R1GDL08	8 CELL DOWNLIGHT (TRIMLESS)	
			R1GWL08	8 CELL WALL WASH (TRIMLESS)	
	R1GNTA08	8 CELL NC HSG ADJ (TRIM)	R1GAT08	8 CELL ADJUSTABLE (TRIM)	13 1/4" x 2 1/2"
	R1GNLA08	8 CELL NC HSG ADJ (TRIMLESS)	R1GAL08	8 CELL ADJUSTABLE (TRIMLESS)	
NON-IC	R1GNT12	12 CELL NC HSG (TRIM)	R1GDT12	12 CELL DOWNLIGHT (TRIM)	18 5/8" x 2 1/16"
			R1GWT12	12 CELL WALL WASH (TRIM)	
	R1GNL12	12 CELL NC HSG (TRIMLESS)	R1GDL12	12 CELL DOWNLIGHT (TRIMLESS)	
			R1GWL12	12 CELL WALL WASH (TRIMLESS)	
	R1GNTA12	12 CELL NC HSG ADJ (TRIM)	R1GAT12	12 CELL ADJUSTABLE (TRIM)	19 5/16" x 2 1/2"
	R1GNLA12	12 CELL NC HSG ADJ (TRIMLESS)	R1GAL12	12 CELL ADJUSTABLE (TRIMLESS)	

Abbreviations:

NC - New Construction

HSG - Housing

ADJ - Adjustable

waclighting.com
Phone (800) 526.2588
Fax (800) 526.2585

Headquarters/Eastern Distribution Center
44 Harbor Park Drive
Port Washington, NY 11050

Central Distribution Center
1600 Distribution Ct
Lithia Springs, GA 30122

Western Distribution Center
1750 Archibald Avenue
Ontario, CA 91760

INSTALLATION INSTRUCTION

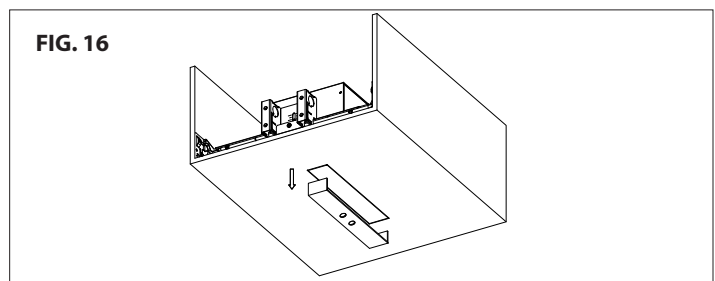
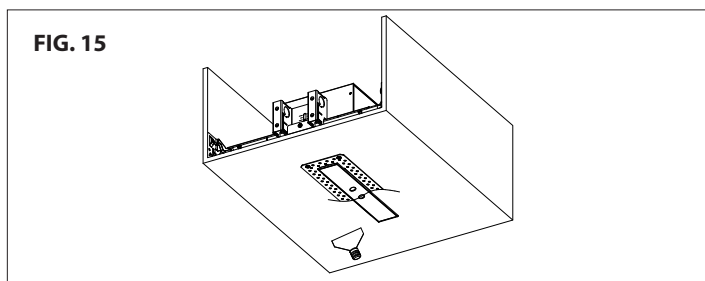
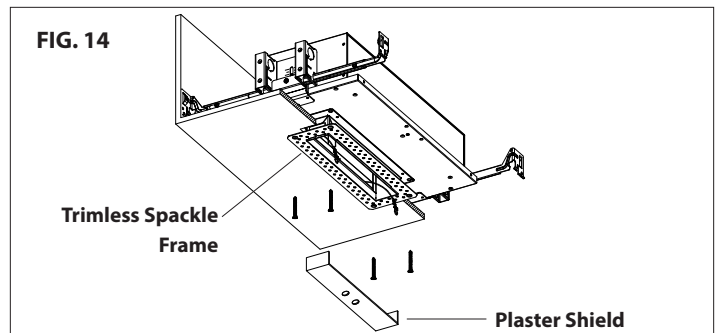
Multi Stealth Recessed – New Construction HSG

R1GNT, R1GNL

WAC

HOUSING INSTALLATION (TRIMLESS):

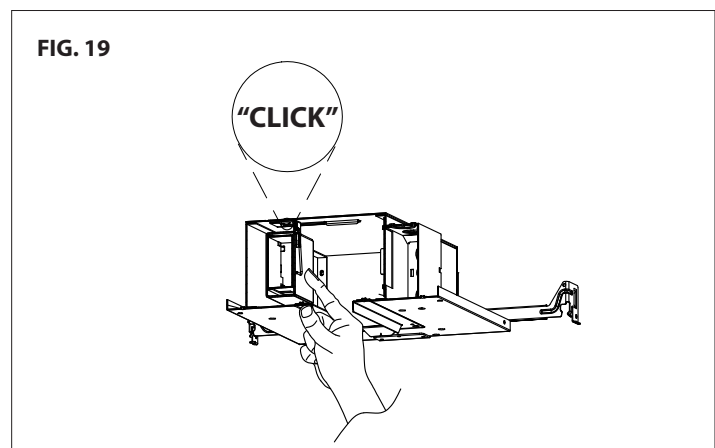
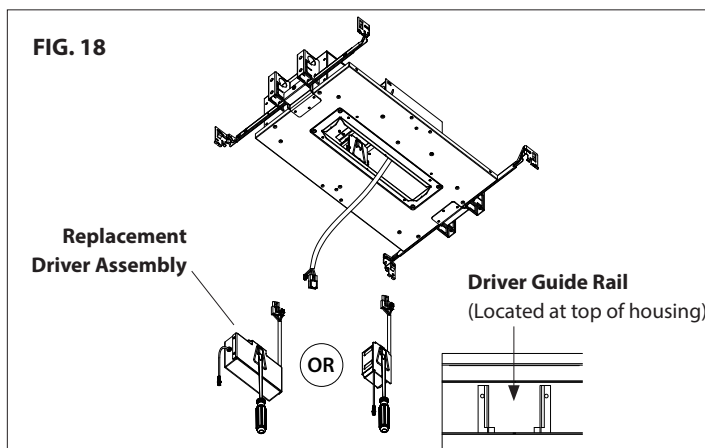
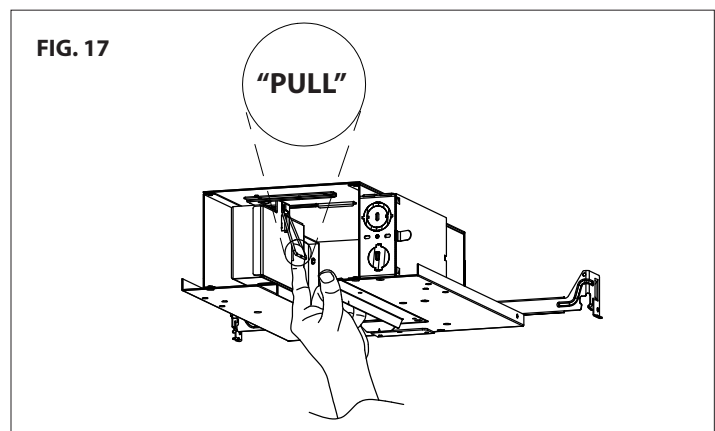
1. Refer to and complete previous STEPS 1-5 on PAGE 4. Secure the trimless spackle frame (provided with the trimless light engine assembly) to the housing using the four screws provided (See FIG. 14). **NOTE:** Six screws are required for the R1GNL12 housing.
2. Insert the plaster shield into opening of housing. Apply plaster or spackle over trimless spackle frame and sand surface when dry for finished look. Remove the plaster shield when finishing is complete. (See FIG. 15-16)
3. Refer to installation instructions for appropriate trims to complete the installation.



DRIVER REPLACEMENT:

To replace the driver, first remove trim from housing aperture:

1. To remove the current driver assembly, use a finger, and grab the driver pull tab to slide it towards the opening of the housing (See FIG. 17). Undo the input quick disconnect wiring.
2. To install the replacement driver assembly, use a flat head screwdriver to hook onto the replacement driver bracket and push it through the housing opening (See FIG. 18). Make appropriate quick disconnect wiring connections for input wiring.
3. Push the driver assembly tab to the driver guide rails and proceed to slide it inward to the driver cradle, until an audible "CLICK" is heard (See FIG. 19).



wacighting.com
Phone (800) 526.2588
Fax (800) 526.2585

Headquarters/Eastern Distribution Center
44 Harbor Park Drive
Port Washington, NY 11050

Central Distribution Center
1600 Distribution Ct
Lithia Springs, GA 30122

Western Distribution Center
1750 Archibald Avenue
Ontario, CA 91760